



OEM7[®]
Installation and Operation
User Manual

OEM7 Installation and Operation User Manual

Publication Number: OM-20000168

Revision Level: v1

Revision Date: February 2017

Firmware Version: 7.200 / OM7MR0200RN0000

To download the latest firmware and/or software visit: www.novatel.com/support/firmware-downloads.

Warranty

NovAtel Inc. warrants that its GNSS products are free from defects in materials and workmanship, subject to the conditions set forth on our web site: www.novatel.com/products/warranty/ and for the following time periods:

OEM7® Receivers	One (1) Year
GNSS Antenna Series	One (1) Year
Cables and Accessories	Ninety (90) Days
Software Warranty	One (1) Year

Return Instructions

To return products, refer to the instructions found at: www.novatel.com/warranty-return.

Proprietary Notice

Information in this document is subject to change without notice and does not represent a commitment on the part of NovAtel Inc. The software described in this document is furnished under a licence agreement or non-disclosure agreement. The software may be used or copied only in accordance with the terms of the agreement. It is against the law to copy the software on any medium except as specifically allowed in the license or non-disclosure agreement.

The information contained within this manual is believed to be true and correct at the time of publication.

ALIGN, SPAN, STEADYLINE and NovAtel are registered trademarks of NovAtel Inc.

OEM7, OEM719, OEM729, OEM7700, GLIDE, NovAtel CORRECT, RTK ASSIST and NovAtel Connect are trademarks of NovAtel Inc.

All other brand names are trademarks of their respective holders.

© Copyright 2017 NovAtel Inc. All rights reserved.

Unpublished rights reserved under International copyright laws.

Table of Contents

OEM7®Installation and OperationUser Manual

OEM7 Installation and Operation User Manual	2
Warranty	2
Return Instructions	2
Proprietary Notice	2

Notices

FCC	8
Industry Canada	8
European Union (EU)	8
WEEE	8
RoHS	9
REACH	9
Ethernet Port	9
Lightning Protection Installation and Grounding Procedure	9
Conventions	11

Customer Support

NovAtel Knowledge Base	12
Before Contacting Customer Support	12
Contact Information	12

Chapter 1 Introduction

1.1 Related Documents and Information	14
1.2 OEM7 Receiver System Overview	14
1.2.1 OEM7 Family Card	15
1.2.2 Enclosure	15
1.2.3 GNSS Antenna	15
1.2.4 Power Supply	15
1.2.5 Optional External Frequency Reference	16
1.2.6 Data Communications Equipment	16
1.2.7 OEM719 Receiver Overview	16
1.2.8 OEM729 Receiver Overview	16
1.2.9 OEM7700 Receiver Overview	17

Chapter 2 Installation of OEM7 Family Receiver Cards

2.1 Shipping Box	19
2.2 Additional Equipment Required	19
2.3 Selecting a GNSS Antenna	19
2.4 Choosing a Coaxial Cable	20
2.5 Power Supply Requirements for Receiver Cards	20
2.6 Card Installation Overview	21
2.6.1 Electrostatic Discharge (ESD) Precautions	21
2.7 Mounting the Printed Circuit Board	21
2.7.1 Planning the Mount Location	22
2.7.2 Board to Board Spacing	22
2.7.3 Mounting Options	23
2.7.4 Thermal dissipation	27
2.7.5 Vibration	27

2.8	Preparing the Data, Signal and Power Interface	27
2.9	Mounting the GNSS Antenna	31
2.10	Connecting the Antenna to the Receiver Card	32
2.10.1	Antenna LNA Power	32
2.11	Applying Power to the Receiver Card	33
2.12	Connecting Data Communications Equipment	33
2.12.1	Serial Ports	33
OEM719	Multiplexed Port	34
OEM729	RS-422 Port	35
OEM729	Multiplexed Port	35
OEM7700	Multiplexed Port	36
2.12.2	USB Ports	36
2.12.3	Ethernet Ports	38
2.12.4	SPI Ports	38
2.13	Test that the Receiver is Working	39
2.14	Installing NovAtel PC Utilities	39

Chapter 3 OEM7 Receiver Operation

3.1	Communications with the Receiver	41
3.1.1	Serial Ports	41
3.1.2	Communicating using a Remote Terminal	42
3.1.3	Communicating using a Computer	43
3.2	Getting Started	43
3.2.1	Starting the Receiver	43
3.2.2	Communicating with the Receiver	43
3.3	Transmitting and Receiving Corrections	45
3.3.1	Base Station Configuration	46
3.3.2	Rover Station Configuration	47
3.4	Configuration Notes	47
3.5	ALIGN Heading Master and Remote Configurations	48
3.5.1	Automatic Set Up for Direct-Wire Connection between Master and Rover via COM2	48
3.5.2	Manual Set Up via COM2	48
3.6	GLIDE	49
3.6.1	Dual-Frequency GLIDE	49
3.6.2	PDP and GLIDE Configurations	49
3.7	STEADYLINE®	50
3.7.1	Maintain	50
3.7.2	Transition	51
3.7.3	Prefer Accuracy	51
3.7.4	UAL	52
3.8	Enabling SBAS Positioning	53
3.9	Enabling NovAtel CORRECT with PPP	53
3.9.1	TerraStar Subscriptions	54
3.9.2	Veripos Subscriptions	55
3.10	RTK ASSIST	55
3.11	Transferring Time Between Receivers	56
3.11.1	GPS to Receiver Time Synchronization	56
3.11.2	Time Definitions	56
3.11.3	Procedures to Transfer Time	57
3.12	Interference Toolkit	61
3.12.1	Monitoring GNSS Signals	61
Example:	61

3.12.2	Monitoring Signals Using a Command Line	61
	Example:	62
	Example:	62
3.12.3	Monitoring Signals Using NovAtel CONECT 2.0	64
3.12.4	Configure Filters	66
3.12.5	Remove Interference Signals	66
3.13	Logging and Retrieving Data Overview	69
3.14	Additional Features and Information	69
3.14.1	Strobes	69
3.14.2	Status Indicator	69
3.14.3	External Oscillator	70

Chapter 4 Built-In Status Tests

4.1	Receiver Status Word	71
4.2	Error Strobe Signal	72
4.3	RXSTATUSEVENT Log	72
4.4	RXSTATUS Log	72
4.4.1	Status Word	72
4.4.2	Error Word	73
4.4.3	Status Code Arrays	74
4.4.4	Receiver Status Code	74
4.4.5	Auxiliary Status Codes	74
4.4.6	Set and Clear Mask for all Status Code Arrays	75
4.5	Status LED	75

Chapter 5 Ethernet Configuration

5.1	Required Hardware	77
5.2	Static IP Address Configuration	77
5.2.1	Static IP Address Configuration—Receiver	78
5.2.2	Static IP Address Configuration—Windows 7	79
5.2.3	Confirming Ethernet Setup	80
5.3	Dynamic IP Address Configuration	80
5.4	Base/Rover Configuration through Ethernet Connectivity	82
5.5	Large COM Port Data Throughput	83
5.6	NTRIP Configuration	84

Chapter 6 CAN Bus

6.1	Default Configuration	87
6.2	Configuring the CAN Bus	87
6.2.1	Configuration Notes	88
6.2.2	Example of Enabling the CAN Bus	88
6.2.3	Example of Modifying the CAN Bus Parameters	88
6.2.4	Example of Detecting an Address Claim Failure and Reconfiguring	88
6.2.5	Address Claim Procedure	89
6.3	NMEA2000 Logging	89
6.3.1	Example of NMEA2000 Log Configuration	90
6.3.2	Example of Custom PGN Configuration	90
6.4	Corrections Over CAN	90
6.4.1	Example for Receiving Corrections from Any Source	91
6.4.2	Example for Transmitting Corrections to 0x1C Node	91
6.5	NovAtel Messages Over CAN	91
6.6	Configuring OEM7 Receivers to Use OEM6 CAN Settings	92

6.6.1	Configuration on OEM6	92
6.6.2	Configuration on OEM7	92
Chapter 7 Troubleshooting		
7.1	Examining the RXSTATUS Log	94
7.2	Examining the AUX1 Status Word	97
7.3	Safe Mode	98
7.3.1	Reset Loop Detection	98
7.3.2	Recovery Steps	98
Chapter 8 NovAtel Firmware and Software		
8.1	Firmware Updates and Model Upgrades	99
8.1.1	Firmware Updates	99
8.1.2	Model Upgrades	99
8.2	Authorization Code	100
8.3	Updating or Upgrading Using the WinLoad Utility	101
8.3.1	Transferring Firmware Files	101
8.3.2	Using the WinLoad Utility	101
8.4	Updating Using SoftLoad Commands	103
8.4.1	SoftLoad Commands and Logs	103
8.4.2	Working With S-Records	104
8.4.3	Sending Firmware Data	105
8.4.4	SoftLoad Update Method	106
8.4.5	SoftLoad Errors	108
8.5	Upgrading Using the AUTH Command	109
8.5.1	Upgrade Procedure	109
APPENDIX A OEM719 Technical Specifications		
A.1	OEM719 Performance Specifications	111
A.2	OEM719 Mechanical Specifications	113
A.3	OEM719 Electrical and Environmental Specifications	120
A.4	OEM719 Data Communication Specifications	122
A.5	OEM719 Strobe Specifications	124
A.6	OEM719 Interface Connector	126
A.6.1	P1701 Main Connector 20-Pin Header	126
APPENDIX B OEM729 Technical Specifications		
B.1	OEM729 Performance Specifications	131
B.2	OEM729 Mechanical Specifications	133
B.3	OEM729 Electrical and Environmental Specifications	136
B.4	OEM729 Data Communication Specifications	138
B.5	OEM729 Strobe Specifications	140
B.6	OEM729 Interface Connectors	142
B.6.1	P1802 Main Connector 24-Pin Header	142
B.6.2	P1803 Expansion Connector 16-Pin Header	147
APPENDIX C OEM7700 Technical Specifications		
C.1	OEM7700 Performance Specifications	151
C.2	OEM7700 Mechanical Specifications	153
C.3	OEM7700 Electrical and Environmental Specifications	156
C.4	OEM7700 Data Communication Specifications	158
C.5	OEM7700 Strobe Specifications	160

C.6 OEM7700 Interface Connector162
C.6.1 P2001 Main Connector 60-Pin Socket 162

Receiver Card Interface Examples

C.1 EVENT_IN, EVENT_OUT and PPS Signal Protection173
C.2 Position Valid (PV) LED Driver175
C.3 Communication Ports176
C.4 CAN Controller Ports177
C.5 USB Interface178
C.6 Ethernet Port180

APPENDIX D Importance of Antenna Selection

APPENDIX E Accessories and Replacement Parts

E.1 Manufacturers’ Part Numbers187

APPENDIX F Electrostatic Discharge (ESD) Practices

F.1 Handling ESD Sensitive Devices 188
F.2 Prime Static Accumulators 189
F.3 Handling Printed Circuit Boards 189

Notices

The following notices apply, as appropriate, to the OEM7 family products.



Changes or modifications to this equipment, not expressly approved by NovAtel Inc., could void the user's authority to operate this equipment.

FCC

The devices covered by this manual comply with part 15 of the FCC Rules. Operation is subject to the following two conditions: (1) this device may not cause harmful interference, and (2) this device must accept any interference received, including interference that may cause undesired operation.

Note:

This equipment has been tested and found to comply with the limits for a Class B digital device, pursuant to part 15 of the FCC Rules. The Class B limits are designed to provide reasonable protection against harmful interference in a residential installation. The equipment listed generates, uses, and can radiate radio frequency energy and, if not installed and used in accordance with the instructions, may cause harmful interference to radio communications. However, there is no guarantee that interference will not occur in a particular installation. If this equipment does cause harmful interference to radio or television reception, which can be determined by turning the equipment off and on, the user is encouraged to try to correct the interference by one or more of the following measures:

- Reorient or relocate the receiving antenna
- Increase the separation between the equipment and the receiver
- Connect the equipment to an outlet on a circuit different from that to which the receiver is connected
- Consult the dealer or an experienced radio/TV technician for help

Industry Canada

OEM7 Class B digital apparatus comply with Canadian ICES-003.

OEM7 appareils numérique de la classe B sont conforme à la norme NMB-003 du Canada.

European Union (EU)


Hereby, NovAtel Inc. declares that the radio equipment type OEM7 GNSS receiver is in compliance with Directive 2014/53/EU

The full text of the EU Declaration of Conformity may be obtained from the NovAtel website at: www.novatel.com/products/compliance/eu-declaration-of-conformity/.

WEEE

If you purchased your OEM7 family product in Europe, please return it to your dealer or supplier at the end of life. The objectives of the European Community's environment policy are, in particular, to preserve, protect and improve the quality of the environment, protect human health

and utilise natural resources prudently and rationally. Sustainable development advocates the reduction of wasteful consumption of natural resources and the prevention of pollution. Waste Electrical and Electronic Equipment (WEEE) is a regulated area. Where the generation of waste cannot be avoided, it should be reused or recovered for its material or energy. WEEE products

may be recognized by their wheeled bin label (). See www.novatel.com/products/compliance/environmental-compliance/ for more information.

RoHS

The OEM7 GNSS receivers are in conformity with Directive 2011/65/EU of the European Parliament and of the Council of 8 June 2011 on the restriction of the use of certain hazardous substances in electrical and electronic equipment.

REACH

The OEM7 receivers are in compliance with Regulation (EC) No 1907/2006 OF THE EUROPEAN PARLIAMENT AND THE COUNCIL of 18 December 2006 concerning the Registration, Evaluation, Authorization and Restriction of Chemicals (REACH). The Candidate List of Substances of Very High Concern (SVHC) published by the European Chemical Agency (ECHA) is available at <https://echa.europa.eu/candidate-list-table>. Please contact NovAtel Customer Support if you require further information.

Ethernet Port



The Ethernet ports are Safety Extra Low Voltage (SELV) circuits only and are suitable for connection within a building only. Do not connect them to Telephone Network Voltage (TNV) circuits.

Lightning Protection Installation and Grounding Procedure

What is the hazard?

A lightning strike into the ground causes an increase in the earth's potential which results in a high voltage potential between the center conductor and shield of the coaxial cable. This high voltage develops because the voltage surge induced onto the center conductor lags in time behind the voltage surge induced onto the shield.

Hazard Impact

A lightning strike causes the ground potential in the area to rise to dangerous levels resulting in harm to personnel or destruction of electronic equipment in an unprotected environment. It also conducts a portion of the strike energy down the inner conductor of the coaxial cable to the connected equipment.



Only qualified personnel, such as electricians mandated by the governing body in the country of installation, may install lightning protection devices.

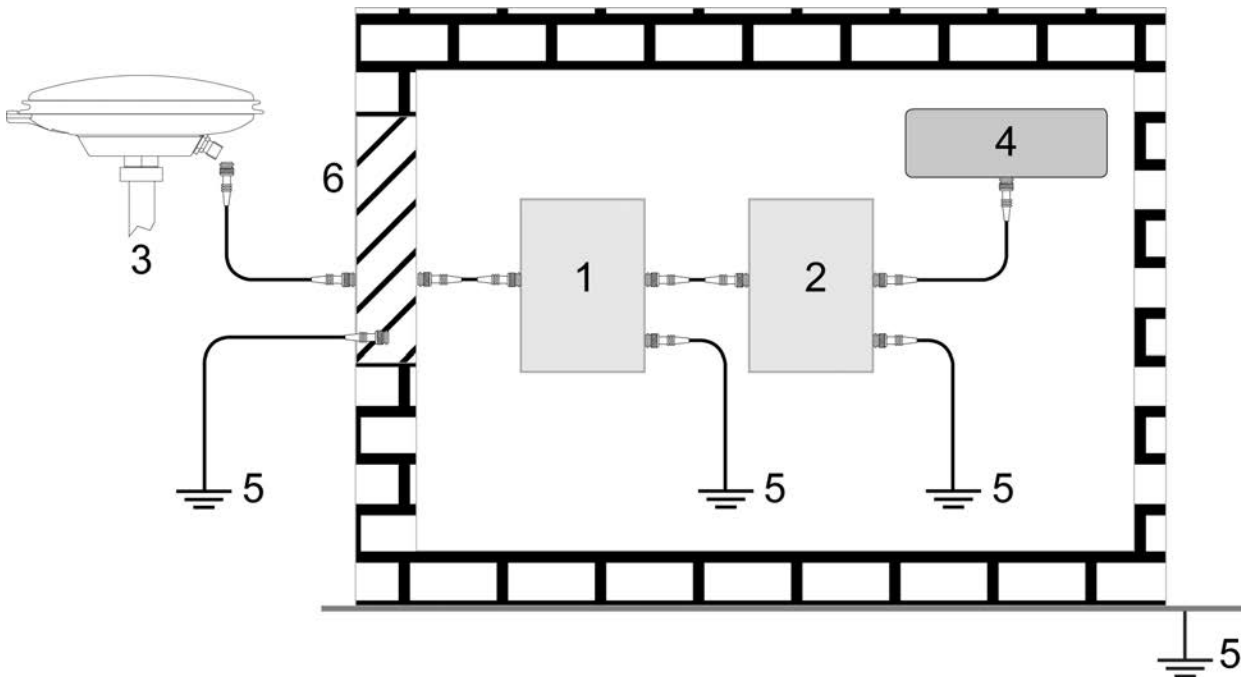
Actions to Mitigate Lightning Hazards

1. Do not install antennas or antenna coaxial cables outside the building during a lightning storm.
2. It is not possible to avoid over voltages caused by lightning, but a lightning protection device may be used to shunt a large portion of the transient energy to the building ground, reducing the over voltage condition as quickly as possible.
3. Primary lightning protection must be provided by the operator/customer according to local building codes as part of the extra building installation.
4. To ensure compliance with clause 7 "Connection to Cable Distribution Systems" of EN 60950-1, Safety for Information Technology Equipment, a secondary lightning protection device must be used for in-building equipment installations with external antennas. The following device has been approved by NovAtel Inc.:

Polyphaser - Surge Arrestor DGXZ+24NFNF-B

If this device is not chosen as the primary lightning protection device, the device chosen must meet the following requirements:

- UL listed, or equivalent, in country of installation (for example, TUV, VDE and so on) for lightning surge protection
 - The primary device must be capable of limiting an incoming surge to 10 kV
5. The shield of the coaxial cable entering the building should be connected at a grounding plate at the building's entrance. The lightning protection devices should have their chassis grounded to the same ground near to the building's entrance.
 6. The primary and secondary lightning protections should be as close to the building's entrance as possible. Where feasible, mount onto the grounding plate itself (refer to the figure below).



Ref #	Description
1	Primary lightning protection device
2	Secondary lightning protection device
3	External antenna
4	GNSS Receiver
5	To ground
6	Grounding plate or grounding point at the building's entrance



Acceptable choices for earth grounds, for central buildings, are:

- Grounded interior metal cold water pipe within five feet (1.5 m) of the point where it enters the building
- Grounded metallic service raceway
- Grounded electrical service equipment enclosure
- Eight-foot grounding rod driven into the ground (only if bonded to the central building ground by #6, or heavier, bonding wire)

These installation instructions are the minimum requirements for receiver and antenna installations. Where applicable, follow the electrical codes for the country of installation. Examples of country codes include:

- **USA** National Electrical Code (NFPA 70)
- **Canada** Canadian Electrical Code (CSA C22)
- **UK** British Standards Institute (BSI 7671)

Conventions

The following conventions are used in this manual:



Information that supplements or clarifies text.



A caution that actions, operation or configuration may lead to incorrect or improper use of the hardware.



A warning that actions, operation or configuration may result in regulatory noncompliance, safety issues or equipment damage.

Customer Support

NovAtel Knowledge Base

If you have a technical issue, visit the NovAtel Support page at www.novatel.com/support. Through the *Support* page, you can contact Customer Support, find papers and tutorials or download current manuals and the latest firmware.

Before Contacting Customer Support

Before you contact NovAtel Customer Support about a software problem, perform the following steps:



If logging data over an RS-232 serial cable, ensure that the configured baud rate can support the data bandwidth (see **SERIALCONFIG** command). NovAtel recommends a minimum suggested baud rate of 115200 bps.

1. Log the following data to a file on your computer for 15 minutes:

```
RXSTATUSB once
RAWEPHEMB onchanged
GLORAWEPHEMB onchanged
BESTPOSB ontime 1
RANGEB ontime 1
RXCONFIGA once
VERSIONA once
```

For SPAN systems, include the following logs in the file created on your computer:

```
RAWIMUSXB onnew
INSUPDATESTATUSB onnew
INSPVAXB ontime 1
INSCONFIGA once
```

2. Send the data file to NovAtel Customer Support: support@novatel.com
3. You can also issue a **FRESET** command to the receiver to clear any unknown settings.



The **FRESET** command will erase all user settings. You should know your configuration (by requesting the RXCONFIGA log) and be able to reconfigure the receiver before you send the **FRESET** command.

If you are having a hardware problem, send a list of the troubleshooting steps taken and the results.

Contact Information

Log a support request with NovAtel Customer Support using one of the following methods:

Log a Case and Search Knowledge:

Website: www.novatel.com/support

Log a Case, Search Knowledge and View Your Case History: (login access required)

Web Portal: <https://novatelsupport.force.com/community/login>

E-mail:

support@novatel.com

Telephone:

U.S. and Canada: 1-800-NOVATEL (1-800-668-2835)

International: +1-403-295-4900

Chapter 1 Introduction

The OEM7 family offers Global Navigation Satellite System (GNSS) receivers and integrated L-Band capability. The OEM7 family supports existing and planned GPS, GLONASS, BeiDou, Galileo and QZSS frequencies and is capable of full code and Real-Time Kinematic (RTK) positioning. OEM7 cards are designed for flexibility of integration and configuration.

OEM7 Family Receiver Cards

- OEM719 - refer to *OEM719 Receiver Overview* on page 16 for details
- OEM729 - refer to *OEM729 Receiver Overview* on page 16 for details
- OEM7700 - refer to *OEM7700 Receiver Overview* on page 17 for details

1.1 Related Documents and Information

After the OEM7 hardware is set up, the OEM7 Commands and Logs Reference Manual (OM-20000169) becomes the primary source for command and log information. Each receiver has a specific set of features, so some commands and logs may not be supported by your model. Refer also to our web site www.novatel.com/support/ for the latest documentation.

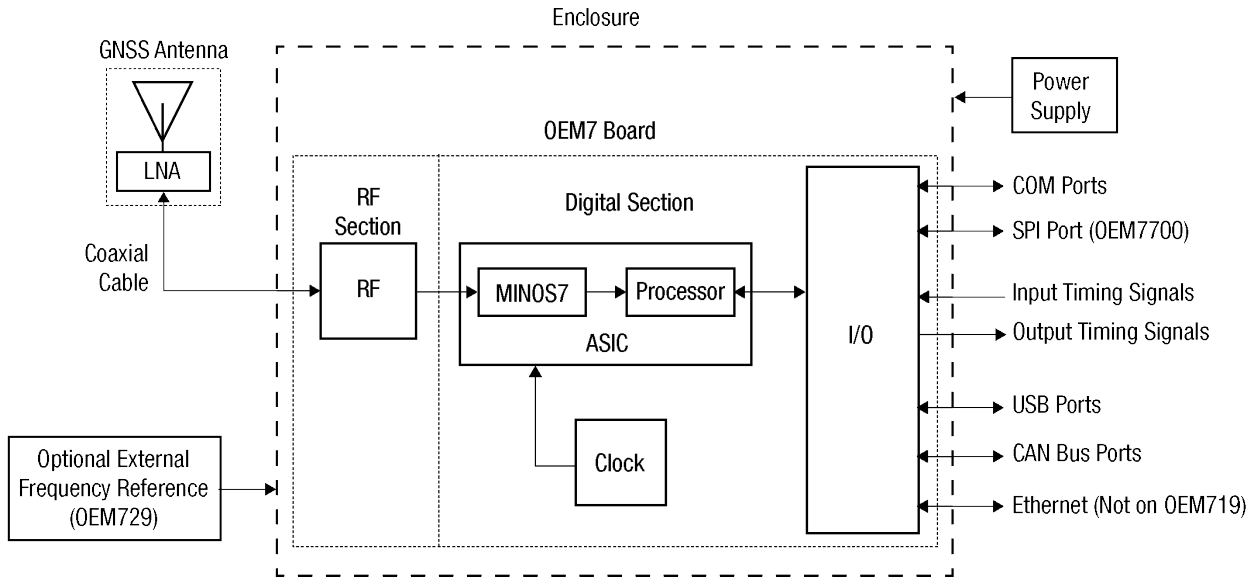
This manual does not cover OEM7 service and repair. Contact a local NovAtel dealer for service or repair inquiries (refer to *Customer Support* on page 12 for contact details).

1.2 OEM7 Receiver System Overview

In addition to the NovAtel OEM7 receiver card, an OEM7 receiver system requires the following:

- Enclosure and wiring harness
- Power supply
- Data communications equipment
- GNSS antenna

An OEM7 receiver system is illustrated in *Figure 1: OEM7 Receiver System* on the next page and described in the sections that follow.

Figure 1: OEM7 Receiver System

1.2.1 OEM7 Family Card

NovAtel's OEM7 family cards consist of a Radio Frequency (RF) section and a digital section.

Radio Frequency (RF) Section

The receiver obtains GNSS signals from the antenna. The RF section down converts the incoming RF signals to Intermediate Frequency (IF) signals which are processed by the digital section. The RF section also supplies power to the active antenna Low Noise Amplifier (LNA) through the coaxial cable. The RF section has been designed to reject common sources of interference.

Digital Section

The heart of the digital section is NovAtel's MINOS7 ASIC (Application Specific Integrated Circuit). The digital section digitizes and processes the IF signals to obtain a GNSS solution (position, velocity and time). It also processes the system I/O, shown in *Figure 1: OEM7 Receiver System* above.

1.2.2 Enclosure

An enclosure is necessary to protect the OEM7 family card from environmental extremes (moisture, dust, etc.).

1.2.3 GNSS Antenna

The receiver can supply power for the antenna LNA. If the antenna is not compatible with the OEM7 power supply (5 VDC), an external LNA supply may be required.

1.2.4 Power Supply

A power supply capable of delivering the minimum receiver operating voltage and power is required. See *Power Supply Requirements for Receiver Cards* on page 20 for details.

1.2.5 Optional External Frequency Reference

When applications require greater precision than the OEM7 internal clock, connect the receiver to an external high stability oscillator. See *External Oscillator* on page 70 for more information.



An External Oscillator is supported only on the OEM729.

1.2.6 Data Communications Equipment

A computer or other data communications device is necessary to communicate with the receiver and to receive and store the data that the receiver provides.

1.2.7 OEM719 Receiver Overview

The OEM719 has the same form and fit as NovAtel's OEM615™ receiver, with the following features:

- Four-frequency/Multi-constellation:
GPS L1, L1C, L2C, L2P, L5; GLONASS L1, L2, L2P, L3; BeiDou B1, B2, B3; Galileo E1, E5, E5a, E5b, E6, AltBOC; SBAS L1, L5, QZSS L1, L1C, L2C, L5, L6
- 555 channel operation
- LVCMOS UART communications ports
- USB device port (with virtual COM ports)
- Internal LNA power supply
- NovAtel CORRECT positioning (with PPP, RTK, SBAS and DGPS solutions)
- GLIDE and ALIGN positioning options
- Enhanced interference mitigation
- Mechanical mounting rails

Figure 2: OEM719 Receiver Board



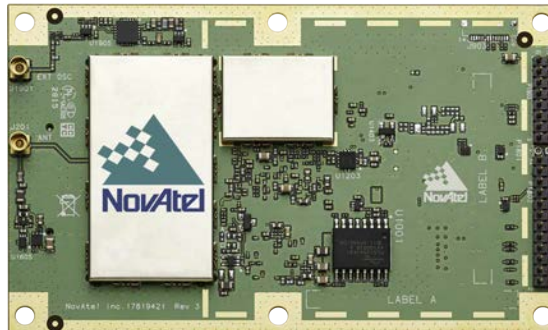
OEM719 technical specifications are provided in *OEM719 Technical Specifications* on page 110.

1.2.8 OEM729 Receiver Overview

The OEM729 has the same form and fit as NovAtel's OEM628™ receiver, with the following features:

- Four-frequency/Multi-constellation:
GPS L1, L1C, L2C, L2P, L5; GLONASS L1, L2, L2P, L3; BeiDou B1, B2, B3; Galileo E1, E5, E5a, E5b, E6, AltBOC; SBAS L1, L5, QZSS L1, L1C, L2C, L5, L6
- 555 channel operation
- External oscillator input
- RS-232/RS-422 communications port
- LVCMOS UART communications ports
- USB device port (with virtual COM ports)
- Ethernet communications port
- NovAtel CORRECT positioning (with PPP, RTK, SBAS and DGPS solutions)
- GLIDE and ALIGN positioning options
- Enhanced interference mitigation
- Mechanical mounting rails

Figure 3: OEM729 Receiver Board



OEM729 technical specifications are provided in *OEM729 Technical Specifications* on page 130.

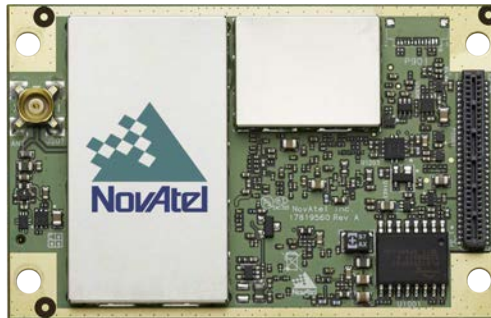
1.2.9 OEM7700 Receiver Overview

The OEM7700 is the same size as NovAtel's OEM615™ receiver with the following features:

- Four-frequency/Multi-constellation:
GPS L1, L1C, L2C, L2P, L5; GLONASS L1, L2, L2P, L3; BeiDou B1, B2, B3; Galileo E1, E5, E5a, E5b, E6, AltBOC; SBAS L1, L5, QZSS L1, L1C, L2C, L5, L6
- 555 channel operation
- LVCMOS UART communications ports
- USB communications ports
- Ethernet communications port
- High density connector for increased connectivity options
- Small form factor
- NovAtel CORRECT positioning (with PPP, RTK, SBAS and DGPS solutions)
- GLIDE and ALIGN positioning options

- Enhance interference mitigation
- Mechanical mounting rails

Figure 4: OEM7700 Receiver Board



OEM7700 technical specifications are provided in *OEM7700 Technical Specifications* on page 150.

Chapter 2 Installation of OEM7 Family Receiver Cards

This chapter provides instructions and guidelines for checking the contents of the shipping box, installing the NovAtel PC utilities on a computer, integrating a NovAtel receiver into a GNSS receiver system.

2.1 Shipping Box

The following items are provided with the OEM7 cards:

- OEM7 Family Receiver Card
- OEM7 Family Receivers Quick Start Guide

2.2 Additional Equipment Required

For the receiver to perform optimally, the following additional equipment is required:

- Interface cable for power, communications and other signals
- Enclosure to protect against the environment
- GNSS antenna (for a list of NovAtel GNSS antennas refer to our web site www.novatel.com/antennas)
- Coaxial cable (and interconnect adapter cable, as necessary)
- Data communication equipment capable of serial, USB or Ethernet communication
- Serial, USB or Ethernet data cable
- Power supply
- Optional NovAtel OEM7 Development Kit (01019433)
OEM7 Development Kit Guide (GM-14915145)



When the OEM7 family receiver is installed in a permanent location, it should be protected by a lightning protection device according to local building codes (refer to the *Lightning Protection Installation and Grounding Procedure* on page 9).



Emissions

OEM7 family products have been designed and tested to meet regulatory emission limits. Emission levels may be higher for OEM7 family card level operation than for integrated enclosure level products using an OEM7 family card.

Refer to *Notices* on page 8 for more information.

2.3 Selecting a GNSS Antenna

NovAtel offers a variety of antennas, including single, dual and triple-frequency, triple-band and wide-band reference GNSS antennas (refer to our web site: www.novatel.com/antennas for details of available antennas). All antennas include band pass filtering and an LNA. The GNSS antenna chosen depends on the particular application. Each model offers exceptional phase

center stability and a significant measure of immunity against multipath interference. Each antenna has an environmentally sealed radome and all meet the European Union's Restriction of Hazardous Substances (RoHS) and Waste Electrical and Electronic Equipment (WEEE).

If a non-NovAtel GNSS antenna is chosen, a typical antenna LNA gain between 26 dB to 30 dB is recommended in a rover station application.

For more information about antenna selection, see *Importance of Antenna Selection* on page 183.

2.4 Choosing a Coaxial Cable

An appropriate coaxial cable matches the impedances of the antenna and receiver (50 ohms) and has a line loss not exceeding 10.0 dB. If the limit is exceeded, excessive signal degradation may occur and the receiver may not meet performance specifications. NovAtel offers several coaxial cables to meet GNSS antenna interconnection requirements, including:

- 5, 15 and 30 m antenna cable with TNC connectors on both ends (NovAtel part numbers GPS-C006, GPS-C016 and GPS-C032)



A conversion is required between the MMCX, MMBX or MCX connector on the OEM7 receiver and the female TNC connector on NovAtel's GNSS antennas.



NovAtel recommends using high quality coaxial cables because an impedance mismatch is possible when using lower quality cables and this produces reflections in the cable that increases signal loss. Although other high quality antenna cables can be used, the performance specifications of the OEM7 family receivers are warranted only when used with NovAtel supplied accessories.

2.5 Power Supply Requirements for Receiver Cards

OEM7 receivers require a power supply that provides:

- +3.3 VDC \pm 5% with less than 100 mV ripple



If the voltage supplied is below the minimum specification, the receiver suspends operation.

If the voltage supplied is above the maximum specification, the receiver may be permanently damaged, voiding the warranty.



OEM7 family cards contain a DC-to-DC converter, tolerant to input noise and ripple. A tightly regulated input supply is not required, as long as it falls within the given input range.

Refer to the following for complete power specifications:

- *OEM719 Electrical and Environmental Specifications* on page 120
- *OEM729 Electrical and Environmental Specifications* on page 136

- *OEM7700 Electrical and Environmental Specifications* on page 156

2.6 Card Installation Overview

When the appropriate equipment is selected, complete the following steps to set up and begin using the NovAtel GNSS receiver.

1. Ensure adequate ESD protection is used as described in *Electrostatic Discharge (ESD) Precautions* below.
2. Prepare the interface with the receiver's data, status and power signals using the information in *Preparing the Data, Signal and Power Interface* on page 27.
3. Connect the GNSS antenna adapter cable to the receiver (refer to *Connecting the Antenna to the Receiver Card* on page 32).
4. Mount the OEM7 family card in a secure enclosure to reduce environmental exposure and RF interference, as described in *Mounting the Printed Circuit Board* below.
5. Mount the GNSS antenna to a secure, stable structure (refer to *Mounting the GNSS Antenna* on page 31).
6. Apply power to the receiver as described in *Applying Power to the Receiver Card* on page 33.
7. Connect the receiver to a computer or other data communications equipment (refer to *Connecting Data Communications Equipment* on page 33 for instructions).

2.6.1 Electrostatic Discharge (ESD) Precautions

When the OEM7 family card is removed from the original packing box, keep the box and ESD protection for future storage or shipment. Leave the OEM7 family card in the static shielding bag or clamshell when not connected in a normal operating environment.



- Always wear a properly grounded anti-static wrist strap when handling OEM7 cards.
- Always hold the OEM7 family card by the corners or the RF shield: avoid direct contact with any of the components.
- Never let the OEM7 family card come in contact with clothing. The ground strap cannot dissipate static charges from fabrics.
- Failure to follow accepted ESD handling practices could cause damage to the OEM7 family card.
- The warranty may be void if equipment is damaged by ESD.

For more ESD information, see *Electrostatic Discharge (ESD) Practices* on page 188.

2.7 Mounting the Printed Circuit Board

The OEM7 family receiver cards are OEM products and the printed circuit board is provided without a housing structure. This allows flexibility in creating a mounting environment to suit particular product and market requirements.

The mounting and enclosure should provide for the following:

- Mounting of external connectors
- Protection from hostile physical environments (rain, snow, sand, salt, water, extreme temperatures, etc)



The OEM Integrator is responsible for ensuring compliance of the final product with the regulatory bodies for those intended markets.

- Protection from ESD (see *Electrostatic Discharge (ESD) Practices* on page 188)
- Location to securely mount the receiver using screws

2.7.1 Planning the Mount Location

When planning the mount location for the OEM7 receiver, ensure there is enough room for the card. There is an area around the card, called a keep-out zone, where other components in the enclosure do not intrude. This keep-out zone is intended to prevent other components in the enclosure from interfering with, or damaging, the OEM7 receiver. For diagrams of the exact dimensions and keep-out zones for each OEM7 receiver card, see:

- *OEM719 Mechanical Specifications* on page 113
- *OEM729 Mechanical Specifications* on page 133
- *OEM7700 Mechanical Specifications* on page 153

OEM7 receivers are not directional in nature and can be mounted in any orientation.

2.7.2 Board to Board Spacing

A minimum amount of space is required between the OEM7 receiver and the interface or system board the receiver connects to. Refer to the following table for the minimum and suggested spacing.

OEM7 Receiver	Antenna Connector Type	Minimum Spacing	Suggested Spacing	Notes
OEM719	MCX straight	11.00 mm	12.00 mm	Mounting rails are available from NovAtel. See <i>Table 1: NovAtel Mounting Rails</i> on page 26 for the rails available.
OEM719A	MCX right angle	7.00 mm	7.00 mm 10.00 mm 12.00 mm	
OEM719B	MMBX straight	7.00 mm	7.00 mm 10.00 mm 12.00 mm	
OEM7700	MMBX straight	7.00 mm	7.00 mm 10.00 mm	



The recommended minimum values in the previous table assumes no recesses or cut-outs in the interface or system board for antenna connection.

A component keep-out area may be needed below the antenna connector on the mating interface or system board to facilitate minimum or suggested spacing.

Board to board spacing less than the minimum spacing suggested in the table may be achieved by incorporating recesses or cut-outs in mating interface or system board.

2.7.3 Mounting Options

OEM7 receivers can be mounted using standoffs, rails or rails and edge clamping.

Figure 5: Mounting with Standoffs

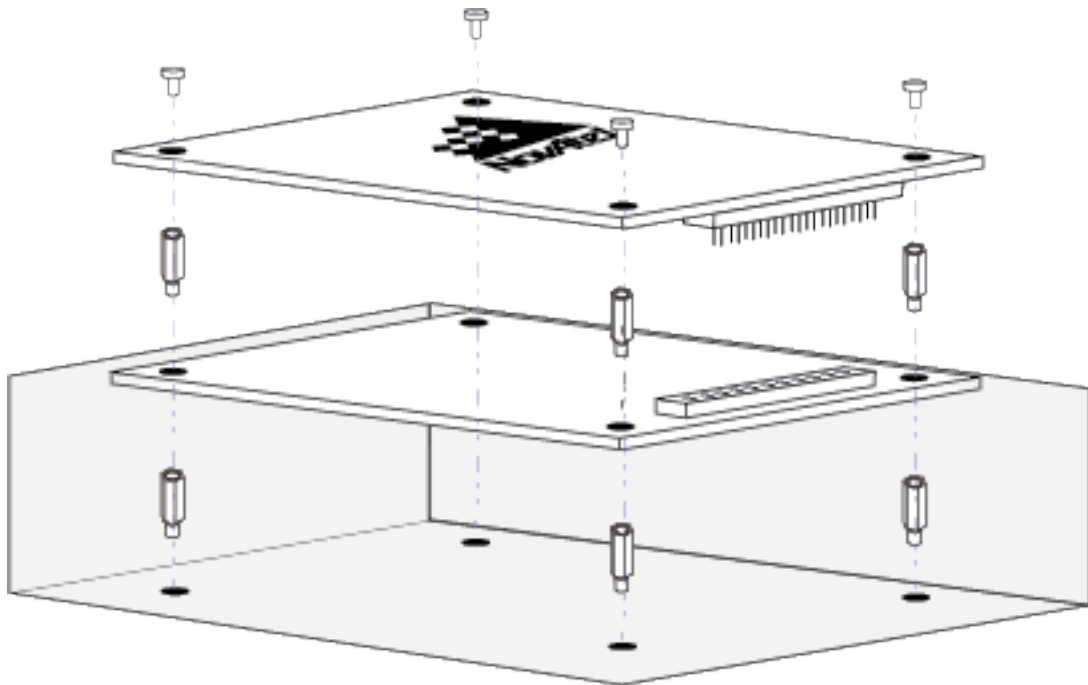


Figure 6: Mounting with Rails

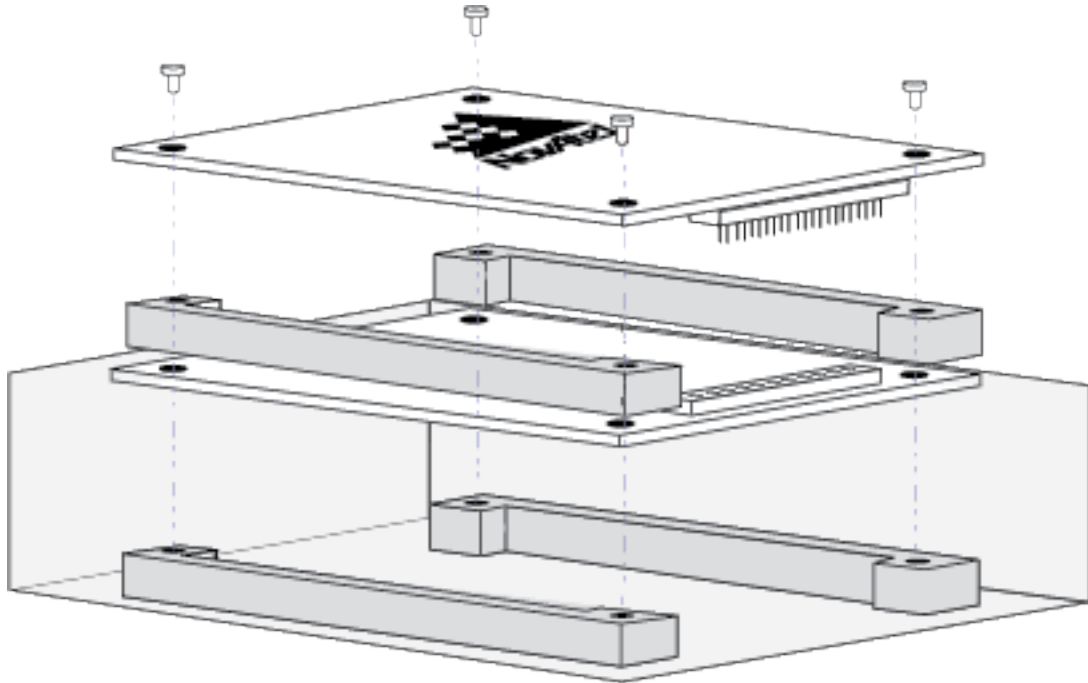
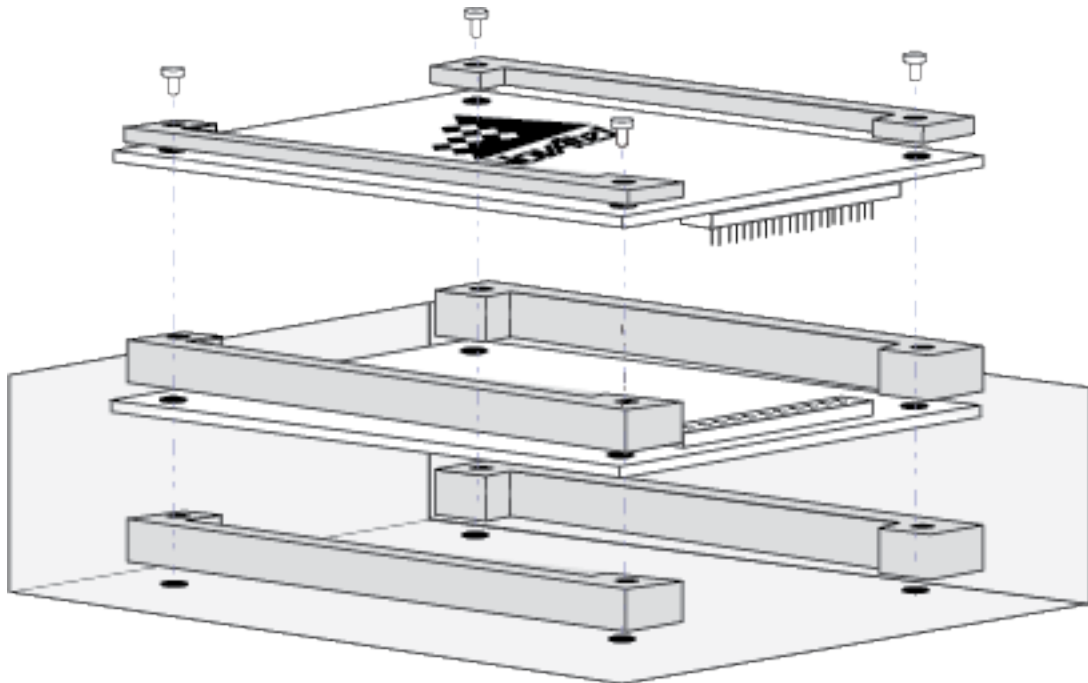


Figure 7: Mounting with Rails and Edge Clamps



The mounting holes in the OEM7 receiver cards accept M3 fasteners with a maximum projected head diameter of 7.5 mm (0.295"). For the exact spacing of the mounting holes, see *Figure 39: OEM719 Dimensions* on page 113, *Figure 46: OEM729 Dimensions* on page 133 and *Figure 49: OEM7700 Dimensions* on page 153.



For proper grounding and mechanical integrity, mount the OEM719 and OEM7700 with four screws.

For proper grounding and mechanical integrity, mount the OEM729 with six screws.



When installing cards, ensure all standoffs are properly installed.

Also ensure that the mounting location (whether using standoffs, bosses or rails) is level.

The amount of board deflection (bow and twist) must not exceed 0.75% of the receiver card's characteristic dimension. For example, on the OEM7700, which is 71 mm long and 46 mm wide, the deflection along the length must not exceed 0.53 mm and the deflection along the width must not exceed 0.34 mm.

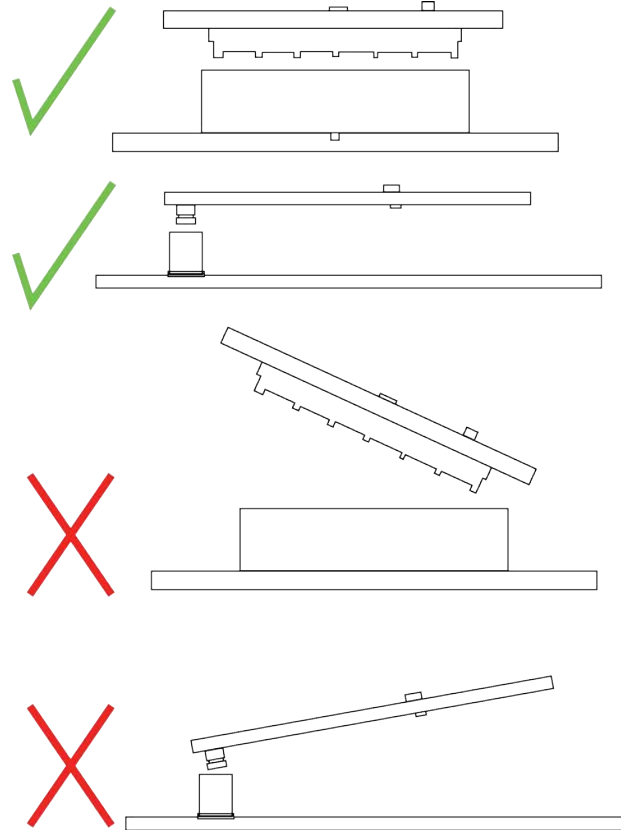


Care needs to be taken when mating the OEM7700 receiver to an interface card or system board. The high-density, 60 position connectors on both cards need to be properly aligned before mating to prevent damage to the connectors. See *Figure 8: Mounting the High-Density, 60 Pin Connector* on the next page.

A method to ensure proper alignment of the connectors is to slowly bring the mating faces together and let the connectors find their centers as the mating faces come to rest against each other. At this stage, visually check that the connectors are aligned. If the connectors are aligned, gently push the connectors together to mate them.

A fixture or jig will also be of help in ensuring proper alignment between the two connectors.

Figure 8: Mounting the High-Density, 60 Pin Connector



OEM7 receivers have an area on the edge of the cards to allow the use of mounting rails. This is the area of bare copper outside of the keep-out zone. On the OEM719 and OEM7700, this area is 1.75 mm wide. On the OEM729, this area is 2.5 mm wide. See *Figure 45: OEM719 Mounting Surface* on page 119, *Figure 48: OEM729 Mounting Surfaces* on page 135 and *Figure 51: OEM7700 Mounting Surfaces* on page 155 for the dimensions of this area.

For most non-demanding applications (e.g. base stations, remote sensing, desktop units and IT infrastructure), standoffs or bosses are sufficient to provide a secure mounting location.

Using rails to mount the OEM7 receiver improves the thermal and vibration performance of the receiver. Securing the OEM7 receiver to mounting rails using clamping bars provides the most secure configuration for aggressive thermal and vibration applications. See *Table 1: NovAtel Mounting Rails* below for information about the OEM7 mounting rails available from NovAtel.

Table 1: NovAtel Mounting Rails

Rail Part Number	Rail Height	Use as Mounting Rail for	Use as Clamping Bar on
01019518	7 mm	OEM719 OEM7700	OEM719 OEM7700
01019519	10 mm	OEM719 OEM7700	OEM719 OEM7700
01019634	12 mm	OEM719	OEM719 OEM7700



Ensure the IO connector height and antenna cable/connector height facilitate the desired board to board spacing and do not violate OEM7 receiver card height keep-out zones.



For more details about mounting OEM7 receiver cards, refer to the *OEM7 Receiver Card Mechanical Integration Application Note* (D19021).

2.7.4 Thermal dissipation

To ensure functionality and reliability, the OEM7 receiver cards must operate within the specified ambient air temperature limits (-40°C to +85°C).

The OEM7 receivers have been designed to efficiently transfer heat from the receiver components into the printed circuit board. Mounting the OEM7 receiver on rails, or attaching heat sinks to the mounting areas, will transfer the heat from the receiver card to adjacent circuit boards, the enclosure or the air.



The mounting area is the area of bare copper on the sides of the receiver that are outside of the keep-out zone. See *Figure 45: OEM719 Mounting Surface* on page 119, *Figure 48: OEM729 Mounting Surfaces* on page 135 and *Figure 51: OEM7700 Mounting Surfaces* on page 155.



For more information about thermal dissipation, refer to the *OEM7 Receiver Card Mechanical Integration Application Note* (D19021).

2.7.5 Vibration

OEM7 receivers are rated to 20g RMS (MIL-STD_810G Method 514.6E-1, Category 24). However, for high vibration installations, special considerations are required.

For OEM719 and OEM7700 receiver cards to meet the 20g vibration rating, the receiver card must be mounted using rails. OEM729 receivers meet the 20g vibration rating using standoffs, bosses or rails.



For more information about vibration considerations, refer to the *OEM7 Receiver Card Mechanical Integration Application Note* (D19021).

2.8 Preparing the Data, Signal and Power Interface

The interface provides connections to some or all of the following:

- Communication ports, including COM, Ethernet, USB and CAN
- Input and output timing strobes
- Power input

- RF signal input
- Optional external frequency reference

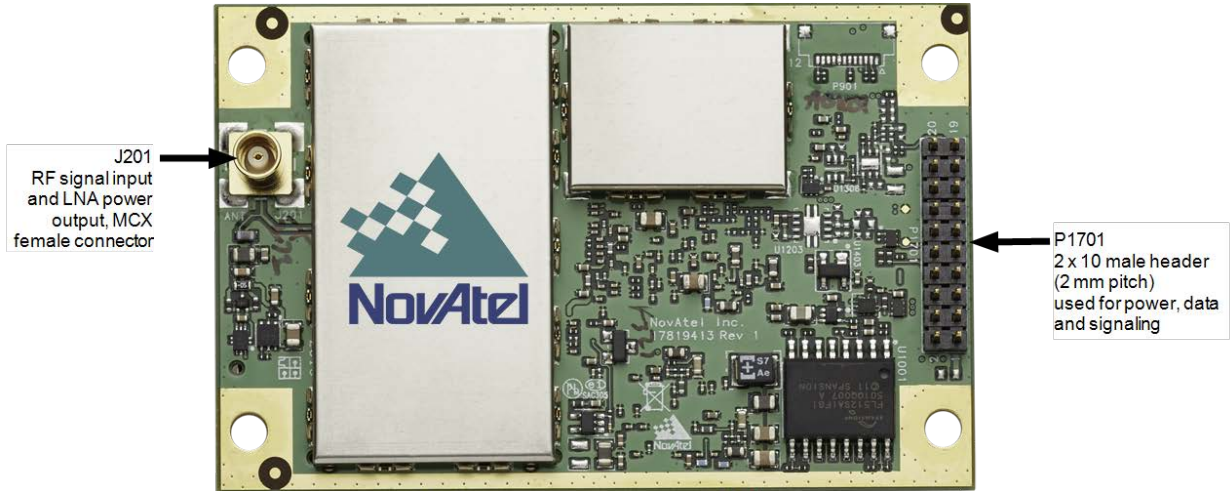
For all OEM7 family cards, the power, status and data inputs and outputs are accessed from one connector. The interface therefore, must be designed to mate with this connector.

Table 2: OEM7 Communication and I/O Connectors

Receiver	COM and I/O Connector	Mating Connector
OEM719	2 x 10 male header (2 mm pitch) See <i>OEM719 Interface Connector</i> on page 126	2 x 10 female socket (2 mm pitch)
OEM729	Main: 2 x 12 male header (2 mm pitch) Aux: 2 x 8 male header (2 mm pitch) See <i>OEM729 Interface Connectors</i> on page 142	Main: 2 x 12 female socket (2 mm pitch) Aux: 2 x 8 female socket (2 mm pitch)
OEM7700	2 x 30 female socket (0.8 mm pitch) See <i>OEM7700 Interface Connector</i> on page 162	2 x 30 male header (0.8 mm pitch) Samtec TEMS-130-02-07.0-H-D-A-K-TR (10 mm mated stack height) Samtec TEMS-130-02-04.0-H-D-A-K-TR (7 mm mated stack height)

Figure 9: OEM719 Connector and Indicator Locations

Top View



Bottom View

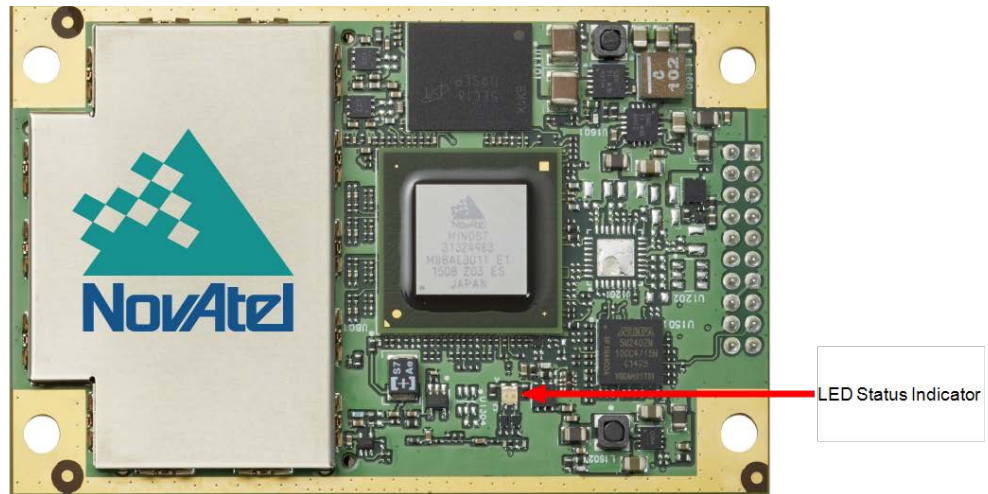
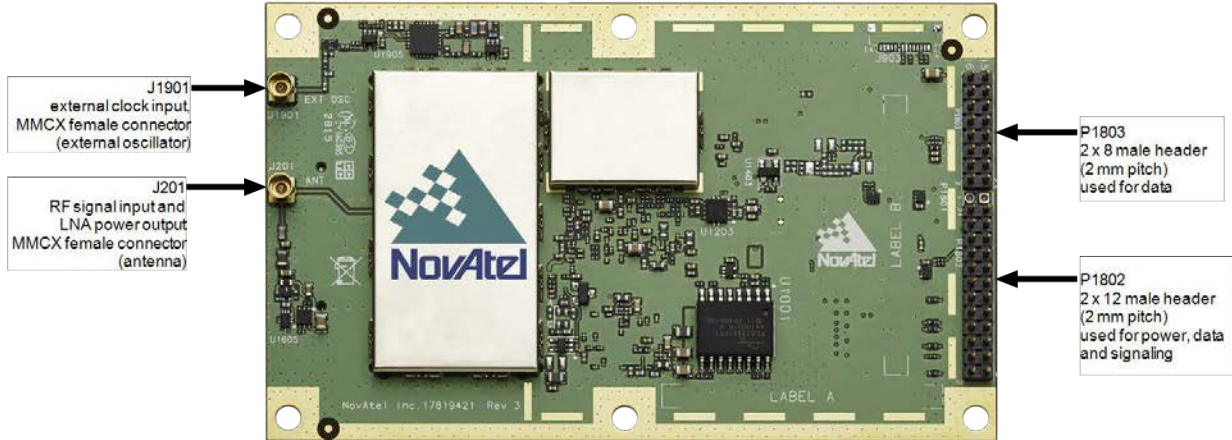


Figure 10: OEM729 Connector and Indicator Locations

Top View



Bottom View

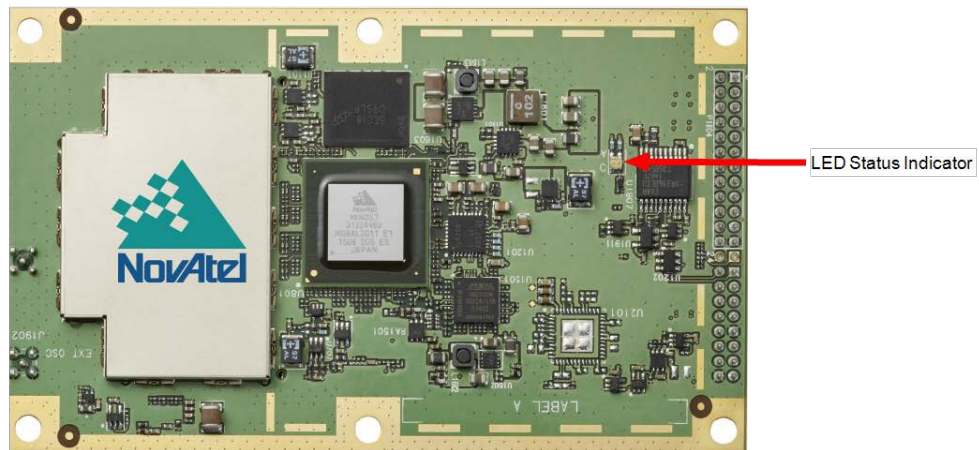
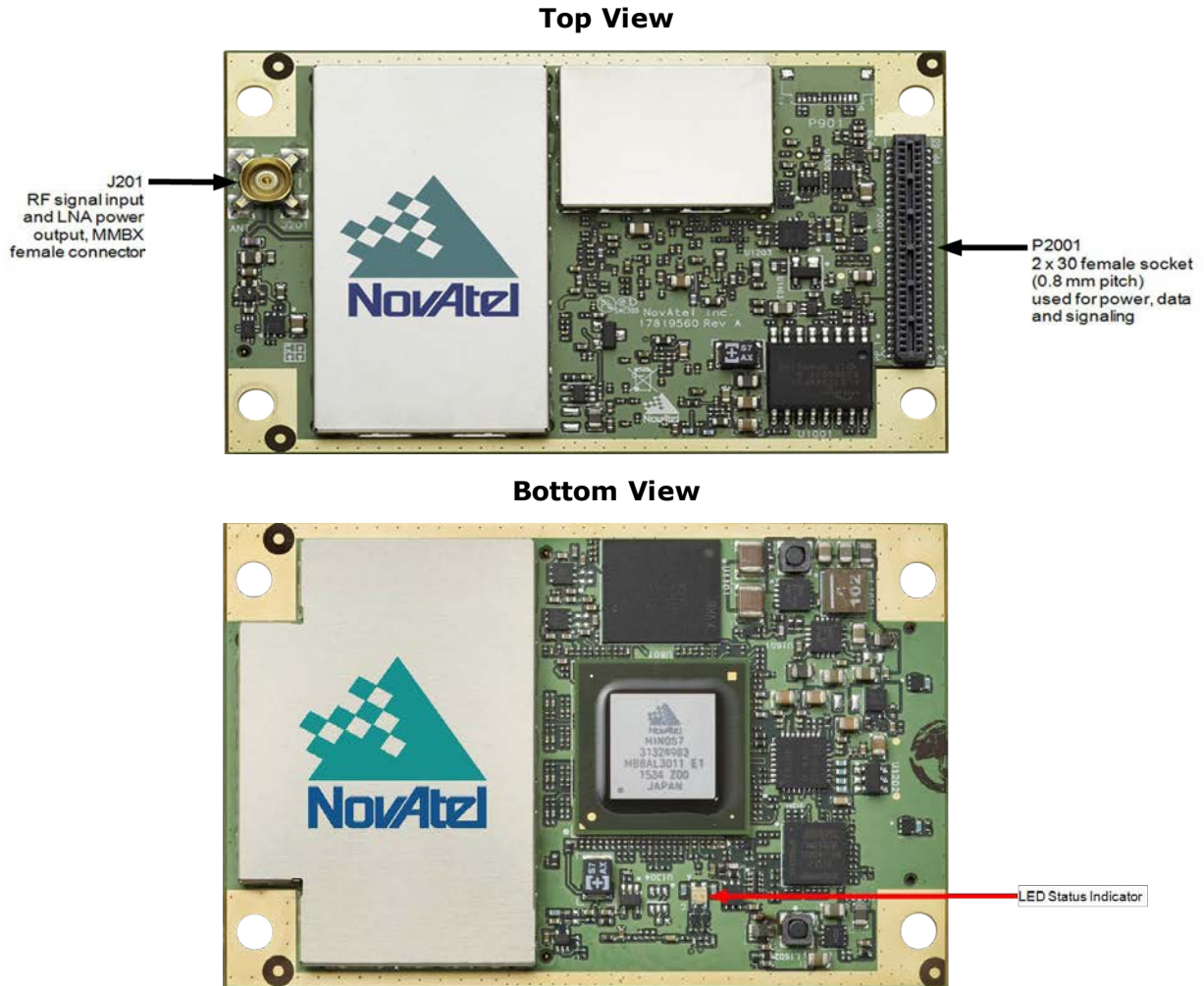


Figure 11: OEM7700 Connector and Indicator Locations



Many of the OEM7 communication and I/O signals are provided at LVCMOS levels and may need interface circuits to communicate with other devices. See *Receiver Card Interface Examples* on page 173 for examples of these interface circuits.

2.9 Mounting the GNSS Antenna

The OEM7 receiver is designed to operate with any of the NovAtel single, dual and triple-frequency GNSS antenna models.

When installing the antenna:

- Choose an antenna location with a clear view of the sky so each satellite above the horizon can be tracked without obstruction. For more information on RF signal propagation and multipath, refer to the NovAtel application note [APN-008 Discussions on RF Signal Propagation and Multipath](http://www.novatel.com/support/APN-008_Discussions_on_RF_Signal_Propagation_and_Multipath) at www.novatel.com/support/.
- Mount the antenna on a secure, stable structure capable of safe operation in the specific

environment.

- Ensure the antenna cannot move due to dynamics.

2.10 Connecting the Antenna to the Receiver Card

An interconnect adapter cable is required to convert the end of the antenna coaxial cable to the RF input connector on the OEM7 receiver.

Table 3: OEM7 Antenna Connectors

Receiver	Antenna Connector	External Oscillator
OEM719	MCX ¹	N/A
OEM729	MMCX	MMCX
OEM7700	MMBX	N/A

For the location of the antenna connector on the receiver card, see *Figure 9: OEM719 Connector and Indicator Locations* on page 29, *Figure 10: OEM729 Connector and Indicator Locations* on page 30 or *Figure 11: OEM7700 Connector and Indicator Locations* on the previous page.



NovAtel generally uses the MMBX connectors with barrels for board-to-board mounting. These connectors allow a blind mate and are able to move slightly under vibration to reduce the potential for damage to either PCB. The mating connector on the interface PCB must be a Huber and Suhner 82_MMBX-S50-0-1/111 NE or similar

Receiver	Antenna Connector	Barrel for Board to Board Mounting
OEM7700	HUBER + SUHNER MMBX Straight PCB jack Commercial PN: 82_MMBX-S50-0-1/111 NE	HUBER + SUHNER MMBX plug (male) / MMBX plug (male) 10mm. (other sizes are available) Commercial PN: 32_MMBX-50-0-4/111_ NE

2.10.1 Antenna LNA Power

NovAtel antennas and coaxial cables meet receiver RF input gain requirements. NovAtel antennas are equipped with built-in LNAs that provide 26 dB of gain to the satellite signal received. The power to the antenna LNA is provided through the receiver's RF port center conductor. To achieve the required input gain to the receiver, NovAtel coaxial cables are designed to introduce no more than 10 dB loss. Antenna supply over current protection limits the LNA power.

OEM7 receivers provide +5 VDC ±5% at a maximum of 200 mA.

¹The OEM719A uses a right angle MCX connector.
The OEM719B uses an MMBX connector.



If a short circuit or other problem causes an overload of the current supplied to the antenna, the receiver hardware shuts down the power supplied to the antenna. To restore power, power cycle the receiver. The Receiver Status word, available in the RXSTATUS log (see OEM7 Commands and Logs Reference Manual (OM-20000169)), provides more information about the cause of the problem.

2.11 Applying Power to the Receiver Card

Set the power supply to the voltage indicated in *Power Supply Requirements for Receiver Cards* on page 20, then connect the power supply to the wiring harness.

2.12 Connecting Data Communications Equipment

OEM7 receivers communicate with other devices in the system using:

- *Serial Ports* below
- *USB Ports* on page 36
- *Ethernet Ports* on page 38
- *SPI Ports* on page 38

2.12.1 Serial Ports

The serial communication ports (COM ports) are used to communicate between components in the GNSS system and to external data communications equipment such as computers and data loggers.

Table 4: OEM7 Card Default Serial Port Configurations

Model	COM1	COM2	COM3	COM4	COM5
OEM719	LVC MOS no flow control	LVC MOS no flow control	LVC MOS no flow control	N/A	N/A
OEM729	User configurable as - RS-232 with flow control - RS-422 without flow control	LVC MOS with flow control	LVC MOS no flow control	N/A	N/A
OEM7700	LVC MOS with flow control	LVC MOS with flow control	LVC MOS no flow control	LVC MOS no flow control	LVC MOS no flow control



On the OEM729, COM1 can be user configured for RS-232 or RS-422 operation. Refer to *Serial Ports* on page 41 for instructions.

Each port may support some or all of the following signals:

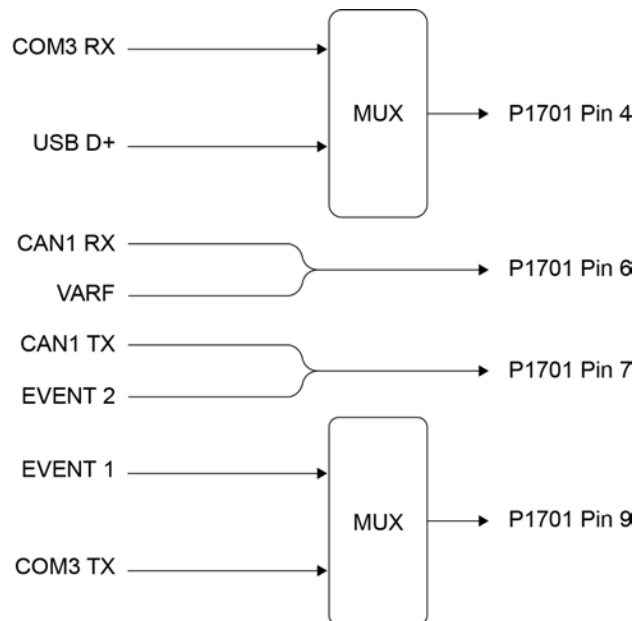
- Transmitted Data (TX)
- Received Data (RX)
- Request To Send (RTS) [ports with flow control]
- Clear To Send (CTS) [ports with flow control]

Port settings (bit rate and parity, for example) are software configurable. See *Communications with the Receiver* on page 41. Also see *OEM719 Technical Specifications* on page 110, *OEM729 Technical Specifications* on page 130 and *OEM7700 Technical Specifications* on page 150 for further information on data communications specifications and pin assignments.

OEM719 Multiplexed Port

On the OEM719, COM3 is multiplexed with USB and EVENT1. USB and EVENT1 are enabled by default.

Figure 12: COM3 and USB Multiplexed on OEM719



To enable COM3, issue the following commands:

1. **INTERFACEMODE USB1 NONE NONE**
2. **INTERFACEMODE USB2 NONE NONE**
3. **INTERFACEMODE USB3 NONE NONE**
4. **MARKCONTROL MARK1 DISABLE**
5. **INTERFACEMODE COM3 NOVATEL NOVATEL**
6. **SAVECONFIG** (optional)

To enable USB, issue the following commands:

1. **INTERFACEMODE COM3 NONE NONE**
2. **INTERFACEMODE USB1 NOVATEL NOVATEL**

3. **INTERFACEMODE USB2 NOVATEL NOVATEL**
4. **INTERFACEMODE USB3 NOVATEL NOVATEL**
5. **SAVECONFIG** (optional)

To enable EVENT1, issue the following commands:

1. **INTERFACEMODE COM3 NONE NONE**
2. **MARKCONTROL MARK1 ENABLE**
3. **SAVECONFIG** (optional)

OEM729 RS-422 Port

On the OEM729 card, COM1 can be configured as either RS-232 (optionally with hardware flow control, if the cable used supports it) or RS-422 (with no hardware flow control), by setting pin 2 of P1802 (USER1) LOW or HIGH respectively at boot time.



The OEM729 receiver samples pin 2 during the boot sequence to determine the mode for COM1.

By default, RS-232 is selected since the pin 2 input, if open, is pulled LOW by an internal pull down resistor.

To select RS-422, pull pin 2 of P1802 to 3.3 VDC during start-up.



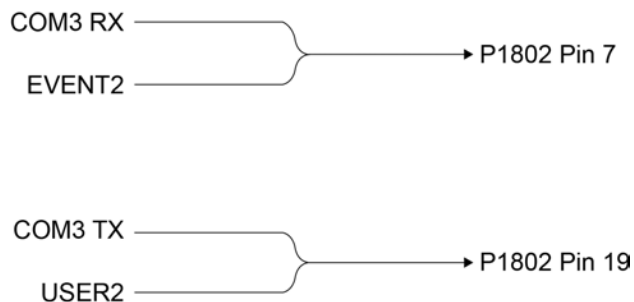
Do not apply 3.3 VDC directly to pin 2. NovAtel recommends using a 1 k Ω resistor to pull pin 2 high.

See *OEM729 Interface Connectors* on page 142 for pin-out details for COM1 RS-232 and RS-422 configurations.

OEM729 Multiplexed Port

A third serial port, COM3, is also available on pin 7 (RXD) and pin 19 (TXD). By default, COM3 is enabled. COM3 is multiplexed with both EVENT2 and USER0.

Figure 13: OEM729 COM3 Multiplexed with EVENT2 and USERGPIO



To enable COM3:

1. If a user application is running, make sure it does not initialize GPIO_USER0.
2. Issue the following command: **MARKCONTROL MARK2 DISABLE**
3. Issue the following command: **INTERFACEMODE COM3 NOVATEL NOVATEL ON**
Use any interface mode except **NONE**

To enable MARK2:

1. Issue the following command: **MARKCONTROL MARK2 ENABLE**
2. Issue the following command: **INTERFACEMODE COM3 NONE NONE OFF**

Refer to the OEM7 Commands and Logs Reference Manual (OM-20000169) for further command information.

OEM7700 Multiplexed Port

A fifth serial port (COM5) is optionally available on the flow control (RTS and CTS) pins of COM2 (pins 5 and 11 of P2001).

To enable COM5:

1. Issue the following command: **SERIALCONFIG COM2 115200 N 8 1 N ON**
2. Issue the following command: **INTERFACEMODE COM5 NOVATEL NOVATEL ON**
Use any interface mode except **NONE**

To enable flow control for COM2:

1. Issue the following command: **INTERFACEMODE COM5 NONE NONE OFF**
2. Issue the following command: **SERIALCONFIG COM2 115200 N 8 1 CTS ON**

2.12.2 USB Ports

OEM7 receivers have USB 2.0 compatible ports that are used to communicate between components in the GNSS system and to external data communications equipment such as computers and data loggers.

Table 5: Available USB Ports

Receiver	Number of Ports	Port Bit Rate	USB Signals
OEM719	1	480 Mbps or 12 Mbps	Pin 3 D(-) and Pin 4 D(+) on P1701 (main header). Pin 4 is multiplexed with COM3
OEM729	1	480 Mbps or 12 Mbps	Pin 21 D(-) and Pin 22 D(+) of P1802 (24-pin header)
OEM7700	2	480 Mbps or 12 Mbps	USB0: Pin 48 D(+) and Pin 50 D(-) on P2001 USB1: Pin 47 D(-) and Pin 49 D(+) on P2001



The default Port Bit Rate is 12 Mbps.

The bit rate of the USB port is controlled using the **USBCONFIG** command.

See *OEM719 Technical Specifications* on page 110, *OEM729 Technical Specifications* on page 130 and *OEM7700 Technical Specifications* on page 150 for further information on USB specifications and pin assignments.

If the USB port is being routed to an external device, ESD protection is needed. For an example of a USB interface circuit, see *USB Interface* on page 178.

Multiple USB Ports

OEM7 receivers with a 60 pin interface connector (such as the OEM7700) have two USB ports, one configured as a device and one configured as a host.

The state of the USB Port Mode Select pin (pin 51) determines which USB port is configured as host.

Table 6: USB Port Mode

USB Port Mode Select Pin State	USB0 Mode	USB1 Mode
Tied Low	Host	Device
Tied High Left Unconnected	Device	Host

USB0 is the recommended interface if only one of the USB ports is used, as USB0 provides a connection for VBUS.

USB OTG is not supported. The state of the USB Port Mode Select pin is sampled when the receiver starts and the USB mode of both ports is set at that time.

USB Drivers

OEM7 receivers come with NovAtel USB drivers for Microsoft Windows Vista and Windows 7 to provide three virtual serial ports over a single USB 2.0 connection using USB D(+) and USB D(-) signals (refer to *Table 5: Available USB Ports* on the previous page). The USB drivers are digitally signed and officially supported on Microsoft Windows Vista and Windows 7. They can also be installed on Microsoft Windows Server 2003 but are not WHQL signed in those applications.

The three virtual serial ports are available to existing Windows applications which use COM ports to communicate (for example, HyperTerminal and NovAtel Connect). The NovAtel USB drivers assign COM port numbers sequentially following any existing ports on the computer. For example, if a computer has COM1 and COM2 ports, the NovAtel USB drivers assign COM3 to USB1, COM4 to USB2 and COM5 to USB3.



A computer has several USB ports. The assignment of COM port numbers is tied to a USB port on the computer. This allows receivers to be switched without Microsoft



Windows assigning new COM ports. However, if the receiver is connected to a different physical USB port, Windows detects the receiver's presence and assigns three new COM port numbers.

The NovAtel USB Configuration Utility, installed with the NovAtel USB drivers, is used to change the COM port numbers assigned to the virtual serial ports. Refer to the PC Utilities manual for instructions. You can also check for updates to the drivers or release notes at www.novatel.com/support.

2.12.3 Ethernet Ports

OEM7 receivers have a 10Base-T/100Base-TX Ethernet port for communications with external data communications equipment such as computers and data loggers. The Ethernet port supports IPv4 Internet layer, TCP/IP transport and telnet. Users can conduct remote debugging, accept MRTCA (modified RTCA) data and download firmware. OEM7 family receivers are also equipped with NTRIP Version 2.0 (Networked Transport of RTCM via Internet Protocol) client and server capability.



The OEM7 receiver cards do not have Ethernet magnetics or an RJ45 connector. If using the OEM7 Ethernet connectivity, the distance between the OEM7 receiver and the magnetics must be no more than 10 inches (25.4 cm), and the distance between the magnetics and the jack must be no more than 1.5 inches (3.8 cm).

The OEM7 uses the Texas Instruments TKL106 Ethernet PHY. Follow Texas Instruments' recommendations for transformer selection.

If the Ethernet port is being routed outside of the enclosure, an interface circuit is needed. For an example of an Ethernet interface circuit, see *Ethernet Port* on page 180.

See *OEM729 Technical Specifications* on page 130 and *OEM7700 Technical Specifications* on page 150 for further information on Ethernet specifications and pin assignments.



Ethernet is not available on OEM719 receivers.

Refer to *Ethernet Configuration* on page 77 for instructions on configuring Ethernet and NTRIP.

2.12.4 SPI Ports

The Serial Peripheral Interface (SPI) port provides communications between other components in the GNSS system. For example, the OEM7 receiver can use the SPI port to communicate with some IMUs in a SPAN system.



A SPI port is only available on OEM7700 receivers.

2.13 Test that the Receiver is Working

After the receiver is installed, powered up and connected to a GNSS antenna, use the following procedure to ensure the receiver is operating.

1. Check the LED Status Indicator is blinking green at 1 Hz.

See *Preparing the Data, Signal and Power Interface* on page 27 for the location of the LED.

2. Send the following command:

```
LOG VERSION
```

The VERSION log is returned.

```
<VERSION COM1 0 85.5 FINESTEERING 1889 332680.442 02040020 3681
13662
2
GPSCARD "FFNRNNTBNS3" "DMGW16080031A" "OEM719-1.01"
"OM7MR0000RN0000" "OM7BR0000RB0000" "2015/DEC/14" "19:23:28"
OEM7FPGA "" "" "" "OMV070001RN0000" "" "" ""
```

3. Check that the Time Status is **FINESTEERING** which represents that time is fine set and being steered.
4. Check the Receiver Status word (02040020 in this example). If the farthest digit is **1**, the receiver has errors.



It can take about a minute for time status to be **FINESTEERING** depending on number of satellites being tracked. This assumes the antenna is located in an open sky environment and the RF set up meets the requirements.

2.14 Installing NovAtel PC Utilities

The NovAtel PC Utilities application contains complete instructions for the installation and use of the NovAtel PC utilities. The utilities include tools for accessing and manipulating data from the OEM7 receivers.

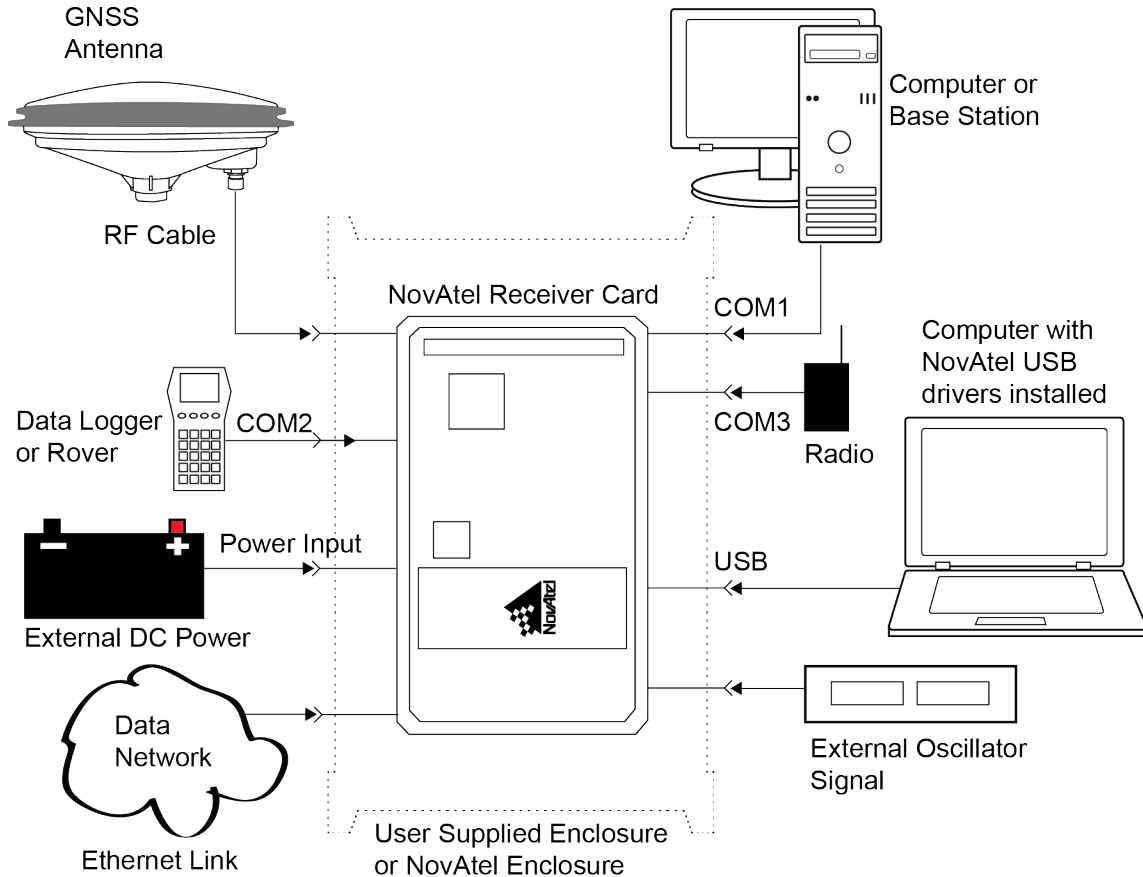


NovAtel Connect version 2.0 or greater is required for OEM7 receivers. Download the latest NovAtel Connect PC Utilities suite of software and documentation, including NovAtel Connect from www.novatel.com/support/info/documents/809.

Chapter 3 OEM7 Receiver Operation

Before operating the receiver for the first time, read the installation instructions in *Installation of OEM7 Family Receiver Cards* on page 19. The following instructions are based on a configuration similar to *Figure 14: Basic OEM7 Family Card Connection Interfaces (example)* below.

Figure 14: Basic OEM7 Family Card Connection Interfaces (example)



The figure above does not show all necessary hardware. Also see *Figure 15: Basic Differential Setup* on page 45 for a base/rover example.



The optional External Oscillator Signal option is only available on the OEM729.



The COM ports are LVCMOS, except COM1 on the OEM729, and signal conversion may be required depending on the equipment connected.

3.1 Communications with the Receiver

Communication is established with the receiver using a data terminal or computer connected to one of the receiver's communications ports using a null modem, USB or Ethernet cable.

When connected to the receiver, enter commands directly from the terminal or through terminal emulation software (such as NovAtel Connect or HyperTerminal) on a computer.



NovAtel Connect version 2.0 or greater is required for OEM7 receivers. Download the latest NovAtel Connect PC Utilities suite of software and documentation, including NovAtel Connect from www.novatel.com/support/info/documents/809.

To maximize the application of the receiver's capabilities, become familiar with the commands and logs described in the OEM7 Commands and Logs Reference Manual (OM-20000169).

3.1.1 Serial Ports

The receiver can communicate with a computer or terminal via a serial port. For communication to occur, both the receiver and the operator interface have to be configured properly. The receiver's default port settings are as follows:

- 9600 bps
- no parity
- 8 data bits
- 1 stop bit
- no handshaking
- echo off
- break on

The data transfer rate determines how fast information is transmitted. Take for example a log whose message byte count is 96. The default port settings allows 10 bits/byte (8 data bits + 1 stop bit + 1 framing bit). It therefore takes 960 bits per message. To get 10 messages per second then requires 9600 bps. Also remember that even if you set the bps to 9600, the actual data transfer rate may be lower and depends on the number of satellites being tracked, data filters in use, and idle time. It is therefore suggested that you leave yourself a margin when choosing a data rate.



The minimum suggested baud rate for most applications is at least 115200 bps for GNSS only or 230400 bps for GNSS+INS. If the buffer overrun flag is present in the **RXSTATUS** log (refer to the OEM7 Commands and Logs Reference Manual (OM-20000169)), log at a higher baud rate if possible, or change to a medium supporting higher bandwidth (USB or Ethernet).



Although the receiver can operate at data transfer rates as low as 300 bps, this is not recommended. For example, if several data logs are active (that is, a significant amount of information needs to be transmitted every second) but the bit rate is set too low, data



overflows the serial port buffers, causing an error condition in the receiver status that results in lost data.



Refer to *Connecting Data Communications Equipment* on page 33 for additional default setting details.

The following ports are supported and can be configured using the commands listed. Refer to the commands listed in the OEM7 Commands and Logs Reference Manual (OM-20000169) for detailed instructions.

Table 7: Serial Ports Supported

Receiver Type	Port Supported	Configuration Command
OEM719	COM1, COM2, COM3	SERIALCONFIG
OEM729	COM1, COM2, COM3	SERIALCONFIG and SERIALPROTOCOL
OEM7700	COM1, COM2, COM3, COM4, COM5	SERIALCONFIG

Change the COM Port Settings

To change the settings on a COM port, use the **SERIALCONFIG** command. For example:

- To change the data rate of COM2 to 115200, enter:

```
SERIALCONFIG COM2 115200
```

- To change the data rate to COM1 to 57600 and enable even parity, enter:

```
SERIALCONFIG COM1 57600 E
```

Configure a COM Port to Use RS-232 or RS-422

COM1 of the OEM729 communicates using RS-232 protocol by default, but can be configured to use RS-422 protocol.

The **SERIALPROTOCOL** command is used to select RS-232 or RS-422 for the COM port.

Commands are executed after the receiver has completed booting so the communication lines may be configured incorrectly during the time taken to boot and before the command can be processed. For automatic configuration, the **SERIALPROTOCOL** command can be saved using the **SAVECONFIG** command.



After switching a COM port from RS-232 to RS-422, send a carriage return (CR) on the newly configured port to flush the buffer prior to sending new commands on the port.

3.1.2 Communicating using a Remote Terminal

One method of communicating with the receiver is through a remote terminal. To communicate with the terminal, the receiver requires only the RX, TX and GND lines be used. Handshaking is

not required but is an option. Ensure the terminal's communications set up matches the receiver's RS-232 settings.



COM ports on OEM7 receivers use LVCMOS voltage levels and require an interface circuit to communicate with a remote terminal. The exception is COM1 on the OEM729 that uses RS-232 voltage levels and can interface directly to a remote terminal.

3.1.3 Communicating using a Computer

A computer can emulate a remote terminal as well as provide the added flexibility of supporting multiple command batch files and data logging storage files. Use any standard communications software package that emulates a terminal to establish bidirectional communications with the receiver. Examples include HyperTerminal or NovAtel Connect (a Graphic User Interface (GUI) program). All data is sent as raw 8-bit binary or ASCII characters.

Refer to *Communicating with the Receiver* below for details.



COM ports on OEM7 receivers use LVCMOS voltage levels and require an interface circuit to communicate with a computer. The exception is COM1 on the OEM729 that uses RS-232 voltage levels and can interface directly to a computer.

3.2 Getting Started

The NovAtel Connect and Convert programs and documentation can be downloaded from the web site: www.novatel.com/support/info/documents/809. NovAtel Connect is an application used to access the receiver's features without special communications protocols or software. The Convert utility is a Microsoft Windows based utility used to convert between data formats (like ASCII to binary and NovAtel raw format to RINEX) and strip unwanted records during data file compilation.

3.2.1 Starting the Receiver

The receiver's software resides in flash memory. When first powered, it undergoes a complete self-test. If an error condition is detected during the self-test, the status word changes. This self-test status word can be viewed in the header of any data output log. Refer to the chapter on Messages in the OEM7 Commands and Logs Reference Manual (OM-20000169) for header information. If a persistent error occurs, contact your local NovAtel dealer. If the dealer cannot resolve the problem, contact NovAtel Customer Support directly using one of the methods listed in *Customer Support* on page 12.



Power to the card must be applied for >150 ms before any of the external interfaces are powered on by the integrator's card.

3.2.2 Communicating with the Receiver

You can communicate with the receiver using NovAtel Connect or a terminal emulation program.



Detailed instructions for using NovAtel Connect are available from the Help system built into NovAtel Connect.

When the receiver is first turned on, no data is transmitted from the COM ports except for the port prompt.

[COM1] if connected to COM1 port

[COM2] if connected to COM2 port

or

[COM3] if connected to COM3 port

Any of the COM port prompts indicate that the receiver is ready and waiting for command input. The screen may display other port names for other port types (e.g., USB1, USB2, USB3 or ICOM1).



1. Output from receiver self-tests may take some time. On startup, the OEM7 family receiver is set to log the RXSTATUSVENTA log ONNEW on all ports. See *RXSTATUSVENT Log* on page 72 for more details.
2. If NovAtel Connect is unable to locate the OEM7 family receiver, use a different COM port to communicate with the receiver. When communication has been established, issue a **FRESET STANDARD** command. The original communications port should be ready for use. See the **FRESET** command for more information.
3. XCOM1, XCOM2 and XCOM3 virtual ports can be generated by the receiver. However, they are unlikely to appear as a port prompt as you cannot connect to these types of ports using NovAtel Connect. Also, the XCOM ports are not available with the **SERIALCONFIG** command but may be used with other commands, such as the **INTERFACEMODE** command and **LOG** command. Refer to the OEM7 Commands and Logs Reference Manual (OM-20000169) for details on the virtual ports.

An example of a response to an input **FIX POSITION** command:

```
[COM2] FIX POSITION 51.11635 -114.0383 1048.2 [Carriage Return]
<OK
```

In this example, [COM2] is the port prompt.

This example illustrates command input to the base receiver's COM2 port that sets the position of the base station receiver for differential operation.

If the command was accepted, the receiver responds with:

```
<OK
```

If a command is entered incorrectly, the receiver responds with:

```
<ERROR:Invalid Message ID (or a more detailed message)
```

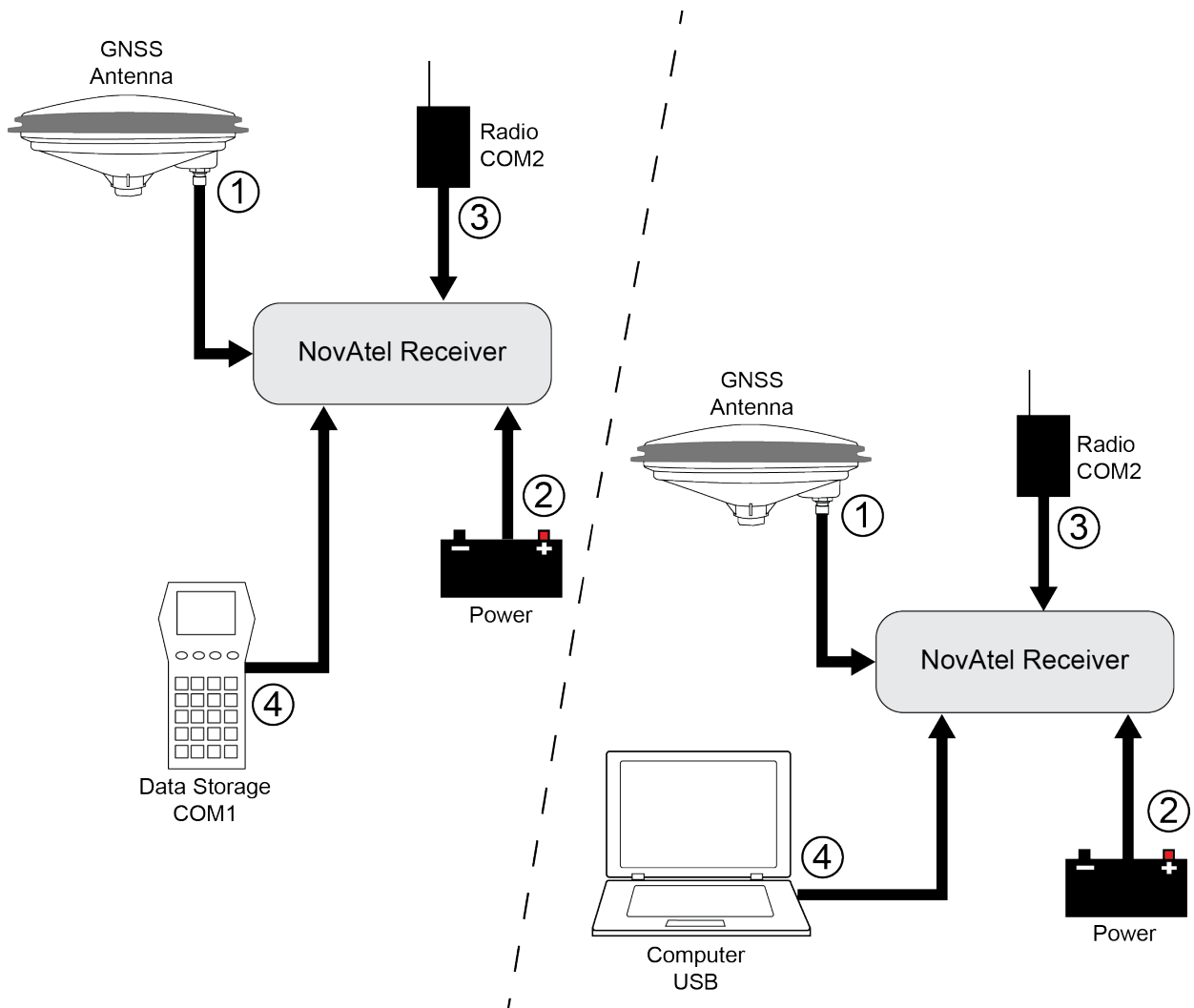


Ensure the computer does not sleep or hibernate during a logging session or data will be lost.

3.3 Transmitting and Receiving Corrections

Corrections can be transmitted from a base station to a rover station to improve position accuracy. The base station is the GNSS receiver that acts as the stationary reference. The stationary reference has a known position and transmits correction messages to the rover station. The rover station is the GNSS receiver that does not know its exact position and requires correction messages from a base station to calculate differential GNSS positions. An example of a differential setup is shown in *Figure 15: Basic Differential Setup* below.

Figure 15: Basic Differential Setup



Rover Setup

- 1 Mount and connect a GNSS antenna
- 2 Connect a power supply (user supplied)
- 3 Connect a radio device to COM2 (user supplied)
- 4 Connect a storage device to COM1 (user supplied)

Base Setup

- 1 Mount and connect a GNSS antenna
- 2 Connect a power supply (user supplied)
- 3 Connect a radio device to COM2 (user supplied)
- 4 Connect a computer to COM1 for setup and monitoring (user supplied)

For information on positioning errors and the application of corrections for them, refer to the application note [APN-051 Positioning Modes of Operation](http://www.novatel.com/support/), available at www.novatel.com/support/. To receive corrections, a data link between the base station and the rover station is required. The base and rover stations can both be NovAtel receivers, however NovAtel receivers will work with some other brands. Contact Customer Support for further details (refer to *Customer Support* on page 12 for details).

The data link should support a rate of at least 19200 bits per second, but a rate of 115200 bits per second, with less than 4.0 s latency, is recommended.



Unlike the base/rover concept, SBAS and L-Band corrections can be applied directly to a single receiver.

When the base and rover are set up, configure them as shown in the configuration examples in *Base Station Configuration* below and *Rover Station Configuration* on the next page.

3.3.1 Base Station Configuration

At the base station, enter the following commands:

```
serialconfig [port] baud [parity[databits[stopbits[handshaking[break]]]]]
interfacemode port rx_type tx_type [responses]
fix position latitude longitude height (enter your own lat, long and hgt values)
log port message [trigger [period]] (port = COM2 / refer to Figure 15: Basic
Differential Setup on the previous page)
saveconfig (optional)
```

For example:

RTK Automated Correction Generation

```
fix position lat lon hgt (enter your own lat, lon, hgt)
generatertkcorrections rtcmv3 com2
```

RTCM V3

```
serialconfig com2 9600 N 8 1 N on
interfacemode com2 none rtcmv3 off
fix position lat lon hgt (enter your own lat, lon, hgt)
log com2 rtcm1002 ontime 1 (for L1 only models)
log com2 rtcm1004 ontime 1 (for L1/L2 models)
log com2 rtcm1006 ontime 10
log com2 rtcm1019 ontime 120
saveconfig (optional)
```

RTCM V3 with GLONASS

```
serialconfig com2 9600 N 8 1 N on
interfacemode com2 none rtcmv3 off
```

```
fix position lat lon hgt (enter your own lat, lon, hgt)
log com2 rtcml002 ontime 1 (for L1 only models)
log com2 rtcml004 ontime 1 (for L1/L2 models)
log com2 rtcml010 ontime 1 (for L1 only models)
log com2 rtcml012 ontime 1 (for L1/L2 models)
log com2 rtcml006 ontime 10
log com2 rtcml033 ontime 10
log com2 rtcml019 ontime 120
log com2 rtcml020 ontime 120
saveconfig (optional)
```

NOVATELX

```
serialconfig com2 9600 N 8 1 N on
interfacemode com2 none novatelx off
fix position lat lon hgt (enter your own lat, lon, hgt)
log com2 novatelxobs ontime 1
saveconfig (optional)
```

3.3.2 Rover Station Configuration

At the rover station, enter the following commands:

```
serialconfig [port] baud [parity[databits[stopbits[handshaking[break]]]]]
interfacemode port rx_type tx_type [responses]
saveconfig (optional)
```

For example, if COM2 was connected to the correction source:

RTK Automated Correction Detection

```
interfacemode com2 auto none off
```

RTCM V3

```
interfacemode com2 rtcmv3 none off
```

RTCM V3 with GLONASS

```
interfacemode com2 rtcmv3 none off
```

NOVATELX

```
interfacemode com2 NOVATELX none off
```

3.4 Configuration Notes

For compatibility with other GNSS receivers and to minimize message size, use the standard form of RTCMV3 corrections shown in the base and rover examples in *Transmitting and*

Receiving Corrections on page 45. This requires using the **INTERFACEMODE** command to dedicate one direction of a serial port to one message type only. When the **INTERFACEMODE** command is used to change the mode from the NOVATEL default, the NovAtel format messages can no longer be used.

To mix NovAtel format messages and RTCMV3 messages on the same port, leave the interface mode set to NOVATEL and log out variants of the standard correction messages with a NovAtel header. ASCII or binary variants can be requested by appending an A or B to the standard message name. For example, on the base station:

```
interfacemode com2 novatel novatel
fix position 51.11358042 -114.04358013 1059.4105
log com2 rtkm1004b ontime 2
```



1. Interface mode must be set to NOVATEL for the receiver to issue logs with an A or B suffix.
2. Using the receiver in NOVATEL mode consumes more CPU bandwidth than using the native differential messages as shown in *Base Station Configuration* on page 46.
3. To find information on how to send multiple commands and log requests from a computer, search our knowledge database available at www.novatel.com/support/.

At the rover, leave the interface mode default settings (interfacemode com2 novatel novatel). The rover recognizes the default and uses the corrections it receives with a NovAtel header.

The **PSRDIFFSOURCE** command and **RTKSOURCE** command set the station ID values that identify the base stations to accept pseudorange or RTK corrections from. They are useful commands when the rover station is receiving corrections from multiple base stations.

3.5 ALIGN Heading Master and Remote Configurations

ALIGN technology combines two or more receivers to generate high precision heading and pitch angles between two receivers for real-time navigation

This section provides instructions for setting up a master station with an ALIGN capable rover receiver for applications that require heading output. Refer to [APN-048 ALIGN Overview and Setup](http://www.novatel.com/support/), available at www.novatel.com/support/

3.5.1 Automatic Set Up for Direct-Wire Connection between Master and Rover via COM2

The **ALIGNAUTOMATION** command must only be sent to the rover.

```
ALIGNAUTOMATION ENABLE
```

or

```
ALIGNAUTOMATION ENABLE COM2 230400 10 ON
```

3.5.2 Manual Set Up via COM2

Master:

serialconfig com2 9600 N 8 1 N on

```
interfacemode com2 novatel novatelx off
```



```
movingbasestation enable
log com2 novatelxobs ontime 1
log com2 novatelxref ontime 1
log headinga onnew
log gphdt onnew
```

Rover:

```
serialconfig com2 9600 N 8 1 N on
interfacemode com2 novatelx novatel off
log com2 headingext2b onnew
log headinga onnew
log gphdt onnew
hdtoutthreshold 1.0
```

3.6 GLIDE

NovAtel's GLIDE™ is a positioning algorithm for single-frequency GPS and GPS/GLONASS applications. GLIDE produces a smooth position output tuned for applications where time relative accuracy (pass-to-pass) is more important than absolute accuracy. Because of this, it is well suited for agricultural applications.

Multipath signals tend to induce time varying biases and increase the measurement noise on the L1/L2 pseudorange measurements. Carrier phase measurements are much less susceptible to the effects of multipath. The GLIDE algorithm fuses the information from the L1 code and the L1 phase measurements into a Position Time Velocity (PVT) solution.

GLIDE includes settings for a dynamic mode, a static mode and an "auto" mode, where the filtering parameters are automatically adjusted as vehicle velocity varies between stationary and dynamic states.

3.6.1 Dual-Frequency GLIDE

NovAtel's dual-frequency GLIDE technology adds to the superior pass-to-pass performance provided by single-frequency GLIDE. Dual-frequency GLIDE is ideal for agricultural and machine guidance applications where relative positioning is critical. Using GLIDE significantly reduces the variation in position errors to less than 1 cm from one epoch to the next. Dual-frequency GLIDE improves the absolute accuracy of the GLIDE position and creates a robust solution resistant to the effects of high ionospheric activity. GLIDE works in all code positioning modes, including single point, DGNSS, SBAS and L-Band.

Refer to the NovAtel white paper on [GLIDE Technology](#) for more information on GLIDE and [APN-038 Pseudorange/Delta-Phase \(PDP\) and GLIDE Filters](#) along with other information available from www.novatel.com/support/search/.

3.6.2 PDP and GLIDE Configurations

Pseudorange/Delta-Phase (PDP) and GLIDE position filters can be used for single-frequency single point, WAAS or DGPS positioning. Refer to the **PDPFILTER** command and **PDPMODE** command in the OEM7 Commands and Logs Reference Manual (OM-20000169).

To reset the PDP or GLIDE filter:

```
pdpfilter reset
```

To enable the PDP filter:

```
pdpfilter enable
```

Ensure the **PDPFILTER** command is used before the **PDPMODE** command. Set the PDP type and kinematic type according to the application. For most kinematic applications:

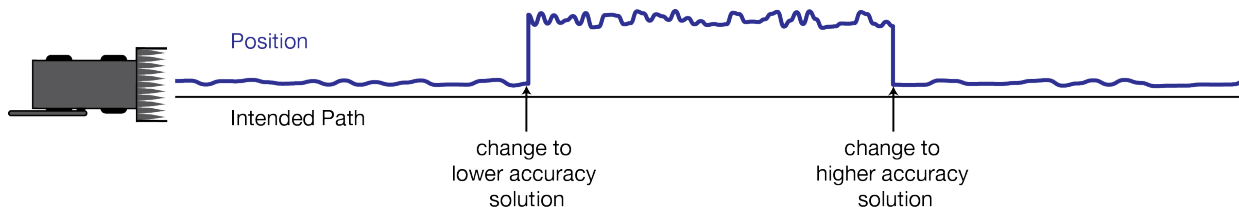
```
pdpmode relative dynamic OR pdpmode relative auto
```

The rest of the setup is position type and log dependent according to the application. For example, details of the **RTKSOURCE**, **PSRDIFFSOURCE**, **INTERFACEMODE**, **SERIALCONFIG** and other configuration commands are outlined in the OEM7 Commands and Logs Reference Manual (OM-20000169). Also refer to the NovAtel application note [APN-038 Pseudorange/Delta-Phase \(PDP\) and GLIDE](#) available from our web site (additional Application Notes available at www.novatel.com/support/).

3.7 STEADYLINE®

The STEADYLINE functionality helps mitigate the discontinuities that often occur when a GNSS receiver changes positioning modes. The effect is especially evident when a receiver transitions from an RTK position mode solution to a lower accuracy “fall back” solution, such as NovAtel CORRECT PPP, DGPS, WAAS+GLIDE or even autonomous GLIDE (see *Figure 16: Positioning Change Without STEADYLINE* below). Smooth transitions are particularly important for agricultural steering applications where sudden jumps are problematic.

Figure 16: Positioning Change Without STEADYLINE



The STEADYLINE feature internally monitors the position offsets between all the positioning modes present in the receiver. When the current positioning mode becomes unavailable, the receiver transitions to the next most accurate positioning mode.

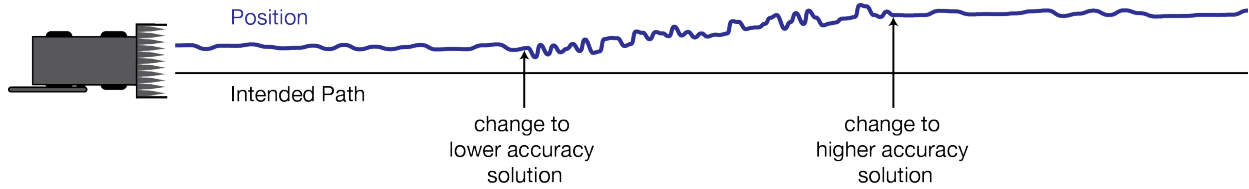
The setting in the **STEADYLINE** command determines how the receiver transitions to the next positioning mode. The following sections describe the STEADYLINE modes.



For more information about the **STEADYLINE** command, refer to the OEM7 Commands and Logs Reference Manual (OM-20000169).

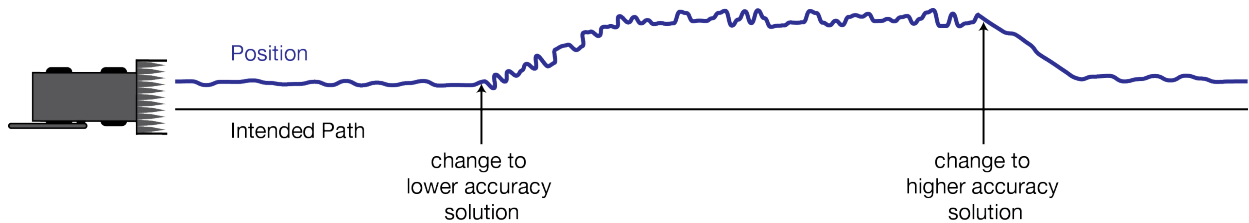
3.7.1 Maintain

When the receiver transitions to a different positioning mode, it maintains the position offset calculated to limit a potential real position jump. The receiver continues to apply the position offset to all positions calculated in the new positioning mode.

Figure 17: STEADYLINE Maintain

3.7.2 Transition

When the receiver transitions to a different positioning mode, the position offset is applied to the calculated position to limit a potential real position jump. The position then slowly transitions to the new reference position type over a specified period of time. This time period is specified by the Transition time parameter in the **STEADYLINE** command.

Figure 18: STEADYLINE Transition

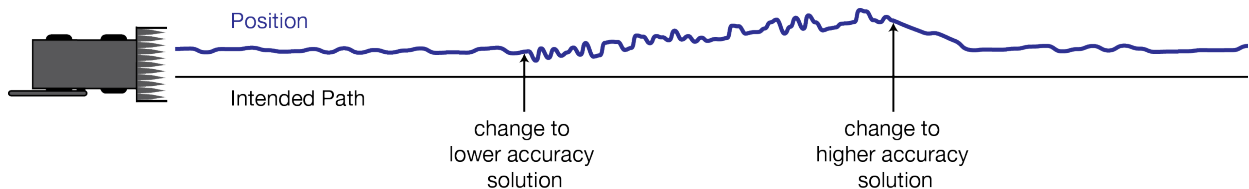
3.7.3 Prefer Accuracy

The positioning mode change depends on the accuracy level of the positioning modes.

When the position mode is changing from a more accurate mode to a less accurate mode (e.g., changing from RTK to GLIDE), the receiver uses the Maintain option.

When the position mode is changing from a less accurate mode to a more accurate mode (e.g., GLIDE to RTK), the receiver uses the Transition option.

For example, a receiver is configured to do both RTK and GLIDE. If this receiver has a fixed RTK position and experiences a loss of correction data causing the loss of the RTK solution it will immediately apply the offset between the two position modes and uses the GLIDE position stability to maintain the previous trajectory. Over time the GLIDE (or non-RTK) position will experience some drift. Once the RTK position is achieved again the receiver will start using the RTK positions for position stability and will slowly transition back to the RTK positions at a default rate of 0.005 m/s or the time specified in the **STEADYLINE** command.

Figure 19: STEADYLINE Prefer Accuracy

3.7.4 UAL



UAL mode will not function unless UALCONTROL is enabled using the **UALCONTROL** command.

The STEADYLINE mode used depends on the BESTPOS and GPGGA solution types.

When the solution type is OPERATIONAL, the receiver uses the Maintain option.

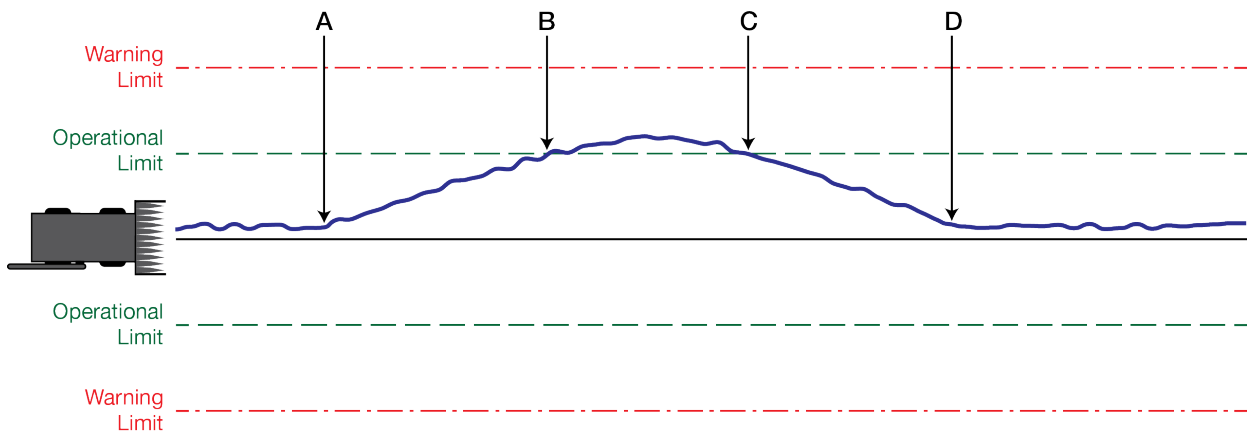
When the solution type is WARNING, the receiver uses the Prefer Accuracy option. When the receiver changes from WARNING to OPERATIONAL, it will continue to use the Prefer Accuracy option until any existing offset is gone.

When the solution type is OUT_OF_BOUNDS, the STEADYLINE feature is disabled.

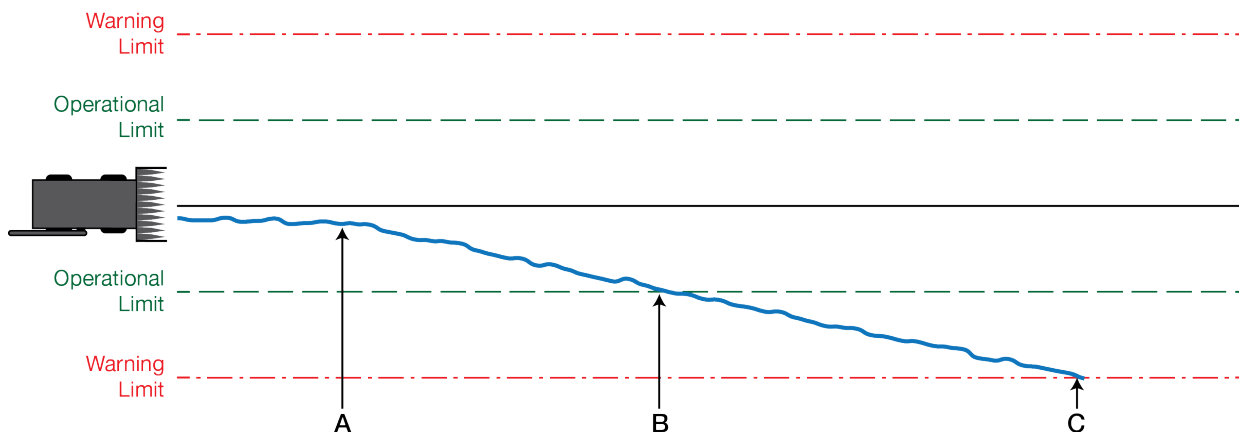
The thresholds used to determine the solution type (OPERATIONAL, WARNING or OUT_OF_BOUNDS), can be specified using the **UALCONTROL** command. Refer to the OEM7 Commands and Logs Reference Manual (OM-20000169) for more information.

Figure 20: STEADYLINE UAL- Warning Limit Example below and Figure 21: STEADYLINE UAL - Out of Bounds Example on the next page show examples of STEADYLINE using the UAL mode.

Figure 20: STEADYLINE UAL- Warning Limit Example



- A Position type is OPERATIONAL.
Higher accuracy corrections are lost. The receiver changes to a lower accuracy solution. STEADYLINE operates in Maintain mode while the solution accuracy remains within the Operational limit.
- B The solution accuracy exceeds the operational limit. The position type changes to WARNING. The STEADYLINE mode changes from Maintain to Prefer Accuracy.
- C The solution accuracy moves back within the operational limit. The position type changes to OPERATIONAL. The STEADYLINE mode remains in Prefer Accuracy mode.
- D The solution offset is removed. The STEADYLINE mode changes from Prefer Accuracy to Maintain.

Figure 21: STEADYLINE UAL - Out of Bounds Example

- A The position type is OPERATIONAL. Higher accuracy corrections are lost. The receiver changes to a lower accuracy solution. STEADYLINE operates in Maintain mode while solution accuracy remains within the Operational limit.
- B The solution accuracy exceeds the operational limit. The position type changes to WARNING. The STEADYLINE mode changes from Maintain to Prefer Accuracy.
- C The solution accuracy exceeds the warning limit. The position type changes to OUT_OF_BOUNDS. STEADYLINE is disabled.

3.8 Enabling SBAS Positioning

OEM7 family receivers are capable of SBAS positioning. This positioning mode is enabled using the **SBASCONTROL** command:

```
sbascontrol enable auto
```

When the command is entered, the OEM7 family card automatically tracks the SBAS that is operating in the region (e.g., WAAS or EGNOS) and applies the corrections from the service. On a simulator, leave the test mode parameter off or specify NONE explicitly. For more on SBAS, refer to application note [APN-051 Positioning Modes of Operation](#) (additional Application Notes available at www.novatel.com/support/).

3.9 Enabling NovAtel CORRECT with PPP

L-Band equipped receivers can achieve sub-metre position accuracy using correction data received from geostationary satellites. To use the L-Band corrections, an L-Band-capable receiver model and antenna are required (refer to our web site www.novatel.com/products/gnss-antennas for information on NovAtel L-Band-capable antennas).

For more information on L-Band positioning, refer to:

- NovAtel Application Notes: *APN-061 NovAtel CORRECT with TerraStar* or *APN-062 NovAtel CORRECT with Veripos* (service dependent) available from www.novatel.com/support/search/items/Application%20Note
- the OEM7 Commands and Logs Reference Manual (OM-20000169) for log/command details and/or

- visit www.novatel.com/support
- visit www.novatel.com/products/novatel-correct

3.9.1 TerraStar Subscriptions

A subscription is required to use TerraStar service for land, airborne and near shore applications. Near shore applications are defined as vessels operating within 10 km of shore. To obtain a subscription, contact your local NovAtel sales representative or visit www.novatel.com/products/terrestar-gnss-corrections. The NovAtel product serial number (PSN) is needed to obtain a subscription. To obtain the receiver serial number, enter the following command:

```
log versiona once
```

To activate a subscription, the receiver must be powered and tracking an L-Band TerraStar satellite prior to the planned activation time. Use the **ASSIGNLBANDBEAM** command to configure the receiver to track the TerraStar satellite.

```
ASSIGNLBANDBEAM auto
```

To confirm tracking of an L-Band signal, log the L-Band tracking status information by entering the following command:

```
log lbandtrackstata
#LBANDTRACKSTATATA,COM1,0,73.5,FINESTEERING,1769,328196.000,00000000,29fd,
12602;1,"98W",1539902500,1200,974c
00c2,0,-316.186,43.842,4.3840,61.920,1088,2,2,138176,79,0.0001*3e43cb7d
```

If receiving an L-Band signal from a geostationary satellite, the sixth field following the header (tracking status word) of the LBANDTRACKSTAT log will be 00c2, as shown in the following example:



The latest services and coverage can be obtained from www.novatel.com/products/novatel-correct-ppp/. For additional information on TerraStar activation, contact NovAtel Customer Service at www.novatel.com/support or download *APN-061 NovAtel CORRECT with TerraStar* from: www.novatel.com/support/search/items/Application%20Note

To confirm the TerraStar subscription status, send the **TERRASTARSTATUS** log:

```
log terrastarstatus
[COM1]<TERRASTARSTATUS COM1 0 74.0 FINESTEERING 1886 418216.025
00000020 fdc1 13386
ENABLE LOCKED 0 IN_RANGE DISABLED
[COM1]
```

The first field after the log header will be **ENABLED** to indicate the the TerraStar subscription is valid. The second field after the log header will be **LOCKED** to indicate the decoder is locked to the data format.

To monitor the PPP convergence, send the **PPPPOS** log:

```
log ppppos ontime 1
```

```
[COM1]<PPPPPOS COM1 0 76.0 FINESTEERING 1886 418465.000 00000020 ec34
13386
      SOL_COMPUTED PPP_CONVERGING 51.11679035745 -114.03886212905
1064.9475
      -16.9000 WGS84 0.7097 0.6867 1.2333 "TSTR" 25.000 0.000 18 17 17
17 00 00 00 33
[COM1]
```

3.9.2 Veripos Subscriptions



Subscriptions to the Veripos Apex and Apex² marine services must be obtained directly from Veripos. A unit with a marine subscription can not be switched to a land subscription and vice versa.

A subscription is required to use the [Veripos services](#) for offshore marine applications. Contact Veripos sales at www.veripos.com/support.html to obtain a Service Access License (SAL) number. To activate the service, contact the Veripos Help Desk at +44 (0) 1224 527 104 or visit www.veripos.com/support.html. Provide the SAL number and the receiver's Veripos Serial Number (VSN). To obtain the receiver-specific VSN, enter the following command:

```
log veriposinfo
```

The log displays the VSN in the first field following the log header and also displays the status of your subscription.

To activate a subscription, the receiver must be powered and tracking an L-Band Veripos satellite prior to the planned activation time. Use the **ASSIGNLBANDBEAM** command to configure the receiver to track the Veripos satellite.

```
ASSIGNLBANDBEAM auto
```



The latest services and coverage can be obtained from www.veripos.com. For additional information on Veripos activation, contact NovAtel Customer Service at www.novatel.com/support or download the APN-062 NovAtel CORRECT with Veripos from: www.novatel.com/support/search/items/Application%20Note

3.10 RTK ASSIST

RTK ASSIST is a feature that enables centimetre-level accuracies to be maintained through extended RTK correction outages. With RTK ASSIST, RTK-dependent operations can continue through RTK correction outages as long as 20 minutes.

RTK ASSIST uses correction data provided by TerraStar. To obtain these corrections, an L-Band capable receiver is required and L-Band tracking must be enabled using the **ASSIGNLBANDBEAM** command.

RTK ASSIST also requires a subscription to the RTK ASSIST service. To obtain a subscription, contact your local NovAtel sales representative or visit www.novatel.com/products/terrastar-gnss-corrections/. The NovAtel product serial number (PSN) is needed to obtain a subscription. The PSN is available from the **VERSION** log.

RTK ASSIST is available as soon as the rover receiver has at least one valid RTK solution and has received the RTK ASSIST correction data. If an RTK correction outage occurs, then RTK ASSIST will maintain RTK mode until the subscription-permitted RTK ASSIST duration is exceeded. A shorter, user-defined RTK ASSIST time out can also be set using the **RTKASSISTTIMEOUT** command. Normal RTK operation will seamlessly resume if RTK corrections are restored at any point while RTK ASSIST is operating.

RTK ASSIST will report the RTK solution type that was present before RTK corrections were lost, unless the estimated solution standard deviation exceeds the threshold set by the **RTKINTEGCRITERIA** command. If this occurs, then integer RTK solutions will be downgraded to their float RTK equivalent.

RTK ASSIST is enabled by default, but can be disabled using the **RTKASSIST** command. To monitor the status of RTK ASSIST, view the **RTKASSISTSTATUS** log.

Refer to the OEM7 Commands and Logs Reference Manual (OM-20000169) for information about the commands and logs referenced in this section.



RTK ASSIST typically provides 4 cm accuracy. However, if the RTK outage occurs during the first 30 minutes of receiver operation, the position accuracy provided by RTK ASSIST may be lower.

3.11 Transferring Time Between Receivers

The **ADJUST1PPS** command is used as part of the procedure to transfer time between receivers. The number of Pulses Per Second (PPS) is always set to 1 with this command. It is typically used when the receiver is not adjusting its own clock and is using an external reference frequency.

The **TIMESYNC** log is also used to synchronize time between receivers. It contains a time status field that may show COARSE or FINE, among others. For a complete list of the time status values and definitions, refer to the GPS Time Status section in Chapter 1 of the OEM7 Commands and Logs Reference Manual (OM-20000169).

Procedures to Transfer Time on the next page provides details on the time transfer procedure. Terms used in the procedure are defined in *Time Definitions* below. Refer also to the **ADJUST1PPS** command and the **TIMESYNC** log descriptions in the OEM7 Commands and Logs Reference Manual (OM-20000169).

3.11.1 GPS to Receiver Time Synchronization

Receiver time synchronization with GPS time does not occur until the receiver locks onto the first satellite. The GPS L1 signal has two main streams of data modulated on the carrier. These data streams are the C/A code (1.023 MHz rate) and the P(Y) code (10.23 MHz rate). Additionally, a navigation message (at a 50 Hz rate) contains GPS satellite data including the ephemeris, clock corrections and constellation status. This navigation message is encoded on both the C/A and P(Y) codes. The navigation message is transmitted via individual subframes and each subframe is 300 bits in length. With the 50 Hz data bit rate there is a new subframe transmitted every six seconds.

3.11.2 Time Definitions

The following are related definitions:

Coarse Time

Each subframe contains the transmit time of the next subframe in seconds of GPS Time of Week (TOW). After the first subframe is collected and decoded by the receiver, an approximate calculation of the receiver clock offset can be made. The receiver clock offset is the difference between GPS time and internal receiver time. The calculation is based on subframe transmit time and the approximate propagation time from the satellite signal to the receiver. The position of the satellite and receiver clock offset are used to re-initialize the seconds counter on the receiver, resulting in receiver/GPS time synchronization. The accuracy of the receiver time is expected to be within 30 milliseconds (ms) of GPS time. This initial synchronization is referred to as coarse time and is indicated by COARSE in the time status field of the **TIMESYNC** log.

Fine Time

When at least four satellites are acquired to calculate the antenna position, a more accurate estimate of the receiver clock offset is calculated. The new receiver clock offset is used to synchronize the receiver clock even closer to GPS time. This is referred to as fine time and appears as FINE or FINESTEERING in the time status field of the **TIMESYNC** log. Fine time accuracy is a function of the GPS constellation status and is influenced by external receiver RF delay. For the Standard Position Service (SPS) the time accuracy is specified as 20 ns (1 sigma) with internal compensation.

Fine Clock

An OEM7 family receiver tracking satellites and has a FINE or FINESTEERING receiver clock state.

Cold Clock

An OEM7 family receiver that needs to have its clock synchronized with the Fine receiver. It may have any clock state (except FINE or FINESTEERING) that includes UNKNOWN.

Warm Clock

An OEM7 family receiver that has its clock adjusted to greater than 500 ms. Refer to the **TIME** log to view the clock offset.



The OEM7 Commands and Logs Reference Manual (OM-20000169) contains details of the logs mentioned above.

3.11.3 Procedures to Transfer Time

These procedures are used to transfer time between a fine clock and a cold or warm clock GPS receiver.



When connecting two receivers to transfer time, disable responses on the COM port used to connect the receivers by issuing the following command on both receivers:

```
interfacemode comX novatel novatel none
```

Where comX is the port used on the receiver.

Transfer COARSE Time (<10 ms) from a Fine Clock to a Cold Clock GPS Receiver

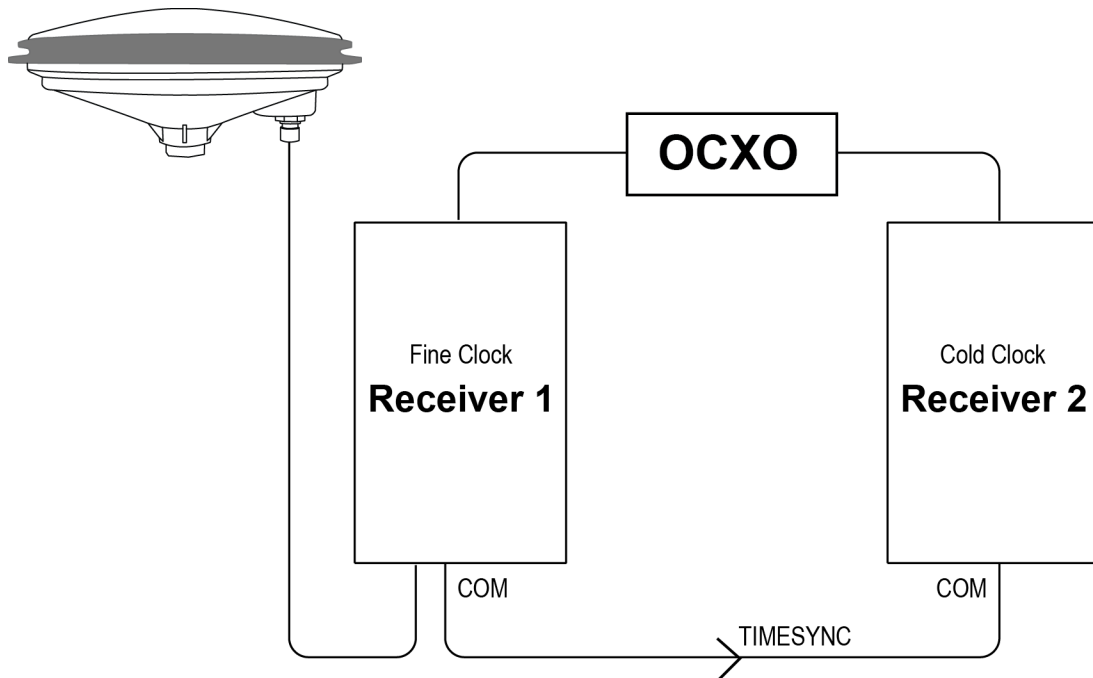
1. Connect a COM, USB or Ethernet port from the fine clock receiver to the cold clock receiver (for example, COM2 on the fine clock receiver to COM3 on the cold clock receiver) as shown in *Figure 22: Transfer COARSE Time from Fine Clock to Cold Clock Receiver* below. Configure both ports to the same baud rate and handshaking configurations.
2. Issue the following command to the fine clock receiver:


```
log com2 timesyncb ontime 1
```
3. Issue the following command to the cold clock receiver:


```
adjust1pps time
```

When the cold clock receiver receives the **TIMESYNC** log, it sets its clock with a 100 ms transfer delay allowance.

Figure 22: Transfer COARSE Time from Fine Clock to Cold Clock Receiver



Transfer FINE Time (<50 ns) from a Fine Clock to a Cold Clock GPS Receiver

1. Connect a COM, USB or Ethernet port from the fine clock receiver to the cold clock receiver (for example, COM2 on the fine clock receiver to COM3 on the cold clock receiver), as shown in *Figure 23: Transfer FINE Time from Fine Clock to Cold Clock Receiver* on the next page. Configure both ports to the same baud rate and handshaking configurations.
2. Issue the following command to the fine clock receiver:

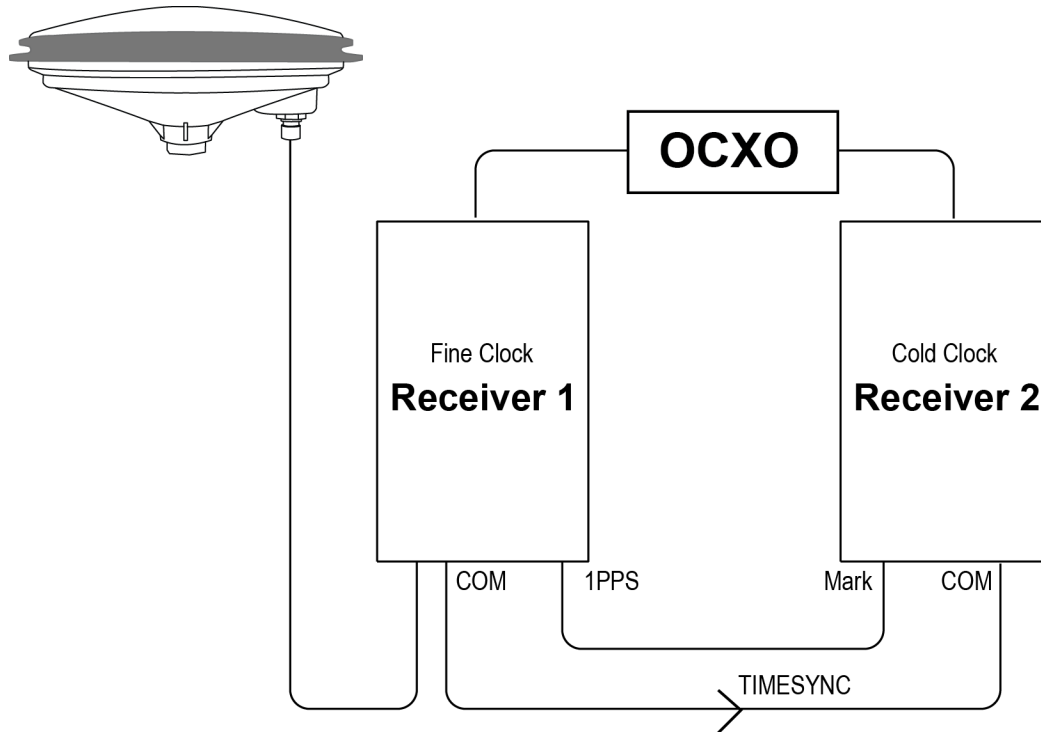

```
log com2 timesyncb ontime 1
```
3. Connect the 1PPS signal of the fine clock receiver to the Mark 1 input (Event1) of the cold clock receiver.

- Issue the following command to the cold clock receiver:

```
adjust1pps markwithtime
```

When the cold clock receiver receives the 1PPS event from the fine clock receiver, it checks to see if a valid **TIMESYNC** log has arrived within 200 ms of the last 1PPS event. If so, it sets the cold clock receiver clock to the time of the fine clock receiver. See *Figure 25: 1 PPS Alignment* on the next page.

Figure 23: Transfer FINE Time from Fine Clock to Cold Clock Receiver



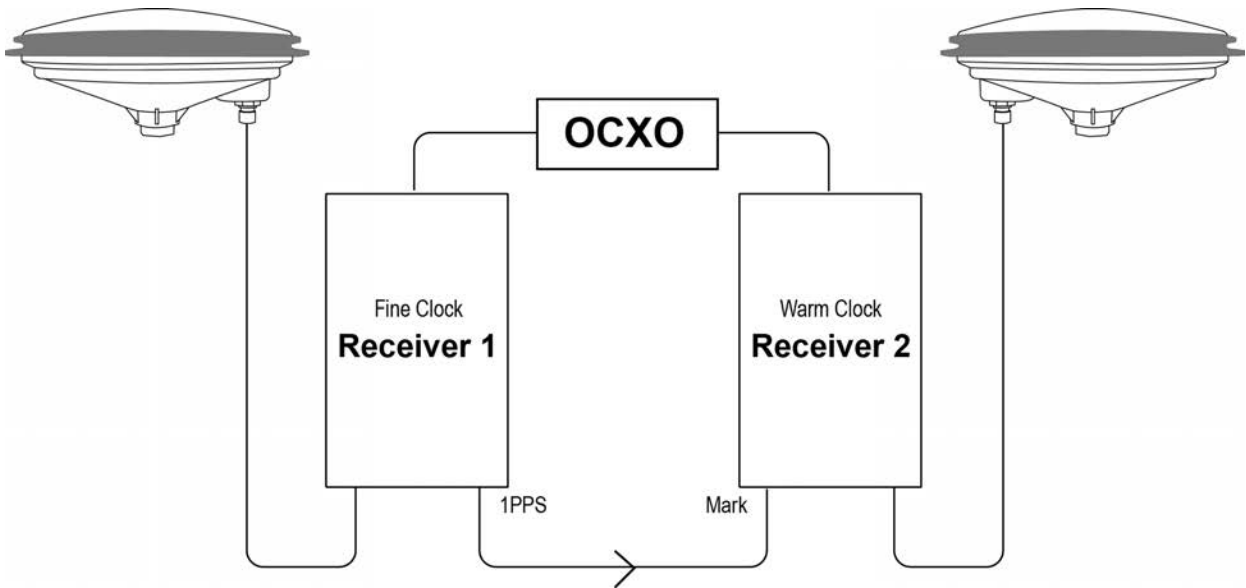
Transfer FINE Time from a Fine Clock to a Warm Clock GPS Receiver

- Connect the 1 PPS signal of the fine clock receiver to the Mark 1 input (Event1) of the warm clock receiver as shown in *Figure 24: Transfer FINE Time from Fine Clock to Warm Clock Receiver* on the next page.
- Issue the following command to the warm clock receiver:

```
adjust1pps mark
```

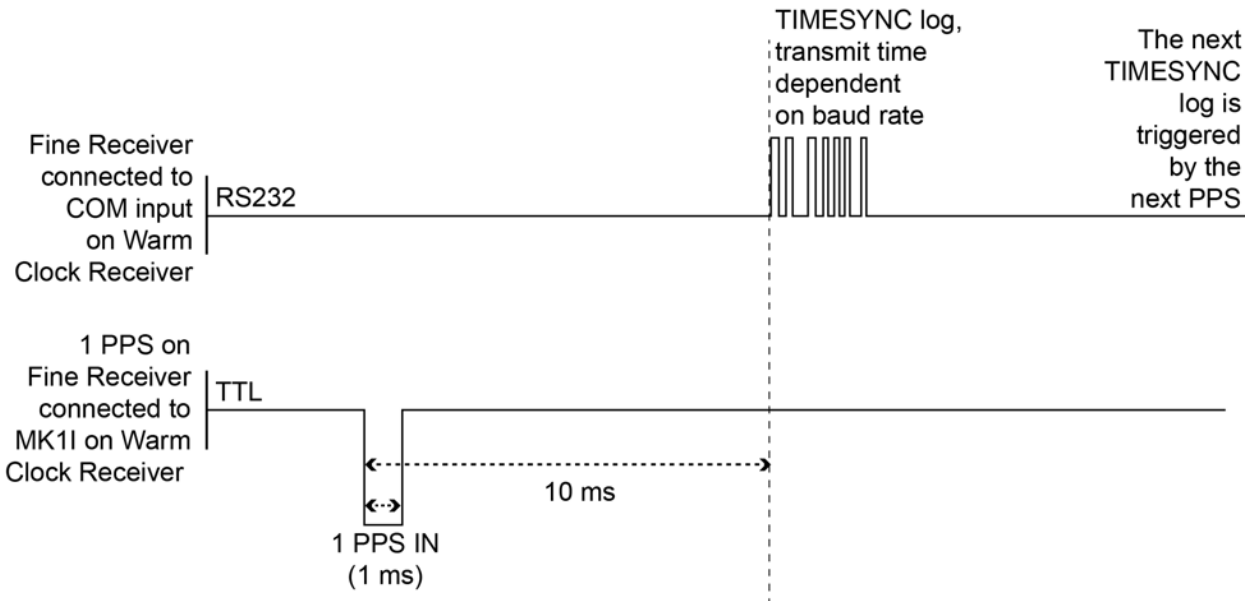
The phase of the warm clock receiver clock is adjusted by the fractional measurement of the fine clock receiver's 1 PPS mark input event. In other words, it synchronizes the warm clock receiver's 1 PPS to the incoming 1 PPS of the fine clock receiver. It does not adjust the one second TOW counter or the receiver's week number. This procedure is used to make small corrections to the warm clock receiver's clock.

Figure 24: Transfer FINE Time from Fine Clock to Warm Clock Receiver



If Receiver 2 is not in coarsetime, the input is ignored.

Figure 25: 1 PPS Alignment



The examples shown in *Figure 22: Transfer COARSE Time from Fine Clock to Cold Clock Receiver* on page 58, *Figure 23: Transfer FINE Time from Fine Clock to Cold Clock Receiver* on the previous page and *Figure 24: Transfer FINE Time from Fine Clock to Warm Clock Receiver* above are for the transfer of time. If a position is needed, the receiver must be tracking satellites and must have a valid almanac.

3.12 Interference Toolkit

The Interference Toolkit (ITK) feature monitors, quantifies and removes interference sources to prevent interference from impacting receiver performance.

Using the Interference Toolkit, you can monitor the Radio Frequency (RF) spectrum in a range of frequencies around the GNSS signals that are being received by the OEM7 receiver. By plotting the information obtained, you can determine if there is an interference signal within the GNSS signal band.



Auto-detect functionality applies to in-band interference only. It does not detect out-of-band interference. Future firmware releases of NovAtel OEM7 products will expand functionality to include out-of-band interference detection.

Signals available are model dependent. A variety of mitigation techniques are available. Contact www.novatel.com/where-to-buy/sales-offices to activate full mitigation features.

3.12.1 Monitoring GNSS Signals

By default, interference detection is enabled. Detection can be disabled/enabled as needed. See *Disable Default Detection/Enable Detection* below for instructions. Detected interference can be viewed and different tracking modes with possible additional filters can be applied to mitigate the interference using NovAtel's software called NovAtel CONNECT 2.0. Detected interference details can also be logged and analyzed using the command line interface. The following discusses both methods.

Download NovAtel Connect from www.novatel.com/support/info/view/firmware-options, install and open a connection to the OEM7 receiver.

Details regarding all Interference Toolkit logs and commands can be found at docs.novatel.com/OEM7.

Disable Default Detection/Enable Detection

The auto-detect feature can be enabled/disabled from any command line or the command line within NovAtel CONNECT 2.0 using the **ITINTERFERENCEDETECT** command. Also, certain parameters around the detection algorithm can be configured.

Issue: ITINTERFERENCEDETECT none

Issue: ITINTERFERENCEDETECT default 1000 4k 10 5

Example:

```
<OK
[USB1]<ITINTERFERENCEDETECT USB1 0 81.0 UNKNOWN 0 0.216 02004020 9fc0 14137
< DEFAULT 1000 4K 10 5
[USB1]
```

3.12.2 Monitoring Signals Using a Command Line

Use the results to examine the signals that are being received by the OEM7 receiver and determine if there is an interference signal within the GNSS signals.

Issue: ITSPECTRALANALYSIS mode [frequency] [updateperiod] [FFTsize] [timeavg] [subcarrieravg]

This command is used to view the spectrum in a range of frequencies. The spectrum can be viewed by plotting the PSD samples in the **ITPSDFINAL** log; the **ITSPECTRALANALYSIS** command only enables and configures the spectral analysis.

Example:

```
<OK
[USB1]<ITSPECTRALANALYSIS USB1 0 82.5 COARSESTEERING 1933 162368.783
02004020 73eb 14137
< PREDECIMATION GPSL1 200 2K 1 1
```

Issue: ITPSDFINAL onnew

When logged, incoming signal information is collected at the rate specified in the **ITSPECTRALANALYSIS** command.

Example:

```
[USB1]<ITPSDFINAL USB1 0 80.5 FINESTEERING 1933 162997.194 02004020 b79a
14137
< 04020920 1531.250 97656.250 1024 36477 36715 37072 37369 37289 37157 36659
36511 36542 36942 36967 36623 36211 36321 36731 36691 36365 35890 36353
36490 36490 36105 36248 36059 36207 35858 36232 35830 35995 36037 36336
36667 36589 36623 36297 36482 36385 36736 36997 37254 36679 36179 36099
36017 36136 36414 36954 36946 36426 36465 35723 35751 35563 36003 36162
36228 36524 36709 36742 36939 36985 37173 37002 36906 36939 37103 37150
36829 36697 36342 36280 36113 36310 36268 36382 36309 36404 36558 36557
36343 36078 36112 36235 36311 36300 36601 36686 36640 36773 36932 37208
37083 37127 37325 37432 37533 37369 37274 36784 36749 36763 37053 36914
36956 37080 37314 37277 37175 37101 36783 36640 36466 36717 36984 37162
36841 36114 35696 36147 36851 37415 37258 37130 36980 36920 36829 36493
36226 36253 36742 36745 36945 36719 36980 36780 36719 37200 37740 38007
37325 37499 38053 39143 39313 39453 39175 38649 38463 38451 38910 38926
39327 39351 39811 39828 39791 39543 39180 39357 39820 40528 40544 40512
40597 40783 40659 40813 41177 41425 41421 41396 41411 41035 40921 40512
40950 41301 41805 41442 41475 41823 42345 42551 42472 42055 41643 41774
42374 42766 42707 42611 42435 42305 41882 41917 41776 42055 42224 42076
41994 41692 41654 41574 41541 41855 42115 42560 42587 42502 42186 42121
42091 42307 42611 43060 43089 42550 42083 42098 42583 42723 42628 42479
42289 42484 42662 43026 42888 42662 42649 42614 42320 41473 41211 41554
42090 42110 41661 41945 42286 42625 41775 41584 40873 41646 41642 42501
42069 42390 42801 43554 42979 42539 41943 41478 41241 41459 42094 42513
42628 42684 42624 42888 42944 43474 43780 44595 44483 44214 43784 43319
43035 42881 43117 43705 43648 43050 42313 41752 41593 41493 41472 41334
41452 42085 42717 42675 42510 42164 42395 42450 42583 42072 42072 42068
42254 42111 42229 42320 42491 42352 42542 42279 42268 42051 42316 42674
42720 42132 42085 42185 42594 42223 41764 41623 41757 41911 41751 41868
42185 42727 42702 42540 42207 42294 41979 41915 41726 41779 41862 41685
41991 41997 42321 42357 42274 42263 42219 42339 42352 42312 42221 41634
41229 41167 41479 41504 41645 41933 42026 41807 41386 41333 41313 41369
```

41674	41434	41242	41393	41722	41647	41020	40570	40877	41354	42045	42186
42247	42027	41852	41887	41977	42068	41898	41557	41638	41726	42107	42157
42135	42109	41938	42036	41707	42024	41826	41810	41102	41074	41125	41686
41967	42245	42024	41829	41883	41932	41903	41431	41508	41582	41790	41504
41690	41847	42298	42112	42093	41901	41765	41783	41768	41870	41952	41678
41388	41162	41371	41703	41888	42023	41907	41721	41543	41765	41912	41641
41333	41298	41381	41433	41228	41119	41017	41124	41339	41396	41556	41596
40919	40701	40888	41643	41654	41500	41406	41611	42076	42493	42435	41465
40892	40941	41743	41536	41604	41545	42264	42297	41841	41699	41331	41513
41467	41532	41636	41634	41383	41183	41206	41250	41311	41052	41083	40945
40995	40831	40748	40709	41234	41613	41611	41520	41678	41502	41287	40876
41210	41548	41796	41156	41074	41323	42133	42298	41328	40960	40189	40132
40249	40804	41492	41515	41250	41110	41267	41521	41605	41545	41431	41415
41198	41081	40925	40965	41425	41980	41924	41308	40856	40696	40905	41117
41495	41048	40635	40426	40926	41185	41511	41722	41739	41443	41206	41008
41124	41224	41093	40906	40485	40705	40565	40344	40196	40019	40382	40400
40841	40781	40434	40107	40222	40619	40744	40887	40869	41037	40960	41062
40848	41107	41136	41014	40640	40437	40547	40505	40893	41363	41635	41222
40617	40443	40781	41007	41175	41080	41202	41004	41188	41190	41217	41256
40911	41007	40861	41085	41236	41524	41716	41423	41052	40830	40989	40795
41074	41315	41750	41795	41800	41686	41525	41098	40739	40699	40799	41407
41588	41817	41585	40928	40579	40524	40843	40859	40642	40729	41033	41149
41452	41715	42062	41921	41687	41595	41719	41695	41420	40854	40829	40815
40830	40860	41121	40536	40470	40488	41575	41456	41199	41198	41455	41646
41315	40895	40539	40774	40824	40881	40877	40811	41029	41217	41436	41015
40594	40579	41240	41712	41979	41900	41601	41217	40053	40052	40081	40778
40761	41032	41324	41394	41217	41165	41117	41089	40943	41206	41553	41691
41408	41024	41047	41427	41631	41613	41289	41072	41233	41281	41421	41631
41777	41788	41409	40971	40803	41164	41737	41995	41627	41735	41806	42068
41904	41657	41295	41088	41306	41304	41048	40917	41316	41711	41699	41369
41178	40810	40856	40420	40824	40806	41033	40432	40698	41063	41835	41829
41529	41033	40746	41187	41738	41637	41263	40828	40982	40577	40346	40358
41022	41524	41385	40857	40646	41024	41190	41116	41005	41125	41378	41531
41837	42332	42566	42484	42249	41938	41756	41602	41770	42149	42154	41627
40839	40385	40627	41296	41838	42060	41668	41153	40705	40300	40231	39978
40840	41315	41464	41220	40861	40842	40730	41052	41527	41716	41746	41932
42226	42631	42761	42454	41993	41498	41657	41768	41743	41315	41096	41313
41644	41719	41550	41333	41312	41404	41424	41373	40730	40584	40460	40661
40129	40341	40769	41036	40725	40339	40541	40632	40602	40815	41020	41447
41473	41443	41145	40874	40871	41037	40867	40557	40349	40079	40196	40256
40268	40228	40324	41072	41257	40953	40356	40002	39914	39815	39862	39873
39952	39442	39114	38912	39086	39538	39727	39560	39129	39121	39186	39260
39355	39753	39980	39471	39263	38847	38928	38394	38424	38302	38333	38053
37942	37742	37511	37574	37649	37757	37503	37592	37579	37576	37348	37216
37284	37387	37538	37754	38000	38207	38052	37709	37278	36946	36904	37103
37234	37481	37558	37418	37065	36873	37012	37169	36897	36701	36506	36664
36674	36880	36963	37243	37337	37543	37391	36723	36402	36757	37549	37530
36550	36157	36423	37175	37264	37144	36676	36450	35872	36116	36097	36431
36455	36651	36868	37243	37410	37655	37562	37327	36952	36885	36757	36690
36399	36155	35981	36043	36676	36943	37053	36657	36700	36365	36442	36668

```

37097 37335 37103 36997 36776 36815 36832 36720 36741 36509 36424 36357
36588 37008 37268 37349 36990 36475 36531 36460 36671 36392 36659 36773
36901 36916 37020 36898 36895 36499 36368 36068 36299 36201 36066 35929
36143 36289 36417 36483 36546 36370 36007 36330 36691 37020 36199 35882
35996 36942 36987 37067 36943 36670 35970 35373 35816 36304 36158 35112
34855 35316 36138 36070 36106 36017 36229 36199 36251

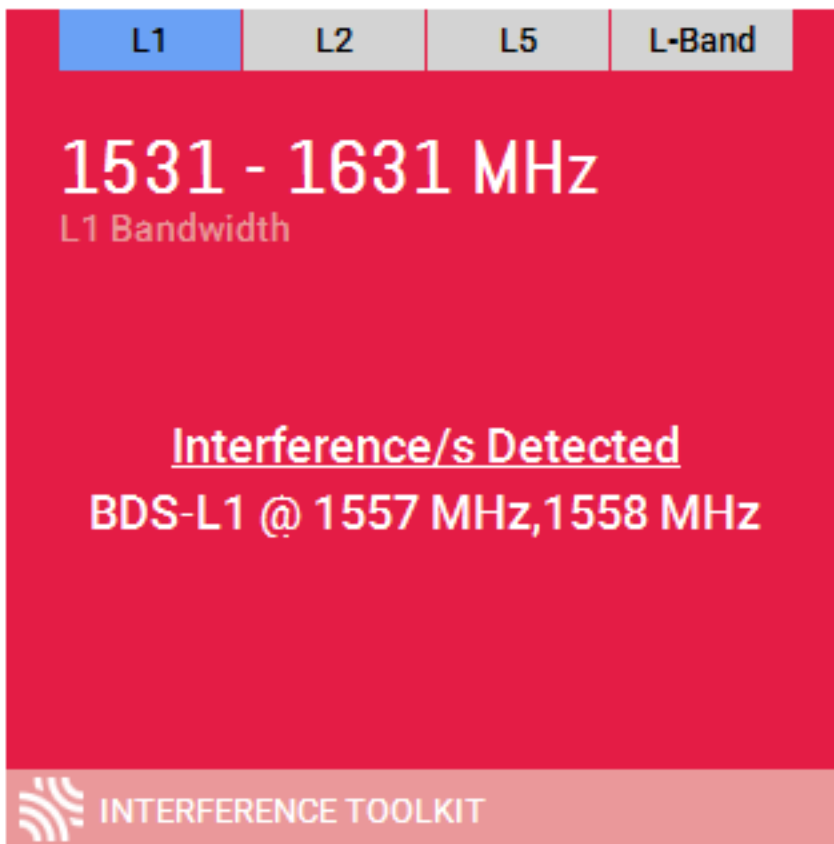
```

[USB1]

3.12.3 Monitoring Signals Using NovAtel CONECT 2.0

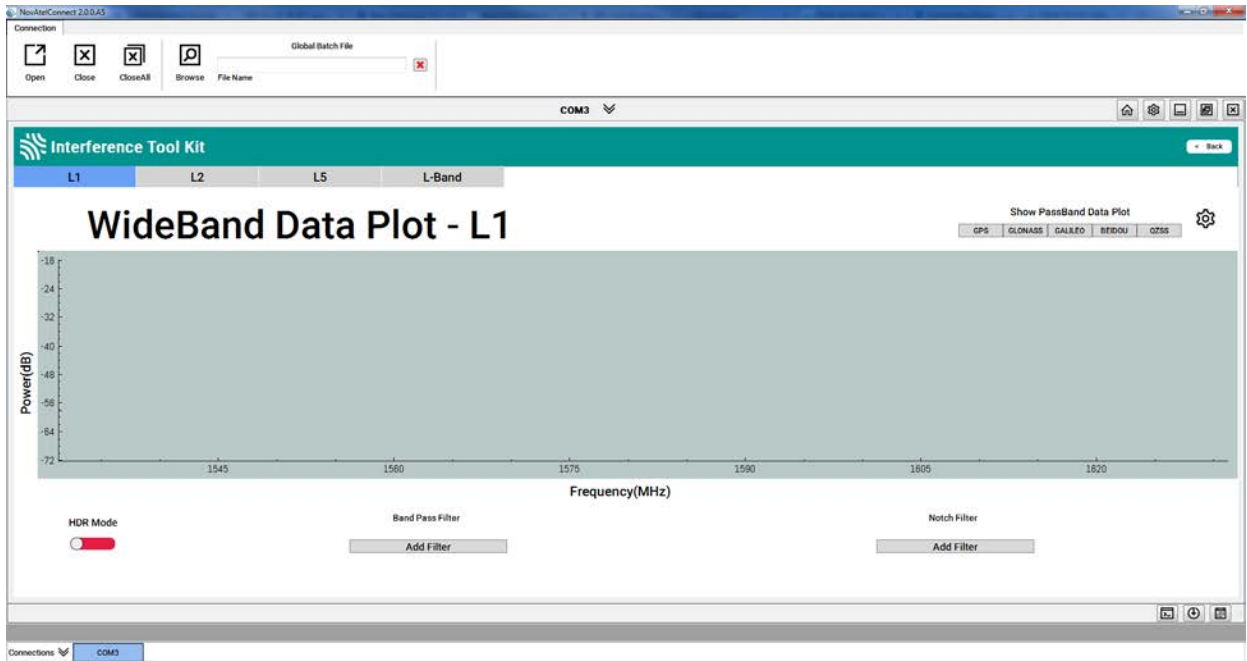
Download NovAtel Connect from www.novatel.com/support/info/view/firmware-options, install and open a connection to the OEM7 receiver.

With CONNECT 2.0 open, scroll down to the Interference Toolkit and double click on the Interference/s Detected tile.

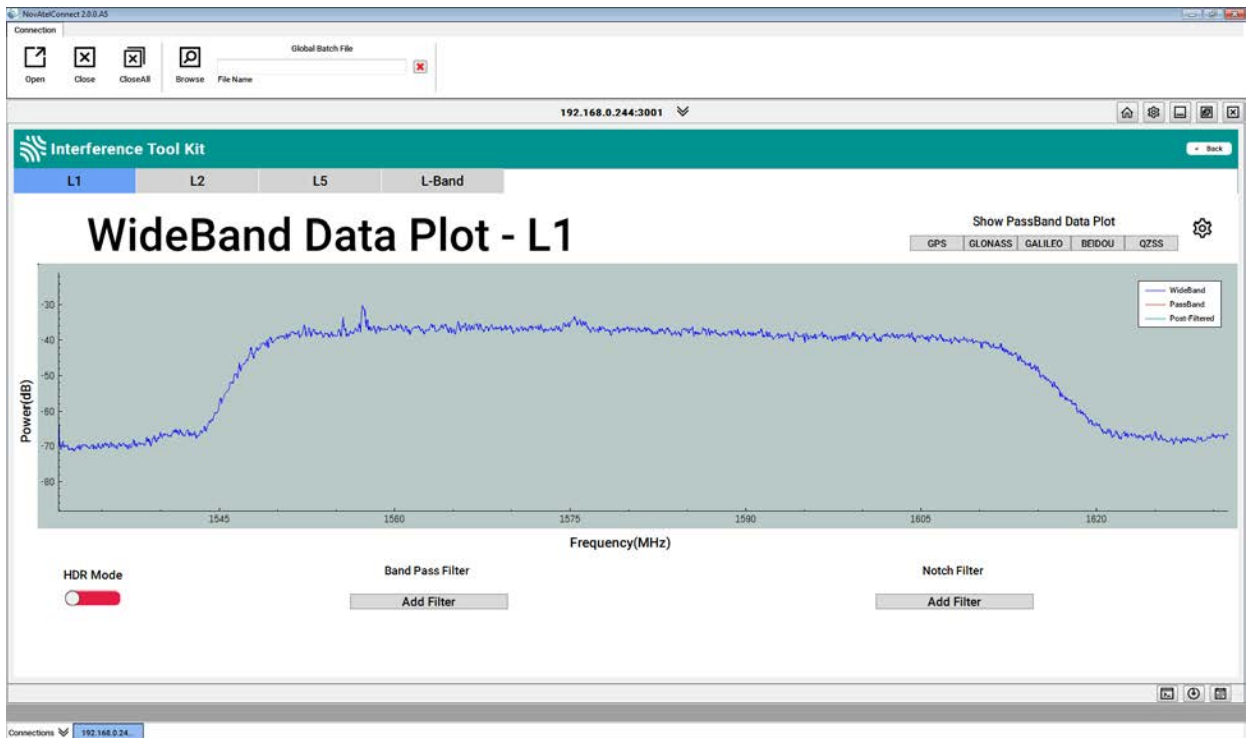


The tile displays red when interference is detected; displays green when no interference is present.

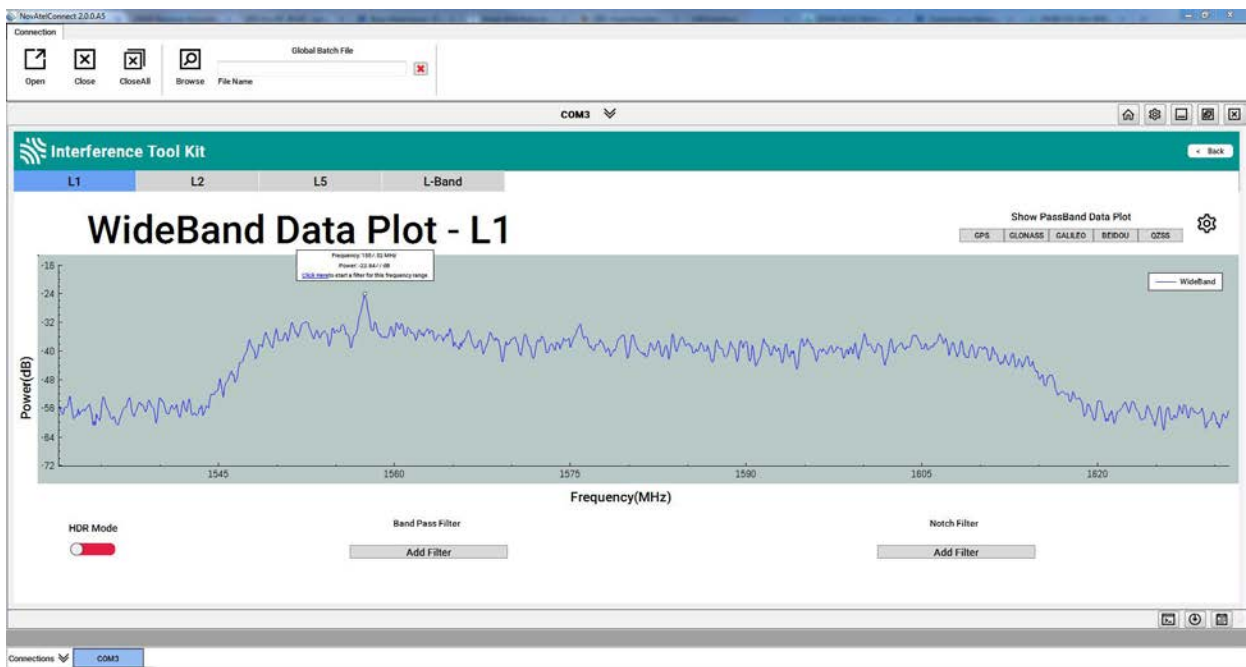
The Interference Toolkit window opens:



The following example shows a typical signal.



Placing the cursor over any place in the signal band will display additional information regarding that location in the signal band.



3.12.4 Configure Filters

To configure HDR mode, use the **ITFRONTENDMODE** command. To configure a bandpass filter, use the **ITPROGFILTCONFIG** command or the **ITBANDPASSCONFIG** command.

The notch and bandpass filters can also be configured using NovAtel CONNECT. Download NovAtel Connect from www.novatel.com/support/info/view/firmware-options, install and open a connection to the OEM7 receiver.

3.12.5 Remove Interference Signals

If an interference signal is present, the Interference Toolkit can reduce or eliminate the impact on GNSS tracking using the programmable High Dynamic Range (HDR), Bandpass or Notch filters.

Contact www.novatel.com/where-to-buy/sales-offices to obtain mitigation functionality.

High Dynamic Range Mode

The High Dynamic Range (HDR) mode enables special signal processing to remove distortions from the spectrum, providing a cleaner signal. This optimizes the Automatic Gain Control (AGC) to prevent interfering signals from drowning out the GNSS signals. HDR mode works well against wide band and out-of-band interferers. HDR mode can be combined with bandpass and notch filters, but does draw more power.

Notch Filter

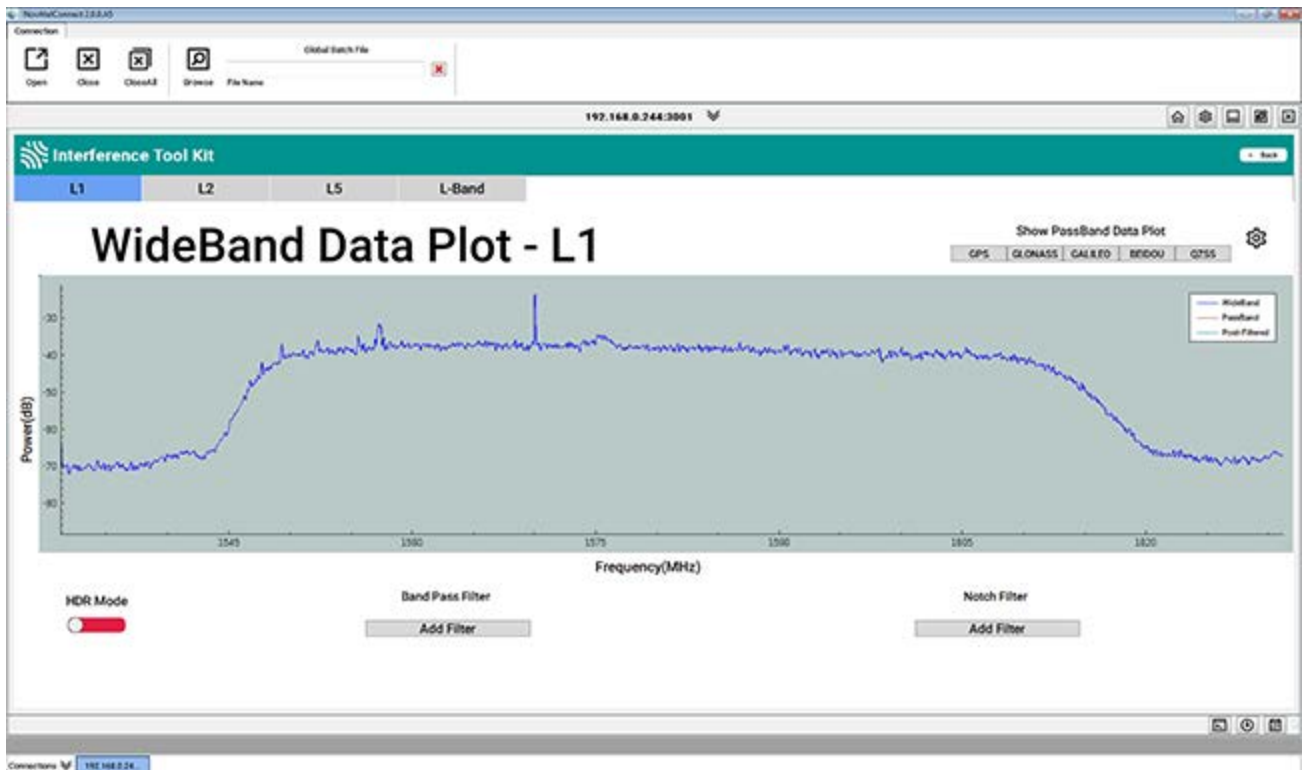
The Interference Toolkit notch filter reduces the signal power in a narrow frequency band. This type of filter is useful for reducing the signal power of a single, narrow band interference signal. Note that the narrowest possible filter should be used to maintain the maximum amount of overall signal power.

Bandpass Filter

The Interference Toolkit bandpass filter reduces the signal power of all incoming signals at the upper and lower end of the GNSS signal band starting at the requested cut-off frequency. This type of filter is good for reducing single or multiple interference signals at the edges of the signal band.

When a bandpass filter is applied to this signal, the upper and lower ends of the signal band are filtered out to reduce the signal power of the interference signal.

The following example shows interference at 1750 in the signal band.



The following example shows post filtering with interference.



The following are the Commands and Logs used by the Interference Toolkit to monitor, apply filters and mitigate interference. Commands and Logs with the ✓ are available by default. Contact www.novatel.com/where-to-buy/sales-offices to activate full mitigation features.

Commands		
ITBANDPASSCONFIG		Configures a bandpass filter on the receiver. The bandpass filters are only applicable to L1 signals (GPS L1C/A, BeiDou B1 and GLONASS L1).
ITFRONTENDMODE		Configures the front end mode for each RF path to use the default tracking mode or change to High Dynamic Range (HDR) mode.
ITINTERFERENCEDETECT	✓	Configures and enables interference detection on receiver.
ITPROGFILTCONFIG		Configures filtering on the receiver to be either a notch filter or a bandpass filter.
ITSPECTRALANALYSIS	✓	Configures and enables spectral analysis on the receiver.

Logs		
ITBANDPASSBANK		Provides the allowable bandpass filter configurations.
ITFILTTABLE		Summarizes the filter configuration for each frequency and indicates which bandpass or notch filters are enabled and configured.
ITPROGFILTBANK		Provides the allowable filter configurations.
ITPSDFINAL	✓	Provides the process power spectral density information along with samples for the spectral analysis.

3.13 Logging and Retrieving Data Overview

Logs can be directed to any of the receiver communication ports and can be automatically generated when new or changed data becomes available or at regular intervals. Data can be collected through NovAtel Connect using the *Logging Control Window*.

Refer to the Help available from within NovAtel Connect for comprehensive logging instructions.



NovAtel Connect version 2.0 or greater is required for OEM7 receivers. Download the latest NovAtel Connect PC Utilities suite of software and documentation, including NovAtel Connect from www.novatel.com/support/info/documents/809.

Pass-Through Logging

The pass-through logging feature enables the GNSS receiver to redirect any ASCII or binary data that is input at a specified COM port or USB port, to any specified receiver COM or USB port. This capability, in conjunction with the SEND command, allows the receiver to perform bidirectional communications with other devices such as a modem, terminal or another receiver.

There are several pass-through logs: PASSCOM1, PASSCOM2, PASSCOM3, PASSXCOM1, PASSXCOM2, PASSXCOM3, PASSUSB1, PASSUSB2, PASSUSB3, PASSICOMX, PASSNCOM and PASSAUX are available on OEM7 family receivers for logging through serial ports. Refer to the PASSCOM logs in the OEM7 Commands and Logs Reference Manual (OM-20000169) for details.

3.14 Additional Features and Information

The following sections contain information on additional features of the OEM7 family receivers.

- *Strobes* below
- *Status Indicator* below
- *External Oscillator* on the next page

3.14.1 Strobes

OEM7 family receivers have inputs and outputs, referred to as strobes, that provide status and synchronization signals. Not all strobes are provided on all receivers. For detailed information about OEM7 family strobes, see: *OEM719 Strobe Specifications* on page 124, *OEM729 Strobe Specifications* on page 140 and *OEM7700 Strobe Specifications* on page 160.

3.14.2 Status Indicator

OEM7 family receiver cards have an LED indicator to provide receiver status.

OEM719	Refer to <i>Figure 9: OEM719 Connector and Indicator Locations</i> on page 29
OEM729	Refer to <i>Figure 10: OEM729 Connector and Indicator Locations</i> on page 30
OEM7700	Refer to <i>Figure 11: OEM7700 Connector and Indicator Locations</i> on page 31

The LED blinks green on and off, approximately once per second, to indicate normal operation. If the indicator is red, the receiver is not working properly. The indicator's operation is described in *Built-In Status Tests* on page 71.

3.14.3 External Oscillator



This feature is supported only on the OEM729.

For applications requiring greater precision than what is possible using the on-board Voltage Controlled, Temperature Compensated Crystal Oscillator (VCTCXO), the OEM729 may need to be connected to an external, high stability oscillator, at 5 MHz or 10 MHz.

Connect a cable from the external oscillator to the receiver's external oscillator input connector. For the OEM729, a MMCX female connector (J1901) is used as shown in *Figure 10: OEM729 Connector and Indicator Locations* on page 30. The receiver does not have to be powered down during this operation. However, if handling a card directly, observe anti-static practices. The OEM729 input impedance is 50 ohms.

When the external oscillator is installed, use the **EXTERNALCLOCK** command (refer to OEM7 Commands and Logs Reference Manual (OM-20000169) for details) to set the clock type (e.g: cesium, rubidium or ovenized crystal) and frequency.

Chapter 4 Built-In Status Tests

The Built-In Status Test monitors system performance and status to ensure the receiver is operating within specifications. The test detects an exceptional condition and informs the user through one or more indicators. The receiver status system is used to configure and monitor the indicators:

1. Receiver status word (included in the header of every message)
2. ERROR strobe signal (refer to the Strobes table in the Appendix for each card)
3. RXSTATUSEVENT log
4. RXSTATUS log
5. Status LED

In normal operation, the error strobe is driven low and the status LED on the receiver flashes green once every second. When an unusual and non-fatal event occurs (for example, there is no valid position solution), a bit is set in the receiver status word. Receiver operation continues normally, the error strobe remains off and the LED continues to flash green. When the event ends (for example, when there is a valid position solution), the bit in the receiver status word is cleared.

When a fatal event occurs (for example, a receiver hardware failure), a bit is set in the receiver error word, part of the **RXSTATUS** log, to indicate the cause of the problem. Bit 0 is set in the receiver status word to show that an error occurred, the error strobe is driven high and the status LED flashes red and yellow showing an error code. An **RXSTATUSEVENT** log is generated on all ports to show the cause of the error. Receiver tracking is disabled but command and log processing continues to allow error diagnosis. Even if the source of the error is corrected, the receiver must be reset to resume normal operation.

These two scenarios describe factory default behavior. These behaviors can be customized to better suit an individual application. RXSTATUSEVENT logs can be disabled completely with the **UNLOG** command. RXSTATUSEVENT logs can be generated when a receiver status bit is set or cleared with the **STATUSCONFIG set** and **STATUSCONFIG clear** commands. Bits in the receiver status word can also be promoted to act like error bits with the **STATUSCONFIG priority** command.

4.1 Receiver Status Word

The receiver status word indicates the current status of the receiver. This word is found in the header of all logs and in the RXSTATUS log. In addition, the receiver status word is configurable.

The importance of the status bits with priority masks can be determined. For receiver status, setting a bit in the priority mask causes the condition to trigger an error. The error causes the receiver to idle all channels, turn off the antenna and disable the RF hardware, just like it would if a bit in the receiver error word is set. Setting a bit in an Auxiliary Status priority mask causes the condition to set the bit in the receiver status that corresponds to the auxiliary status.

Use the **STATUSCONFIG** command to configure the various status mask fields in the RXSTATUS log. Use the masks to specify whether various status fields generate errors or event messages when set or cleared.

Refer to the **RXSTATUS** log, **RXSTATUSEVENT** log and **STATUSCONFIG** command in the OEM7 Commands and Logs Reference Manual (OM-20000169) for more detailed descriptions of these messages.

4.2 Error Strobe Signal

The error strobe signal is one of the I/O strobes. The strobe signal is driven low when the receiver is operating normally. When the receiver is in the error state and tracking is disabled, the error strobe is driven high. This can be caused by a fatal error or by an unusual receiver status indication that the user has promoted to be treated like a fatal error. Once on, the error status remains high until the cause of the error is corrected and the receiver is reset. For more information about the error strobe signal, see *OEM729 Strobe Specifications* on page 140 or *OEM7700 Strobe Specifications* on page 160.



An Error Strobe signal is not available on the OEM719.

When the receiver is in an error state, information about the error is provided in the **RXSTATUS** log. See the OEM7 Commands and Logs Reference Manual (OM-20000169) for information about this log

4.3 RXSTATUSEVENT Log

The RXSTATUSEVENT log is used to output event messages, as indicated in the RXSTATUS log.

On start up, the OEM7 family receiver is set to log the RXSTATUSEVENTA log ONNEW on all ports. You can remove this message using the **UNLOG** command.

Refer to the **RXSTATUSEVENT** log in the OEM7 Commands and Logs Reference Manual (OM-20000169) for a more detailed description of this log.

4.4 RXSTATUS Log

The Receiver Status log (RXSTATUS) provides system status and configuration information in a series of hexadecimal words.

4.4.1 Status Word

The status word is the third field after the header, as shown in the example in *Figure 26: Location of Receiver Status Word* below.

Figure 26: Location of Receiver Status Word

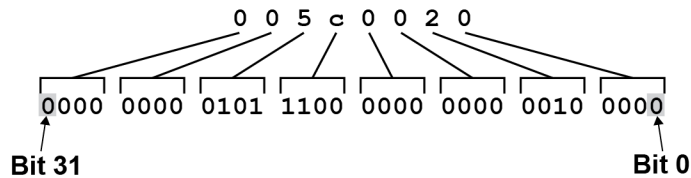
```

<RXSTATUS COM1 0 92.0 UNKNOWN 0 154.604 005c0020 643c 1899
< 00000022 4
< 005c0020 00000000 00000000 00000000
< 00000087 00000008 00000000 00000000
< 00000000 00000000 00000000 00000000
< 00000000 00000000 00000000 00000000
Receiver
Status
Word

```


Each bit in the status word indicates the status of a specific receiver condition or function. If the status word is 00000000, the receiver is operating normally. The numbering of the bits is shown in *Figure 27: Reading the Bits in the Receiver Status Word* below.

Figure 27: Reading the Bits in the Receiver Status Word



If the receiver status word indicates a problem, see *Examining the RXSTATUS Log* on page 94.

4.4.2 Error Word

The error field contains a 32-bit word. Each bit in the word is used to indicate an error condition. Error conditions may result in damage to the hardware or erroneous data, so the receiver is put into an error state. If any bit in the error word is set, the receiver sets the error strobe line, flashes the error code on the status LED, broadcasts the RXSTATUSEVENT log on all ports (unless the user has unlogged it), idles all channels, turns the antenna off and disables the RF hardware. To override the error state, reset the receiver.

The receiver can be configured to generate event messages triggered by status conditions. Receiver Error words automatically generate event messages. These event messages are output in RXSTATUSEVENT log (see also *Set and Clear Mask for all Status Code Arrays* on page 75).

The error word is the first field after the log header in the RXSTATUS log, as shown in the example in *Figure 28: Location of Receiver Error Word* below.

Figure 28: Location of Receiver Error Word

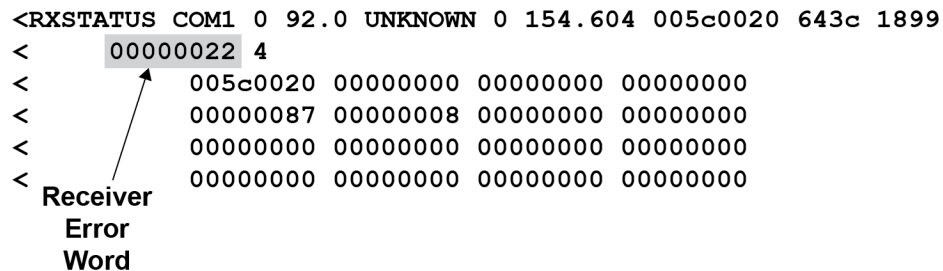
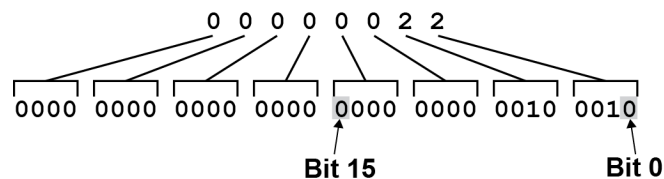


Figure 29: Reading the Bits in the Receiver Error Word below shows an example of a receiver error word.

Figure 29: Reading the Bits in the Receiver Error Word



Refer to the **RXSTATUS** log and **RXSTATUSEVENT** log in the OEM7 Commands and Logs Reference Manual (OM-20000169) for more detailed log descriptions. If the receiver error word indicates an error, refer to *Examining the RXSTATUS Log* on page 94.

4.4.3 Status Code Arrays

There are currently 4 status code arrays:

- receiver status word
- auxiliary 1 status
- auxiliary 2 status
- auxiliary 3 status

Each status code array consists of four 32-bit words (the status word, a priority mask, a set mask and a clear mask). The status word is similar to the error word, with each of the 32 bits indicating a condition. The priority mask words are used to modify the behavior caused by a change in one of the bits in the associated status words. Each bit, in any mask, operates on the bit in the same position in the status word. For example, setting bit 3 in the priority mask changes the priority of bit 3 in the status word.

Figure 30: Status Code Arrays

```

<RXSTATUS COM1 0 92.0 UNKNOWN 0 154.604 005c0020 643c 1899
< 00000022 4
< 005c0020 00000000 00000000 00000000 ← Receiver Status
< 00000087 00000008 00000000 00000000 ← Auxiliary 1 Status
< 00000000 00000000 00000000 00000000 ← Auxiliary 2 Status
< 00000000 00000000 00000000 00000000 ← Auxiliary 3 Status

```

↑
↑
↑
↑

Status Word Priority Mask Set Mask Clear Mask

4.4.4 Receiver Status Code

The receiver status word is included in the header of all logs. It has 32 bits that indicate certain receiver conditions. If any of these conditions occur, a bit in the status word is set. Unlike the error word bits, the receiver continues to operate, unless the priority mask for the bit has been set. The priority mask bit changes the bit in the receiver status word into an error bit. Anything that results from an error bit becoming active also occurs if a receiver status and its associated priority mask bits are set.

4.4.5 Auxiliary Status Codes

The auxiliary status codes are only in the RXSTATUS log. The three arrays that represent the auxiliary status codes indicate the receiver state for information purposes only. The events represented by these bits typically do not cause receiver performance degradation. The priority mask for the auxiliary codes does not put the receiver into an error state. Setting a bit in the auxiliary priority mask results in the corresponding bit in the receiver status code to be set if any masked auxiliary bit is set. Bit 31 of the receiver status word indicates the condition of all masked auxiliary bit is set. Bit 31 of the receiver status word corresponds to the auxiliary 1 status word. Likewise, bit 30 of the receiver status word corresponds to the auxiliary 2 status word and bit 29 to the auxiliary 3 status word.

Refer also to the **RXSTATUS** log in the OEM7 Commands and Logs Reference Manual (OM-20000169) for a more detailed description.

4.4.6 Set and Clear Mask for all Status Code Arrays

The other two mask words in the status code arrays operate on the associated status word in the same way. These mask words are used to configure the bits in the status word that result in a RXSTATUSEVENT log broadcast. The set mask is used to turn logging on temporarily while the bit changes from the 0 to 1 state. The clear mask is used to turn logging on temporarily while the bit changes from a 1 to a 0 state. Note the error word does not have any associated mask words. Any bit set in the error word results in a RXSTATUSEVENT log broadcast (unless unlogged).

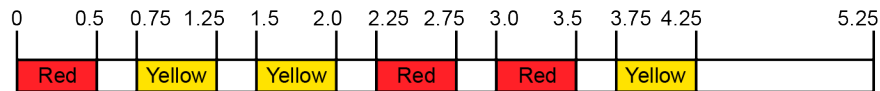
Refer also to the **RXSTATUS** log in the OEM7 Commands and Logs Reference Manual (OM-20000169) for a more detailed description.

4.5 Status LED

The diagnostic LED provided on the OEM7 family cards blinks green on and off approximately once per second to indicate normal operation.

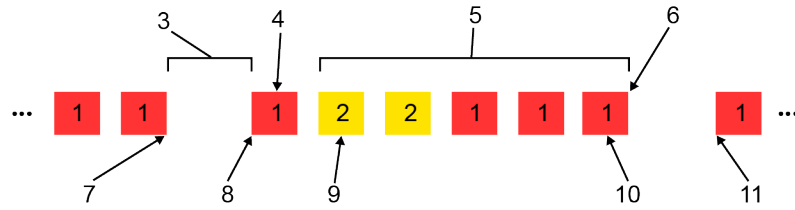
Error bits and status bits that have been priority masked as errors cause the LED to flash a code in a binary sequence. The binary sequence is a six flash (0.5 second on and 0.25 second off per flash) sequence followed by a one second delay. The sequence repeats indefinitely. If there are more than one error or status present, the lowest number appears as the flash code output. The codes are ordered to have the highest priority condition output first.

The first flash in the six flash sequence indicates if the code that follows is an error bit or a status bit. Error bits flash red and status bits flash yellow. The next five flashes are the binary number of the code (most significant bit first). A red flash indicates a one and a yellow flash indicates a zero. For example, for an error bit six, the binary number is 00110 so the output sequence is:



followed by a one second delay. The sequence repeats indefinitely until the receiver is reset.

In the example shown in *Figure 31: Status LED Flash Sequence Example* on the next page, the first flash in the sequence is red, meaning a bit is set in the receiver error word. The next five flashes give a binary value of 00111. Converting this value to decimal results in a value of seven. Therefore, bit seven of the receiver error word is set, indicating a problem with the supply voltage of the receiver's power circuitry.

Figure 31: Status LED Flash Sequence Example**Reference Description**

1	Red
2	Yellow
3	1 Second Pause
4	Word Identifier Flash
5	Bit Identifier Flashes
6	End of Sequence
7	End of Previous Sequence
8	Beginning of Sequence
9	Most Significant Bit of Binary Value
10	Least Significant Bit of Binary Value
11	Start of Next Sequence

Refer to the RXSTATUS log and associated tables in OEM7 Commands and Logs Reference Manual (OM-20000169) for more information about this log and receiver error status.

Chapter 5 Ethernet Configuration

This chapter describes how to configure the Ethernet port on an OEM7 receiver. It provides the step-by-step process for connecting to the OEM7 receiver through the Ethernet interface, setting up a base/rover configuration through Ethernet connectivity and utilizing the NTRIP interface. The Ethernet port connections for a computer connected to the receiver are also described for Windows 7 operating systems.



Ethernet is not available on the OEM719.



The **SAVEETHERNETDATA** command can be issued to retain the Ethernet configuration settings after a RESET/FRESET command. The **ETHCONFIG** command and **IPCONFIG** command must be issued prior to using **SAVEETHERNETDATA** command. Refer to the OEM7 Commands and Logs Reference Manual (OM-20000169) for command details.

5.1 Required Hardware

The following hardware is required to set up an Ethernet interface to an OEM7 receiver:

- a user supplied computer with an available Ethernet, serial and USB port
- an Ethernet capable OEM7 receiver



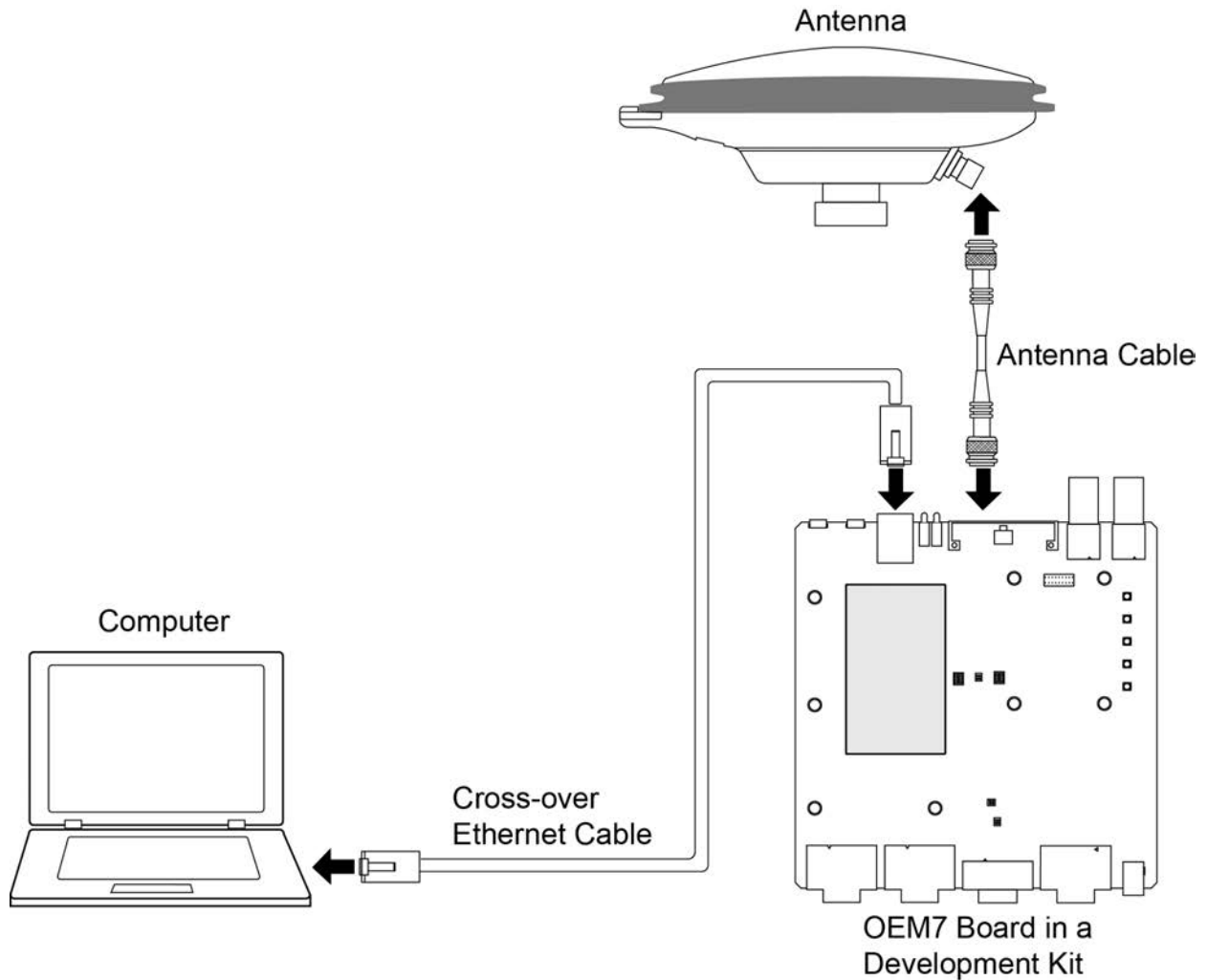
External Ethernet Magnetics are required for the OEM7 receiver cards. The OEM7 Development Kit can be used for Ethernet communication when connected to the OEM7 receiver.

- an RS-232 null modem cable or USB cable
- one or two CAT5 Ethernet cables
- a user supplied Ethernet network, hub or wired router (optional)
- a GNSS antenna
- a standard 5 meter 50 ohm TNC-to-TNC antenna cable

5.2 Static IP Address Configuration

For a static IP address configuration, unique IP addresses are assigned to both the OEM7 receiver and the computer. TCP/IP is used for the connection in this simple network. This configuration can also be used in a bench test environment to confirm Ethernet functionality.

For connections when an OEM7 receiver uses a static IP address configuration, refer to *Figure 32: Cross-Over Ethernet Cable Configuration—OEM7 Receiver Card* on the next page.

Figure 32: Cross-Over Ethernet Cable Configuration—OEM7 Receiver Card

5.2.1 Static IP Address Configuration—Receiver

Follow these steps to set up a static IP address on the OEM7 receiver:

1. Connect a computer to the OEM7 receiver using a null modem serial cable or USB cable.
2. Establish a connection to the receiver using either NovAtel Connect or another terminal program such as Windows HyperTerminal. This connection is used to send the commands in this procedure to the receiver.



For information about establishing a connection using NovAtel Connect, refer to the Help within NovAtel Connect.



NovAtel Connect version 2.0 or greater is required for OEM7 receivers. Download the latest NovAtel Connect PC Utilities suite of software and documentation, including NovAtel Connect from www.novatel.com/support/info/documents/809.

3. Enable the Ethernet port on the receiver by entering:

```
ETHCONFIG ETHA AUTO AUTO AUTO AUTO
```

4. Assign the TCP/IP port number used for the connection by entering:

```
ICOMCONFIG ICOM1 TCP :2000
```

5. Assign the receiver IP address, subnet mask and default gateway by entering:

```
IPCONFIG ETHA STATIC 192.168.74.10 255.255.255.0 192.168.74.1
```



The command assigns the following values to the OEM7 receiver:

```
IP address = 192.168.74.10
Subnet mask = 255.255.255.0
Gateway = 192.168.74.1
```

These settings are examples only. The settings appropriate to your system may be different.

6. Save the new Ethernet settings by entering:

```
SAVEETHERNETDATA
```

7. Log the **IPCONFIG** command and confirm the TCP/IP configuration by entering:

```
LOG IPCONFIG ONCE
```

8. Configure your computer with a static IP address.
Refer to *Static IP Address Configuration—Windows 7* below.

5.2.2 Static IP Address Configuration—Windows 7

Follow these steps to set up a static IP address on a computer:

1. Click **Start | Control Panel**.
2. Click **Network and Sharing Center**.
3. Click the **Local Area Connection** link.
The Local Area Connection Status window appears.
4. Click the **Properties** button.
The Local Area Connection Properties window appears.
5. Select **Internet Protocol Version 4 (TCP/IPv4)** and then click the **Properties** button.
The Internet Protocol Version 4 (TCP/IPv4) Properties window appears.
6. Click the **Use the Following IP Address** radio button, then enter the IP address, Subnet mask and Default gateway for the Ethernet port on the computer.



Ensure the Ethernet settings used for the computer are compatible with the Ethernet settings on the OEM7 receiver.

For example, the following settings are compatible with the OEM7 receiver settings used in *Static IP Address Configuration—Receiver* on page 78:

```
IP address = 192.168.74.11
Subnet mask = 255.255.255.0
Gateway = 192.168.74.1
```

7. Click the **OK** button.
The Local Area Connection Properties window appears.
8. Click the **Close** button.
The Local Area Connection Status window appears.
9. Click the **Close** button.
10. Proceed to *Confirming Ethernet Setup* below.

5.2.3 Confirming Ethernet Setup

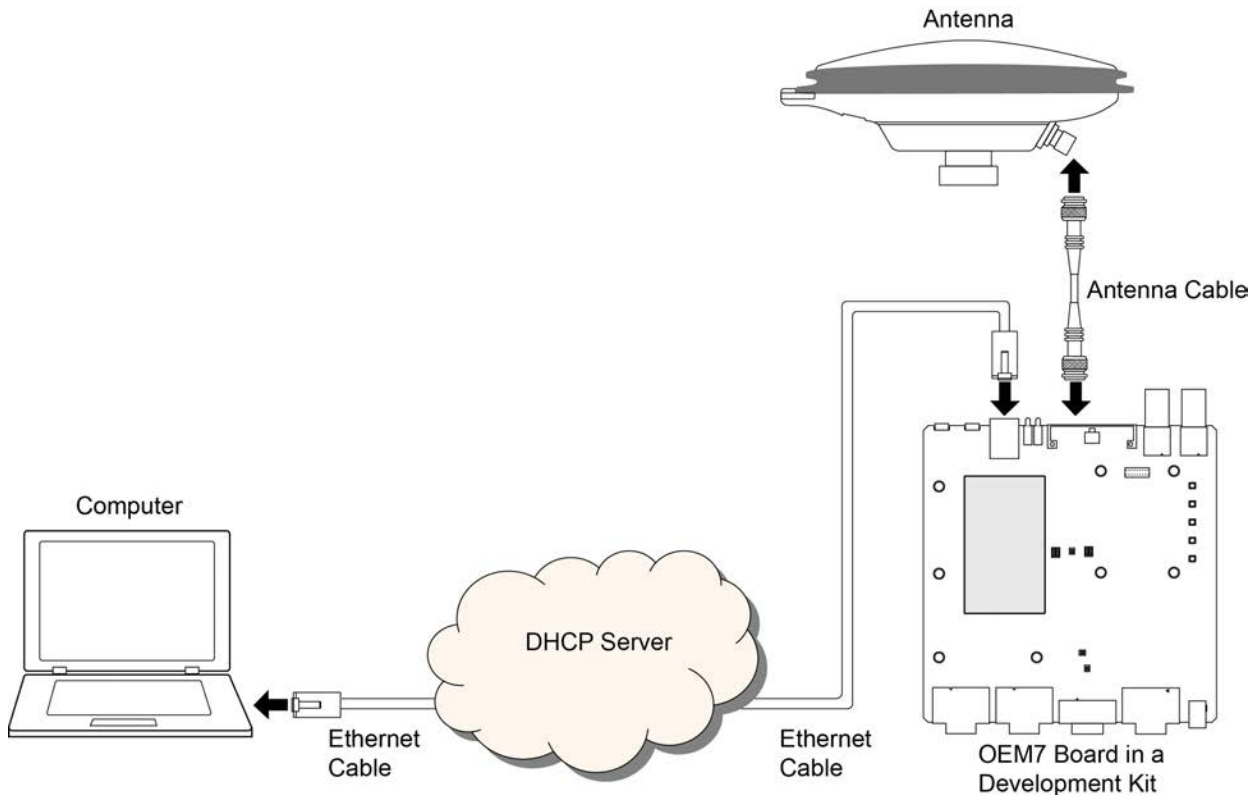
1. Connect the computer to the OEM7 receiver using an Ethernet cross-over cable.
See *Figure 32: Cross-Over Ethernet Cable Configuration—OEM7 Receiver Card* on page 78.
2. Connect to the receiver using NovAtel Connect or any third party terminal program that supports TCP/IP connections. Use the static IP address and port number assigned to the OEM7 receiver in *Static IP Address Configuration—Receiver* on page 78.



NovAtel Connect version 2.0 or greater is required for OEM7 receivers. Download the latest NovAtel Connect PC Utilities suite of software and documentation, including NovAtel Connect from www.novatel.com/support/info/documents/809.

5.3 Dynamic IP Address Configuration

Figure 33: Dynamic IP Address Configuration through a DHCP Server—OEM7 Receiver Card on the next page shows the connections when an OEM7 receiver uses a dynamic IP address configuration.

Figure 33: Dynamic IP Address Configuration through a DHCP Server—OEM7 Receiver Card

To set up a dynamic IP address configuration, follow these steps:

1. Connect a computer to the OEM7 receiver using a null modem serial cable or USB cable.
2. Establish a connection to the receiver using either NovAtel Connect or another terminal program such as Windows HyperTerminal. This connection is used to send the commands in this procedure to the receiver.



For information about establishing a connection using NovAtel Connect, refer to the Help within NovAtel Connect.



NovAtel Connect version 2.0 or greater is required for OEM7 receivers. Download the latest NovAtel Connect PC Utilities suite of software and documentation, including NovAtel Connect from www.novatel.com/support/info/documents/809.

3. Enable the Ethernet port by entering:

```
ETHCONFIG ETHA AUTO AUTO AUTO AUTO
```

4. Obtain the IP address assigned to the OEM7 receiver by the DHCP server.

```
LOG IPSTATUS ONCE
```



Make a note of the IP address returned with this log. This value is used later in this procedure.

- Assign the TCP/IP port number by entering:

```
ICOMCONFIG ICOM1 TCP :2000
```

- Confirm the port number assigned to ICOM1 by entering:

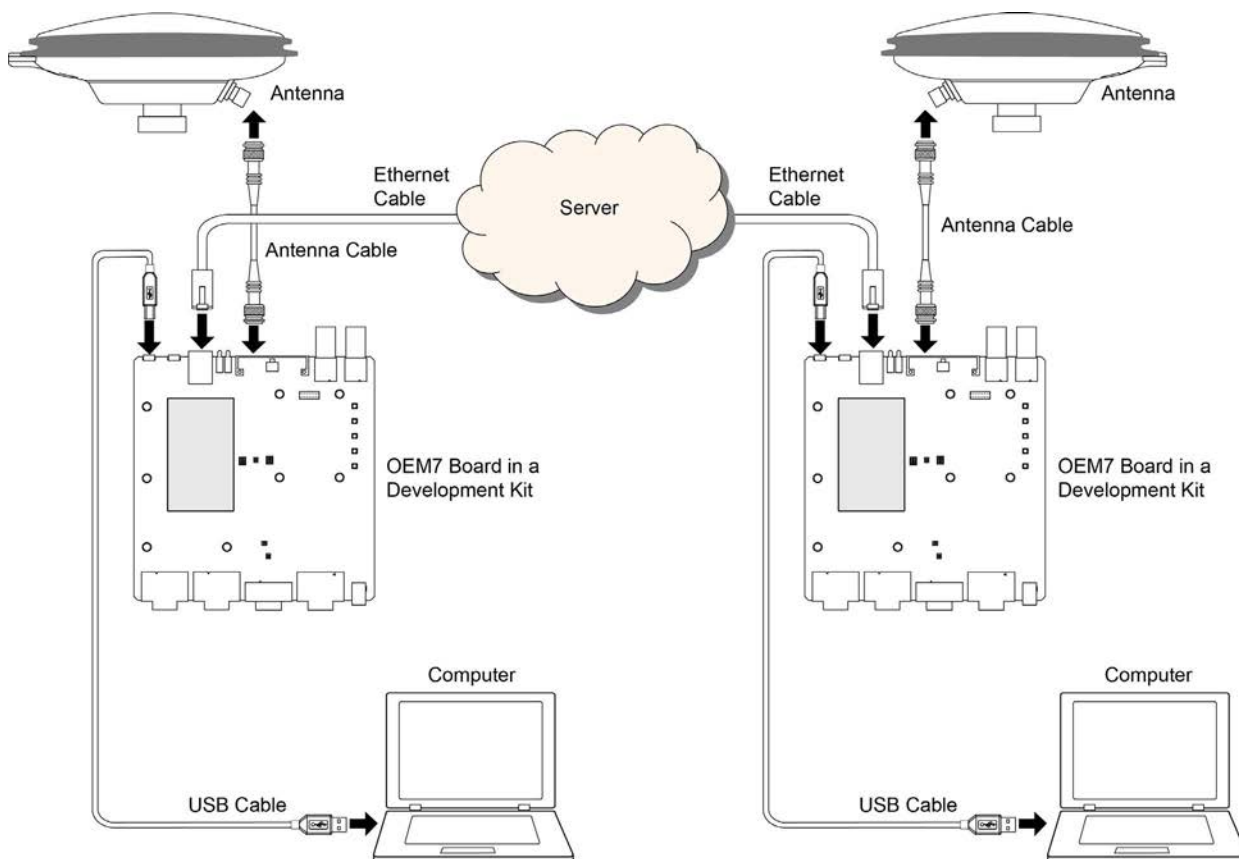
```
LOG ICOMCONFIG ONCE
```

5.4 Base/Rover Configuration through Ethernet Connectivity

You can use an Ethernet connection to provide communication between a base and rover receiver.

Figure 34: Base/Rover Ethernet Setup—OEM7 Receiver Card below shows the connections when a base and rover OEM7 receiver are connected using Ethernet.

Figure 34: Base/Rover Ethernet Setup—OEM7 Receiver Card



- Connect your computer to both OEM7 receivers using null modem serial cables or USB cables.
- Establish a connection to the receiver using either NovAtel Connect or another terminal program such as Windows HyperTerminal. This connection is used to send the commands in this

procedure to the receivers.



For information about establishing a connection using NovAtel Connect, refer to the Help within NovAtel Connect.



NovAtel Connect version 2.0 or greater is required for OEM7 receivers. Download the latest NovAtel Connect PC Utilities suite of software and documentation, including NovAtel Connect from www.novatel.com/support/info/documents/809.

3. Connect the power cables to both of the OEM7 receivers and apply power to the receivers.
4. Connect the Ethernet cables to the Ethernet ports on both OEM7 receivers.
5. Establish an Ethernet connection, either static or dynamic configurations. Refer to *Static IP Address Configuration* on page 77 or *Dynamic IP Address Configuration* on page 80 for more information.
6. Send the following commands to each receiver either through serial or USB ports:

Base:

```
FIX POSITION <lat> <long> <height>
INTERFACEMODE ICOM1 NONE RTCA off
LOG ICOM1 RTCAOBS2 ONTIME 1
LOG ICOM1 RTCAREF ONTIME 10
LOG ICOM1 RTCA1 ONTIME 5
SAVECONFIG
```

Rover:

```
ICOMCONFIG ICOM1 TCP <base ip address>:<base port #>
INTERFACEMODE ICOM1 RTCA NONE OFF
LOG BESTPOSA ONTIME 1 (optional)
SAVECONFIG
```

Use the **BESTPOS** log to confirm that the OEM7 rover is in RTK mode.

5.5 Large COM Port Data Throughput

For high data rate Ethernet logging using TCP/IP, disable Windows Delayed Ack Algorithm (DAA) for complete data logging. If you do not disable DAA, there will be data gaps due to the Windows Ethernet buffer.

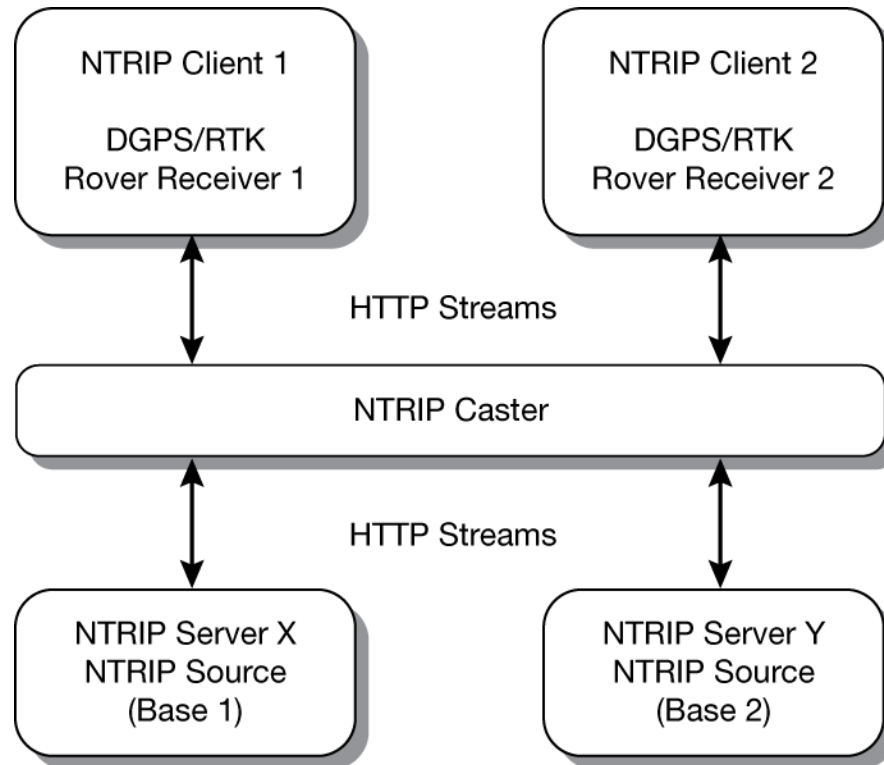


If done incorrectly, changing the Windows Registry may impair the operation of the computer. Editing the Windows Registry is for advanced Microsoft Windows users only. NovAtel Inc. is not able to provide any technical support for any actions taken regarding information found in Microsoft's Knowledge Base.

5.6 NTRIP Configuration

An OEM7 receiver can be configured as either an NTRIP server or an NTRIP client. For more information about NovAtel's NTRIP, refer to www.novatel.com/products/firmware-options/ntrip/.

Figure 35: NTRIP System



The NTRIP caster is an HTTP internet service that acts as a communication medium between NTRIP servers and NTRIP clients. The NTRIP caster is provided by third party sources. For a full list of NTRIP casters, refer to the following link: <http://www.rtcn-ntrip.org/home>.

The following procedure describes how to configure a NovAtel base and a NovAtel rover through a third party NTRIP caster. This configuration is recommended for optimal RTK performance.

1. Establish a connection to the receiver using either NovAtel Connect or another terminal program such as Windows HyperTerminal. This connection is used to send the commands in this procedure to the receiver.



For information about establishing a connection using NovAtel Connect, refer to the Help within NovAtel Connect.



NovAtel Connect version 2.0 or greater is required for OEM7 receivers. Download the latest NovAtel Connect PC Utilities suite of software and documentation, including NovAtel Connect from www.novatel.com/support/info/documents/809.

2. Connect the Ethernet cable to the Ethernet ports on both OEM7 receivers. For this setup, use a cross-over Ethernet cable.
3. Establish a static or dynamic Ethernet connection.
For information about creating the connection, refer to *Static IP Address Configuration* on page 77 or *Dynamic IP Address Configuration* on page 80.
4. Use the following commands to enable the base receiver as an NTRIP Server:

```
NTRIPCONFIG NCOM1 SERVER V2 <endpoint> <mountpoint> <username>
<password> ETHA
INTERFACEMODE NCOM1 NONE RTCA OFF
FIX POSITION <lat> <long> <height>
LOG NCOM1 RTCAOBS2 ONTIME 1
LOG NCOM1 RTCAREF ONTIME 10
LOG NCOM1 RTCA1 ONTIME 1
SAVECONFIG
```

5. Use the following commands to enable the rover receiver as an NTRIP Client:

```
ETHCONFIG ETHA AUTO AUTO AUTO AUTO
NTRIPCONFIG NCOM1 CLIENT V1 <endpoint> <mountpoint> <username>
<password > ETHA
```



If using a specific Network RTK system, certain National Marine Electronics Association (NMEA) strings are required to be sent from the rover back to the RTK network. For example, if connected to the VRS mount point, the rover is required to send its position to the network in a standard NMEA GGA message. This is achieved by issuing the following commands: **LOG NCOMx GPGGA ONTIME 5**, until data is received by the caster. For more information about Network RTK options and properties, refer to the application note [APN-041 Network RTK](#).

The following is an NTRIP Client configuration example without the use of a Network RTK system:

```
INTERFACEMODE NCOM1 RTCA NONE OFF
RTKSOURCE AUTO ANY
PSRDIFFSOURCE AUTO ANY
LOG BESTPOS ONTIME 1 (optional)
SAVECONFIG
```



Refer to the **NTRIPCONFIG** command in the OEM7 Commands and Logs Reference Manual (OM-20000169) for further command details.

Chapter 6 CAN Bus

The OEM7 receivers support the following CAN protocols:

- J1939 Transport and Extended Transport Protocol: used for corrections and NovAtel messages (both transmitting and receiving)
- NMEA2000: used for standard as well as NovAtel-proprietary messages (transmitting only)

By default, CAN is disabled on OEM7 receivers. Critical CAN configuration parameters such as Parameter Group Numbers (PGNs), addresses and priorities are system-specific and must be explicitly configured.

The addresses and PGNs are typically allocated when the overall CAN bus topology is determined. Because the OEM7 receiver can operate on 2 CAN buses concurrently, it can run 0, 1 or 2 CAN Nodes. A Node has a unique CAN J1939 NAME and address.



There are no CAN transceivers on the OEM7 receiver cards. These cards require external CAN transceivers and proper bus terminations. See *CAN Controller Ports* on page 177 for an example of a CAN transceiver circuit.



On the OEM719 receiver, CAN1 is multiplexed with user VARF and EVENT2, so the following commands must be issued before enabling CAN1:

FREQUENCYOUT DISABLE
MARKCONTROL MARK2 DISABLE

Refer to *OEM719 Interface Connector* on page 126, *OEM729 Interface Connectors* on page 142 and *OEM7700 Interface Connector* on page 162 for pin-out information.

OEM7 receivers support the following NMEA2000 Parameter Group Messages (PGN) over the CAN bus:

- PGN 126992 System Time
- PGN 129025 GNSS Position Rapid Update
- PGN 129026 COG & SOG Rapid Update
- PGN 129027 Position Delta High Precision Rapid Update
- PGN 129029 GNSS Position
- PGN 129551 GNSS Differential Signal

The following commands and logs are used for CAN configuration:

- **CANCONFIG** command: controls the CAN transceiver hardware and places the receiver *on bus* or *off bus*
- **J1939CONFIG** command: assigns the CAN J1939 NAME and address parameters to a Node
- **J1939STATUS** log: reports the status a Node on the J1939 CAN network, such as the claimed address
- **LOG CCOMx PGNabcd**: configures the NMEA2000 messages
- **PGNCONFIG** command: configures the NovAtel-proprietary NMEA2000 messages (change

the PGN and its priority)

- **CCOMCONFIG** command: configures the parameters used by the NovAtel command interface to interact with the CAN Bus



For information about these commands, see the OEM7 Commands and Logs Reference Manual (OM-20000169).



Details for the PGN messages can be found in the NMEA2000 specification which can be purchased directly from the National Marine Electronics Association (www.nmea.org/).

6.1 Default Configuration

After a FRESET, the receiver has the following CAN configuration:

- All CAN physical port are disabled
- No J1939 addresses are configured
- CCOM ports are configured for NMEA2000 messages only

Table 8: Default NAME

Parameter	Value
Address	0xFE
Industry Group	2
Device Class	0
Device Class Instance	0
Function	23
Function Instance	0
ECU Instance	0
Manufacturer Code	0
Identity Number	0

6.2 Configuring the CAN Bus

To enable an OEM7 receiver to communicate over the CAN bus, configure CAN and place the receiver *on bus*, triggering a J1939 *Address Claim Procedure*.

1. Use the **J1939CONFIG** command to specify J1939 NAME and desired address.
2. Use the **CANCONFIG** command to place the receiver *on bus*.
3. Optionally, use the **J1939STATUS** log to monitor CAN status on the receiver.

6.2.1 Configuration Notes

- The **J1939CONFIG** and **CANCONFIG** commands can be entered in any order. After the **CANCONFIG** command is used to place the receiver on the CAN bus, **J1939CONFIG** commands take effect immediately whether entered before or after **CANCONFIG**. Until then, **J1939CONFIG** can be entered many times to change the settings because they haven't taken effect yet (the receiver is not yet on the bus).
- The J1939 Address claim procedure is executed if and only if both J1939CONFIG NODEx CANx and CANCONFIG CANx ON are entered.
- Use J1939STATUS log determine receiver's CAN status and the actual address claimed by a particular node.
- Once the receiver is "on bus", it must be taken "off-bus" using CANCONFIG for any further configuration changes using J1939CONFIG.
- The receiver is fully "online" only once the J1939 address has been successfully claimed. This is reported as "CLAIMED" status by J1939STATUS log.
- No messages will be sent or received until the receiver is "online" and an address is claimed. Outgoing messages are not buffered; they are discarded until the receiver is online.

6.2.2 Example of Enabling the CAN Bus

1. LOG J1939STATUS ONCHANGED
2. J1939CONFIG NODE1 CAN1 <addresses>
3. CANCONFIG CAN1 ON 250K
4. SAVECONFIG
 - < J1939STATUS NODE1 DISABLED 0 0xFE
 - < J1939STATUS NODE1 CLAIMING 1 <address>
 - < J1939STATUS NODE1 CLAIMED <attempt count> <address>

6.2.3 Example of Modifying the CAN Bus Parameters

1. LOG J1939STATUS ONCHANGED
2. CANCONFIG CAN1 OFF
3. J1939CONFIG NODE1 CAN1 <addresses>
4. CANCONFIG CAN1 ON
5. SAVECONFIG
 - < J1939STATUS NODE1 DISABLED 0 0xFE
 - < J1939STATUS NODE1 CLAIMING 1 <address>
 - < J1939STATUS NODE1 CLAIMED <attempt count> <address>

6.2.4 Example of Detecting an Address Claim Failure and Reconfiguring

1. LOG J1939STATUS ONCHANGED
2. J1939CONFIG NODE1 CAN1 <addresses>
3. CANCONFIG CAN1 ON

- < J1939STATUS NODE1 DISABLED 0 0xFE
- < J1939STATUS NODE1 CLAIMING 1 <address>
- < J1939STATUS NODE1 FAILED <attempt count> 0xFE
- 4. CANCONFIG CAN1 OFF
 - < J1939STATUS NODE1 DISABLED 0 0xFE
- 5. J1939CONFIG NODE1 CAN1 <addresses>
- 6. CANCONFIG CAN1 ON
 - < J1939STATUS NODE1 CLAIMING 1 <address>
 - < J1939STATUS NODE1 CLAIMED <attempt count> <address>

6.2.5 Address Claim Procedure

To become operational on the CAN bus, an OEM7 receiver must claim a J1939 address. The preferred address and a range of alternative addresses are specified using the **J1939CONFIG** command. When a configured receiver is placed *on bus*, it may make multiple attempts to claim an address. It may also have its address bumped by a higher priority device claiming the same address.

While the device is attempting to claim an address, the **J1939STATUS** log reports a status of *CLAIMING* and automatically tries to claim the next allowed address. Depending on the **J1939CONFIG** parameters, an address different from the **J1939CONFIG** *preferred address* may be claimed or the address claim procedure can fail entirely. If no addresses could be claimed, a *FAILED* status is reported and the receiver takes no further action. To recover from this failure, take the receiver *off bus* using the **CANCONFIG** command and change the CAN address configuration using the **J1939CONFIG** command.

The address can also be assigned using J1939 *Commanded Address* message sent by another ECU on the bus, such as a tester unit. The commanded address always overrides the address specified using **J1939CONFIG** command. When the *Commanded Address* is received, the receiver reports a status of *CLAIMING* followed by *CLAIMED*. Restarting CAN using the **J1939CONFIG** command or **CANCONFIG** command clears the commanded address; the Address Claim procedure will be executed again based on parameters specified in the **J1939CONFIG** command.

6.3 NMEA2000 Logging

OEM7 receivers support both a subset of the standard NMEA2000 PGNs, as well as NovAtel proprietary PGNs.

All NMEA2000 logs are configured using the **LOG** command, where the COM port is a CAN port (CCOM). The CCOM port must be associated with a J1939 node using the **CCOMCONFIG** command. If only NMEA2000 logs are needed, **CCOMCONFIG** parameters other than J1939NODE may be ignored.

To enable NMEA2000 logs:

1. Configure the CAN bus. See *Configuring the CAN Bus* on page 87.
2. Enable the CCOM port on the CAN bus node using the **CCOMCONFIG** command.
3. Optionally, specify a custom PGN for the OEM7 specific NMEA2000 logs using the

PGNCONFIG command.

4. Enable the desired NMEA2000 logs.

NMEA2000 logs can be requested regardless of the on/off bus status of the receiver or the J1939 configuration. They are output if and only if the receiver is online.

6.3.1 Example of NMEA2000 Log Configuration

1. CCOMCONFIG CCOM1 NODE1
2. LOG CCOM1 PGN129025 ONTIME 0.5
3. LOG CCOM1 PGN129026 ONTIME 0.25
4. SAVECONFIG

6.3.2 Example of Custom PGN Configuration

The following is an example of the optional specification of a custom PGN for the OEM7 specific **INSPVACMP** NMEA2000 log.

1. PGNCONFIG INSPVACMP 129500 3
2. LOG CCOM1 INSPVACMP ONTIME 1
3. SAVECONFIG
4. RESET



It is strongly recommended to RESET the receiver after using the **PGNCONFIG** command. This prevents PGN ambiguities and conflicts.

6.4 Corrections Over CAN

All NovAtel supported correction types are supported over CAN ports (CCOM).

To send or receive corrections:

1. Configure the CAN Bus. See *Configuring the CAN Bus* on page 87.
2. Use the **CCOMCONFIG** command to configure the PGN and other CAN parameters used by the RTK corrections CAN messages.

PGN: Use the PGN designated for corrections.

Address:

- Use 0xFF to receive corrections from any CAN address and to broadcast corrections to all CAN nodes.
 - Use 0x00 to 0xFE to send corrections to or receive corrections from a specific CAN node.
3. Use the **INTERFACEMODE** command to configure the CCOM interface mode.
 - To transmit corrections, use the desired INTERFACEMODE, e.g. RTCMV3
 - To receive corrections, it is recommended to use INTERFACEMODE AUTO.



Corrections configuration (**CANCONFIG** and **INTERFACEMODE**) for a particular CCOM port do not affect its NMEA2000 configuration. NMEA2000 logs coexist with correction messages, both incoming and outgoing.

6.4.1 Example for Receiving Corrections from Any Source

1. CCOMCONFIG CCOM2 NODE1 J1939 1234 6 0xFF
2. INTERFACEMODE CCOM2 AUTO NONE OFF

6.4.2 Example for Transmitting Corrections to 0x1C Node

1. CCOMCONFIG CCOM2 NODE1 J1939 1234 6 0x1c
2. INTERFACEMODE CCOM2 NONE RTCMV3 OFF

6.5 NovAtel Messages Over CAN

Standard NovAtel messages (commands, logs, responses) can be sent and received on the CAN Bus using CAN ports (CCOM). To reduce CAN Bus loading, NovAtel messages are sent using NovAtel minimal binary format (NOVATELMINBINARY). This format uses a compressed header.

The CCOM port requires special configuration and has the following limitations:

- A single CCOM port cannot be used for both Binary and ASCII / NovAtel ASCII messages.
- A single CCOM port cannot be used for both Binary messages and corrections.
- If the CCOM port is configured as *NOVATEL*, all input is interpreted as NovAtel ASCII or Abbreviated ASCII. Unlike other COM ports, the receiver will not distinguish between ASCII and binary input.
- To use CAN NOVATELMINBINARY, the CCOM port must be placed into NOVATELMINBINARY using the **INTERFACEMODE** command.



It is recommended to use one dedicated CCOM port for NovAtel messages and another dedicated CCOM port for corrections.



NovAtel UI configuration does not affect NMEA2000. Any CCOM port can be used for NMEA2000 logs irrespective of CCOMCONFIG settings.

To configure NovAtel User Interface over CAN:

1. Configure the CAN Bus. See *Configuring the CAN Bus* on page 87.
2. Use the **CCOMCONFIG** command to configure the PGN and other CAN parameters.
3. Use the **INTERFACEMODE** command to configure the CCOM port for **NOVATELMINBINARY**.

Example: Configuring CCOM2 for NovAtel messages:

1. CCOMCONFIG CCOM3 NODE1 1234 6 0x1C
2. INTERFACEMODE CCOM2 NOVATELMINBINARY NOVATELMINBINARY OFF

6.6 Configuring OEM7 Receivers to Use OEM6 CAN Settings

CAN Bus functionality has been enhanced on OEM7 receivers. To accommodate the enhancements in functionality and flexibility, several new commands and logs have been added. Also, the **SETCANNNAME** command has been removed and the **CANCONFIG** command has been modified.

The following sections describes how to configure CAN on OEM7 receivers to operate like OEM6 receivers.

6.6.1 Configuration on OEM6

On OEM6 receivers, the **SETCANNNAME** command, with minimal parameters, could be used to configure CAN.

```
SETCANNNAME 603
```

Once entered, a limited address claim procedure would take place and NMEA2000 logs would be generated automatically at a fixed logging rate and fixed CAN port bit rate.

6.6.2 Configuration on OEM7

To configure an OEM7 receiver to log the same commands and use the same logging rate and CAN port bit rate, enter the following commands:

```
CCOMCONFIG CCOM1 NODE1 NMEA2000
CANCONFIG CAN1 ON 250K
LOG CCOM1 PGN129025 ONTIME 0.1
LOG CCOM1 PGN129026 ONTIME 0.1
LOG CCOM1 PGN129029 ONTIME 1.0
SAVECONFIG
```

On OEM7 receivers, nothing is automatically logged when CAN is enabled. Regular log requests must be made for each log required.

A full address claim procedure with default values is initiated with the **CANCONFIG ON** command. The J1939CONFIG command can be used to modify the default address claim parameters including the ManufacturingCode (set to 603 in the SETCANNNAME example above, now defaults to 305 in the new J1939CONFIG) but it's not necessary.

Chapter 7 Troubleshooting

There are simple ways to diagnose and resolve problems. In many cases, the issue can be resolved within a few minutes, avoiding the inconvenience and loss of productivity that results from having to return the receiver for repair. This section discusses troubleshooting issues and includes cross-references to other sections of the manual that may help resolve problems.

If unsure of the symptoms or if the symptoms do not match any of those listed, use the RXSTATUS log to check the receiver status and error words. See *Examining the RXSTATUS Log* on the next page.

Try to resolve the problem using the troubleshooting guide in *Table 9: Troubleshooting Based on Symptoms* below, then try our Knowledge Base at www.novatel.com/support/. If you are still not able to resolve the problem, contact *Customer Support* on page 12.

Table 9: Troubleshooting Based on Symptoms

Symptom	Related Section
The receiver is not properly powered	Check and replace a faulty power cable See <i>Power Supply Requirements for Receiver Cards</i> on page 20 for the OEM7 cards
The receiver cannot establish communication	Check and replace faulty serial cables and ports. See <i>CAN Bus</i> on page 86 and <i>Status LED</i> on page 75. Refer also to the SERIALCONFIG command in the OEM7 Commands and Logs Reference Manual (OM-20000169)
The receiver is not tracking satellites	Ensure that the antenna has an unobstructed view of the sky from horizon to horizon. Check the RXSTATUS error states. See <i>Examining the RXSTATUS Log</i> on the next page. If the receiver is in error mode, it does not track. Check for and replace a faulty antenna cable. See <i>Selecting a GNSS Antenna</i> on page 19, <i>Choosing a Coaxial Cable</i> on page 20 and <i>Connecting the Antenna to the Receiver Card</i> on page 32.
No data is being logged	See <i>CAN Bus</i> on page 86 and <i>Communications with the Receiver</i> on page 41
Random data is being output by the receiver or binary data is streaming	Check the baud rate on the receiver and in the communication software. Refer to the SERIALCONFIG command and FRESET command in the OEM7 Commands and Logs Reference Manual (OM-20000169). See also <i>CAN Bus</i> on page 86

Symptom	Related Section
A command is not accepted by the receiver	Check for correct spelling and command syntax. See <i>Communications with the Receiver</i> on page 41 and refer to the FRESET command in the OEM7 Commands and Logs Reference Manual (OM-20000169)
Differential mode is not working properly	See <i>Transmitting and Receiving Corrections</i> on page 45 and refer to the SERIALCONFIG command in the OEM7 Commands and Logs Reference Manual (OM-20000169)
There appears to be a problem with the receiver's memory	Refer to the NVMRESTORE command in the OEM7 Commands and Logs Reference Manual (OM-20000169)
An environmental or memory failure. The receiver temperature is out of acceptable range or the internal thermometer is not working	Move the receiver to within an acceptable temperature range. See <i>OEM719 Electrical and Environmental Specifications</i> on page 120, <i>OEM729 Electrical and Environmental Specifications</i> on page 136 or <i>OEM7700 Electrical and Environmental Specifications</i> on page 156.
Overload and overrun problems. Either the CPU or port buffers are overloaded	Reduce the amount of logging or increase the baud rate. See also <i>Table 4: OEM7 Card Default Serial Port Configurations</i> on page 33
The receiver is indicating that an invalid authorization code has been used	Refer to the VERSION log or VALIDMODELS log and the MODEL command or AUTH command in the OEM7 Commands and Logs Reference Manual (OM-20000169)
The receiver is being affected by jamming	Move the receiver away from any possible jamming sources
The receiver's Automatic Gain Control (AGC) is not working properly	See <i>Choosing a Coaxial Cable</i> on page 20 and the jamming symptom in this table

7.1 Examining the RXSTATUS Log

The RXSTATUS log provides detailed status information about your receiver and can be used to diagnose problems. Refer to the OEM7 Commands and Logs Reference Manual (OM-20000169) for details on this log and on how to read the receiver error word and status word. *Table 10: Resolving a Receiver Error Word* below, *Table 11: Resolving an Error in the Receiver Status Word* on the next page and *Table 12: Resolving an Error in the AUX1 Status Word* on page 97 have actions to take when your receiver has an error flag in these words. If you are not able to resolve the condition, contact *Customer Support* on page 12.

Table 10: Resolving a Receiver Error Word

Bit Set	Action to Resolve
0-2	Issue a FRESET command (for bit 1, reload new firmware).

Bit Set	Action to Resolve
4	Contact <i>Customer Support</i> on page 12
5	Check the VERSION log. The VERSION log will indicate "Invalid authcode". Upgrade the auth-code as described in <i>Upgrading Using the AUTH Command</i> on page 109
6	Issue a FRESET command
7	See <i>Power Supply Requirements for Receiver Cards</i> on page 20
8	Reserved
9	Check temperature ranges in the ENVIRONMENTAL table sections of the product specification appendices.
10	Possible hardware or environmental condition. If you cannot resolve the problem, contact <i>Customer Support</i> on page 12.
11	Possible hardware or environmental condition. If you cannot resolve the problem, contact <i>Customer Support</i> on page 12. Also, check the Auxiliary 2 Status word to determine which PLL is in error.
12-14	Reserved
15	Issue a FRESET command and power cycle the unit. If the bit is still present, contact <i>Customer Support</i> on page 12.
16	Monitor CPU idle time. Reduce number of logs or the rate of data logging.
17	Ensure that the version log is consistent with the hardware.
18-19	Reserved
20	SoftLoad is in progress. See <i>Updating Using SoftLoad Commands</i> on page 103.
21	You may be exceeding the receiver's velocity limit. If so, reduce velocity. This error can only be cleared by resetting the receiver.
22	Reload firmware using WinLoad or the SoftLoad commands.
23-30	Reserved
31	Possible hardware failure. Contact <i>Customer Support</i> on page 12.

Table 11: Resolving an Error in the Receiver Status Word

Bit Set	Action to Resolve
0	Check the Error Word in the RXSTATUS log. See also <i>Table 10: Resolving a Receiver Error Word</i> on the previous page

Bit Set	Action to Resolve
1	Check temperature ranges in the ENVIRONMENTAL table sections of Technical Specifications appendices
2	See <i>Power Supply Requirements for Receiver Cards</i> on page 20
3	See <i>Selecting a GNSS Antenna</i> on page 19, <i>Choosing a Coaxial Cable</i> on page 20, <i>Connecting the Antenna to the Receiver Card</i> on page 32, <i>Antenna LNA Power</i> on page 32
4	
5	
6	
7	Check the CPU idle time. Check for unnecessary logging. Check for simultaneous use of functionality.
8	See <i>Table 7: Serial Ports Supported</i> on page 42
	Also, check the Auxiliary 2 Status word to determine which COM port has overrun its buffer.
9-11	Reserved
15	Check the Auxiliary 1 status word to determine which RF channels are jammed.
16-17	Reserved
18	When the receiver has tracked GNSS satellites long enough for a valid almanac to be received, this bit will be set to 0.
19	None. This bit only indicates if the receiver has calculated a position.
20	None. This bit is a status bit indicating if the receiver's position has been manually fixed and does not represent a problem. Refer also to the FIX command in the OEM7 Commands and Logs Reference Manual (OM-20000169).
21	None. This bit indicates if clock steering has been manually disabled. Refer also to the FRESET command in the OEM7 Commands and Logs Reference Manual (OM-20000169).
22	None. This bit only indicates if the clock model is valid. Refer also to the FRESET command in the OEM7 Commands and Logs Reference Manual (OM-20000169).
23	None. This bit indicates if the phase-lock-loop is locked when using an external oscillator. Refer also to the FRESET command in the OEM7 Commands and Logs Reference Manual (OM-20000169).
24	Check the CPU idle time. Check for unnecessary logging. Check for simultaneous use of functionality.
25-26	Reserved

Bit Set	Action to Resolve
27	Interference Toolkit HDR mode status. When this bit is set to 1, Interference Toolkit HDR mode is enabled.
28	Digital filter status. When this bit is set to 1, an Interference Toolkit digital filter is enabled.
29	None. This bit indicates if any bits in the auxiliary 3 status word are set. The auxiliary 3 word provides status information and does not contain any new information on problems. Refer also to the FRESET command in the OEM7 Commands and Logs Reference Manual (OM-20000169).
30	None. This bit indicates if any bits in the auxiliary 2 status word are set. The auxiliary 2 word provides status information and does not contain any new information on problems. Refer also to the FRESET command in the OEM7 Commands and Logs Reference Manual (OM-20000169).
31	None. This bit indicates if any bits in the auxiliary 1 status word are set. The auxiliary 1 word provides status information and does not contain any new information on problems. Refer also to the FRESET command in the OEM7 Commands and Logs Reference Manual (OM-20000169).

7.2 Examining the AUX1 Status Word

Table 12: Resolving an Error in the AUX1 Status Word below provides actions to take when your receiver has an error flag in the AUX1 status word.

Table 12: Resolving an Error in the AUX1 Status Word

Bit Set	Action to Resolve
0-2	Jammer detected
3	None. This bit indicates that Position Averaging is ON
4-6	Jammer detected
7	Connect the receiver via USB
8-10	Reduce the amount of logging on the USB ports
11-13	(Reserved bits)
14-17	AGC error on RF1 through RF4 respectively. To resolve, ensure the antenna cable is connected and signal input level is within specification
18	Connect the receiver via Ethernet. See <i>Ethernet Ports</i> on page 38

Bit Set	Action to Resolve
19-21	Reduce the amount of logging on the Ethernet ports
22-24	Reduce the amount of logging on the NTRIP ports
25-27	Reduce the amount of logging on the Virtual COM ports
28-31	(Reserved bits)

7.3 Safe Mode

Safe Mode is an error condition triggered on the OEM7 receiver if it encounters certain critical problems during start-up. The receiver does not track GNSS satellites in this state, but the user interface is still available to allow for diagnosis of the problem.

The receiver will enter Safe Mode under certain rare cases including the following:

- Corrupted or bad data within the receiver Non-Volatile Memory (NVM).
- An unsupported Auth Code.
- The expected main firmware image could not be found by the boot code. This is possibly due to an error during the main firmware loading process (i.e. WinLoad, SoftLoad, etc.).

Safe Mode exists to allow users to take steps to recover the receiver after such an error occurs. Potential recovery steps are described in *Recovery Steps* below.

Safe Mode is indicated by an error bit in the **RXSTATUS** log.

7.3.1 Reset Loop Detection

In order to determine when the Safe Mode error should be triggered, OEM7 receivers have the ability to detect when an unexpected reset has occurred during the boot process. If a Reset Loop is detected, the **Reset Loop Detected** bit is set in the **RXSTATUS** log.

This bit is only a warning and the receiver may still be able to operate correctly. The receiver will allow several unexpected resets to occur before triggering the Safe Mode Error, at which point the receiver will not track GNSS satellites.

7.3.2 Recovery Steps

If the **Safe Mode** error bit or the **Reset Loop Detected** warning bit are set in the **RXSTATUS** log, take the following steps to diagnose and recover the system:

1. Request the **SAFEMODESTATUS** log and determine the current *Safe Mode State* of the system.
2. Reference Table: Safe Mode States and find the suggested actions for the current Safe Mode State.
3. If the suggested actions do not resolve the issue, contact NovAtel Customer Support.

Chapter 8 NovAtel Firmware and Software

Download the most recent versions of the NovAtel firmware and receiver software from the Downloads section of www.novatel.com/support/search/.

OEM7 Firmware and Software



Refer to *Transferring Firmware Files* on page 101 for descriptions of the Update and OEM versions.

NovAtel Connect PC Utilities Software Bundle

Bundled PC Utilities software includes:

- NovAtel Connect (a GUI interface)
- Connection Import (imports connection profiles)
- Convert (converts receiver data logs into different formats)
- USB Drivers and Window Signing



NovAtel Connect version 2.0 or greater is required for OEM7 receivers. Download the latest NovAtel Connect PC Utilities suite of software and documentation, including NovAtel Connect from www.novatel.com/support/info/documents/809.

Firmware and Software included

- Firmware *.shex file
- WinLoad software utility



WinLoad and SoftLoad instructions follow.

8.1 Firmware Updates and Model Upgrades

A local NovAtel dealer can provide all the information needed to upgrade or update a receiver. Refer to www.novatel.com/where-to-buy for contact information or contact sales@novatel.com or support@novatel.com directly.

8.1.1 Firmware Updates

Firmware updates are firmware releases that include fixes and enhancements to the receiver functionality. Firmware updates are released occasionally on the NovAtel web site as they become available. Firmware upgrades can be performed using the WinLoad utility, SoftLoad commands or with a custom loader application. Contact NovAtel Customer Support (support@novatel.com) for details on custom loader requirements.

8.1.2 Model Upgrades

Model upgrades enable purchased receiver features.

Once the trial period has expired, a new auth-code will need to be obtained from NovAtel Customer Support (support@novatel.com).

8.3 Updating or Upgrading Using the WinLoad Utility

WinLoad is the simplest and most common way to update or upgrade an OEM7 receiver.

8.3.1 Transferring Firmware Files

To proceed with an update or possibly an upgrade, obtain the latest version of firmware by downloading the (OEM Version) for your product from www.novatel.com/support/firmware-downloads/.

Format of Firmware Files

All of the firmware available on the downloads website are packaged in .zip files with the following name:

- OEM7XXX.zip for firmware to be installed on OEM7 receivers

NovAtel Customer Service may generate and provide the required authorization code. Authorization codes are obtained by contacting support@novatel.com or at www.novatel.com/support/.

For convenience, unzip the update file to a GNSS sub-directory (for example, C:\GNSS\LOADER). If the firmware update file is password protected, NovAtel Customer Support provides the required password.

The zip archive includes the following files:

winload.exe	WinLoad utility program
howto.txt	Instructions on how to use the WinLoad utility
whatsnew.rtf	Information on the changes made in the firmware since the last revision
x..x.shex	Firmware version upgrade file, where x..x defines the product name and release (e.g., OM7MR0200RN0000.shex)
NovAtel Software License Agreement.rtf	License agreement for the firmware



NovAtel has an online video tutorial that explains firmware updating at: www.novatel.com/support/videos.



If loading a firmware that is currently installed on an OEM7 receiver (i.e. reloading the same version of firmware on a receiver), ensure that *Optimized Loading* option is unchecked in WinLoad under *Settings | Options | Optimized Loading*.

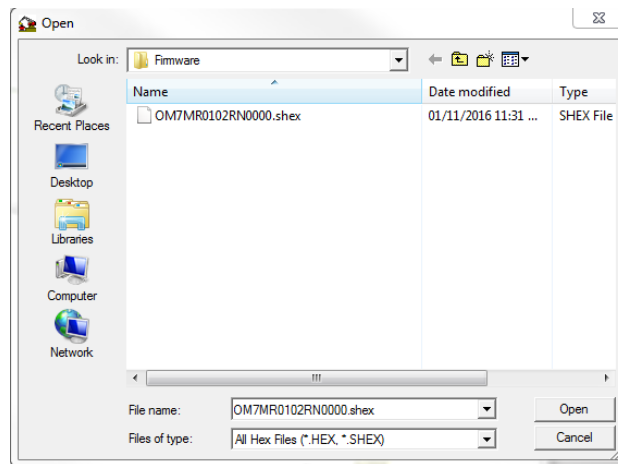
8.3.2 Using the WinLoad Utility

If opening WinLoad for the first time, ensure the file and communications settings are correct.

Open a File to Download

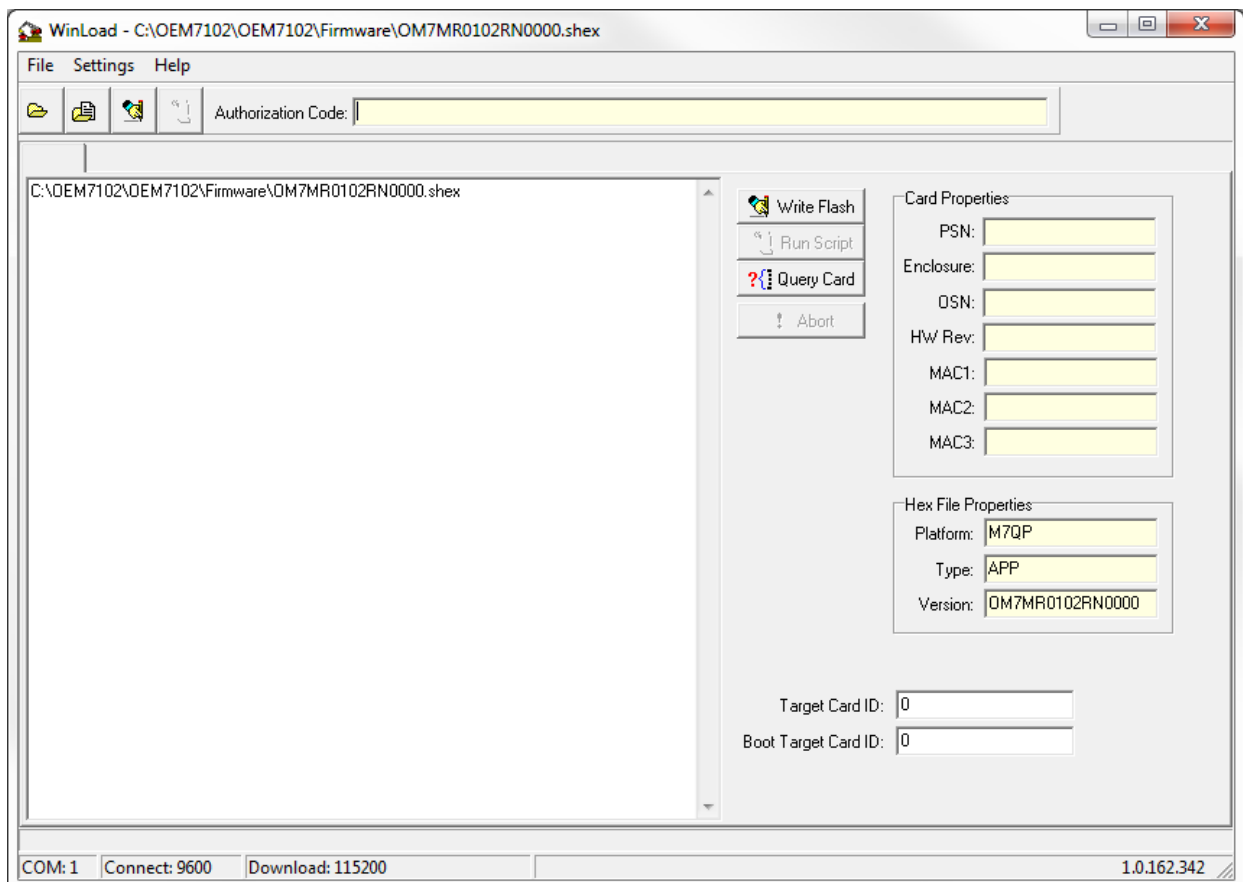
Select File | File Open. Navigate to the file to open (*Figure 36: WinLoad's Open Window* below).

Figure 36: WinLoad's Open Window



When a file is selected, the *filename* appears in the main WinLoad display area and in the title bar (*Figure 37: Open File in WinLoad* below).

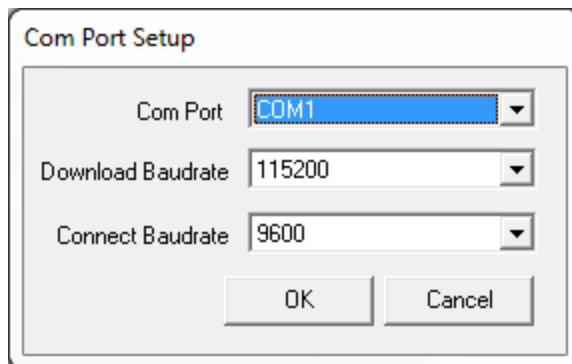
Figure 37: Open File in WinLoad



Communications Settings

To set the communications port and baud rate, select Settings | COM Settings. Choose the computer port to use from the Com Port drop down list and the baud rate from the Download Baudrate drop down list. Set the baud rate as high as possible (the default of 115200 is preferred if a higher baud rate is not available).

Figure 38: COM Port Setup



Downloading Firmware

1. Select the file to download according to *Open a File to Download* on the previous page.
2. Ensure the file path and name are displayed in main display area (see *Figure 37: Open File in WinLoad* on the previous page).
3. Click **Write Flash** to download the firmware.
4. When *Searching for card* appears in the main display, power cycle the receiver.
5. If the Authorization Code window appears, enter the auth-code and click **OK**. See *Authorization Code* on page 100 for further information about the Authorization Code.
6. The receiver finishes the download and then resets. The process is complete when *Done* appears in the main display area.
7. Close WinLoad.

8.4 Updating Using SoftLoad Commands

Firmware can be updated on a running receiver using a process called SoftLoad. Any available communication ports on the receiver (COM, USB, ICOM, XCOM, etc.) can be used. The SoftLoad process is made up of a set of commands and logs that are used to send new firmware data to a receiver and check the progress of the update. Use SoftLoad if automated loading is desired or if a connection is only possible through USB or Ethernet.

The receiver stops tracking GNSS satellites during the SoftLoad process. Do not attempt to SoftLoad when GNSS satellite tracking on the unit is required. If the unit is connected to the NovAtel Connect utility, only the Console and ASCII Message windows may remain open in the Connect Utility.

8.4.1 SoftLoad Commands and Logs

Refer to the OEM7 Commands and Logs Reference Manual (OM-20000169) for further log and command information.

Command	Description
SOFTLOADRESET	Initiate a new SoftLoad process
SOFTLOADSREC	Send an S-Record to the receiver for the SoftLoad process
SOFTLOADDATA	Send firmware image data to the receiver for the SoftLoad process
SOFTLOADCOMMIT	Complete the SoftLoad process
SOFTLOADSETUP	Send configuration information to the receiver for the SoftLoad process. This command is not required when working with a *.shex file

Log	Description
SOFTLOADSTATUS	Provides status updates for the ongoing SoftLoad process

Each command and log can be used in abbreviated ASCII, ASCII or binary format, with the exception of SOFTLOADDATA, which should only be used in binary format.

File Types

Firmware data is stored in *.shex files as ASCII data in the form of S-Records, based on the Motorola S-Record format. The *.shex file includes a digital signature for the firmware.

8.4.2 Working With S-Records

Each S-Record has a header indicating the type of information contained in the record.

Records beginning with S0, S5 and S7 contain metadata about the firmware image, such as version information and which card types are supported by the firmware image.

Example S0 Record

```
S0~V~OEM060400RN0000
```

Example S5 Records

```
S50000
S503D9FE25
S5033158D5A
```

Example S7 Records

```
S70000
S70500000000FA
```

Records beginning with S3 contain the actual firmware image data. Aside from the header, each pair of characters forms the ASCII representation of a binary byte. The format is as follows:

S3	LL	AAAAAAA	DDDDDDDD...DDDDDDDD	CC
			Little Endian Data. These bytes are copied into the "data" field of the SOFTLOADDATA command	Check Sum
		4 - Byte Address. Set this as the value of "offset" in the SOFTLOADDATA command		
Length. This is the hexadecimal number of character pairs to follow in the record. This value minus 4 bytes for the address and 1 byte for the check sum is copied into the "data length" field of the SOFTLOADDATA command				
Header				

8.4.3 Sending Firmware Data

C++ source code is available to provide example code of processing S-Records and converting them to NovAtel format commands, as well as providing help with the SoftLoad process. Contact [NovAtel Customer Support](#) and ask about the `srec2softload` utility.

The **SOFTLOADSREC** and **SOFTLOADDATA** commands can be used to send firmware data from *.shex files to the receiver.

S0, S5 and S7 S-Records should be sent directly to the receiver using the **SOFTLOADSREC** command, by enclosing the S-Record in quotation marks and issuing the command to the receiver, as follows:

```
SOFTLOADSREC "<S-RECORD>"
```

S3 records can be sent individually to the receiver using the **SOFTLOADSREC** command. Alternatively, the data from an S3 record can be parsed and packaged together with data from other S3 records into a binary **SOFTLOADDATA** command. Packaging data parsed from multiple S3 records into a binary **SOFTLOADDATA** command can result in improved firmware update times as each S3 record contains only a small number of bytes of firmware data. A single **SOFTLOADDATA** command can package up to 4096 bytes of firmware data from multiple S3 records, whereas a single **SOFTLOADSREC** command contains a maximum of 28 bytes of firmware data from a single S3 record.

Multiple S3 records can be packaged into a single **SOFTLOADDATA** command as long as the data from one S3 record follows immediately after the previous record. That is, the address from the current S3 record must equal the address from the previous S3 record plus the data length of the previous S3 record. If the data is not consecutive then the **SOFTLOADDATA** command can be sent with the amount of data it has packaged up to that point. Subsequent data can be packaged in a new **SOFTLOADDATA** command. Within the **SOFTLOADDATA** command, the "offset" field remains the address of the first S3 record and the "data" and "data length" are updated to include the new data. Refer to the OEM7 Commands and Logs Reference Manual (OM-20000169) for more information regarding the **SOFTLOADDATA** command.

The *.shex file data may contain many gaps and jumps. For example, in many NovAtel *.shex files, data for address 0x000_00000 is stored near the very end of the file.

Example Packaging Multiple S3 Records In A SOFTLOADDATA Command

Start a new **SOFTLOADDATA** command

```
S32100407AD48FCA63034B80F5CE0C36507DE3D8DCC0C6C0C00515D74BCACF2F2949E1
```

Address: 0x00407AD4 Num Data Bytes: 0x21 - 0x01 - 0x04 = 0x1C

```
S32100407AF04CCA4985F0F7B081E41D9B7D806C26989AE2D4E4CCBCB47C10FBFD3E43
```

Previous Address + Previous Num Bytes = 0x00407AD4 + 0x1C = 0x00407AF0

Address: 0x00407AF0 Num Data Bytes: 0x1C

Add data to existing **SOFTLOADDATA** command

S30D00407B0CDE0400A6374D5BFFC5

Previous Address + Previous Num Bytes = 0x00407AF0 + 0x1C = 0x00407B0C

Address: 0x00407B0C Num Data Bytes: 0x0D - 0x01 - 0x04 = 0x08

Add data to existing **SOFTLOADDATA** command

S3210000000007F0A7F1F4060000147B4000F49217813C7BB00014493F005C00000009

Previous Address + Previous Num Bytes = 0x00407B0C + 0x08 = 0x00407B14

Address: 0x00000000 Num Data Bytes: 0x1C

Requires new **SOFTLOADDATA** command because address does not match previous address + previous number of data bytes

Send existing **SOFTLOADDATA** command, and start a new **SOFTLOADDATA** command

S3210000001C80040000E001000030000000082B0100D8060000E4060000C806000063

Address: 0x0000001C Num Data Bytes: 0x1C

Previous Address + Previous Num Bytes = 0x00000000 + 0x1C = 0x0000001C

Add data to existing **SOFTLOADDATA** command

The **SOFTLOADDATA** command must be sent as a NovAtel binary format command.

8.4.4 SoftLoad Update Method

This section describes the sequence of commands that are issued to the receiver when updating using a *.shex file.



The response for each command must be processed before sending the next command so as to determine if the command was accepted or rejected, and to wait for the receiver to complete the operation. Responses to SoftLoad commands are guaranteed to be output from the receiver within a specific time, which varies by command. Refer to specific SoftLoad command in the OEM7 Commands and Logs Reference Manual (OM-20000169) for more information on responses, and the timeout values for SoftLoad commands.

1. Open a connection to any port on the receiver (COM, USB, ICOM or XCOM) with the input and output INTERFACEMODE set to NOVATEL.
2. Request the SOFTLOADSTATUS log using the following command:


```
LOG SOFTLOADSTATUSA ONCHANGED
```
3. Initialize SoftLoad with a **SOFTLOADRESET** command. This command stops all tracking on the receiver to ensure sufficient memory is available for the loading process. An RXSTATUSEVENTA log reports a SoftLoad In Progress status.
4. Open the *.shex firmware file.
5. Read each line of the *.shex firmware file.

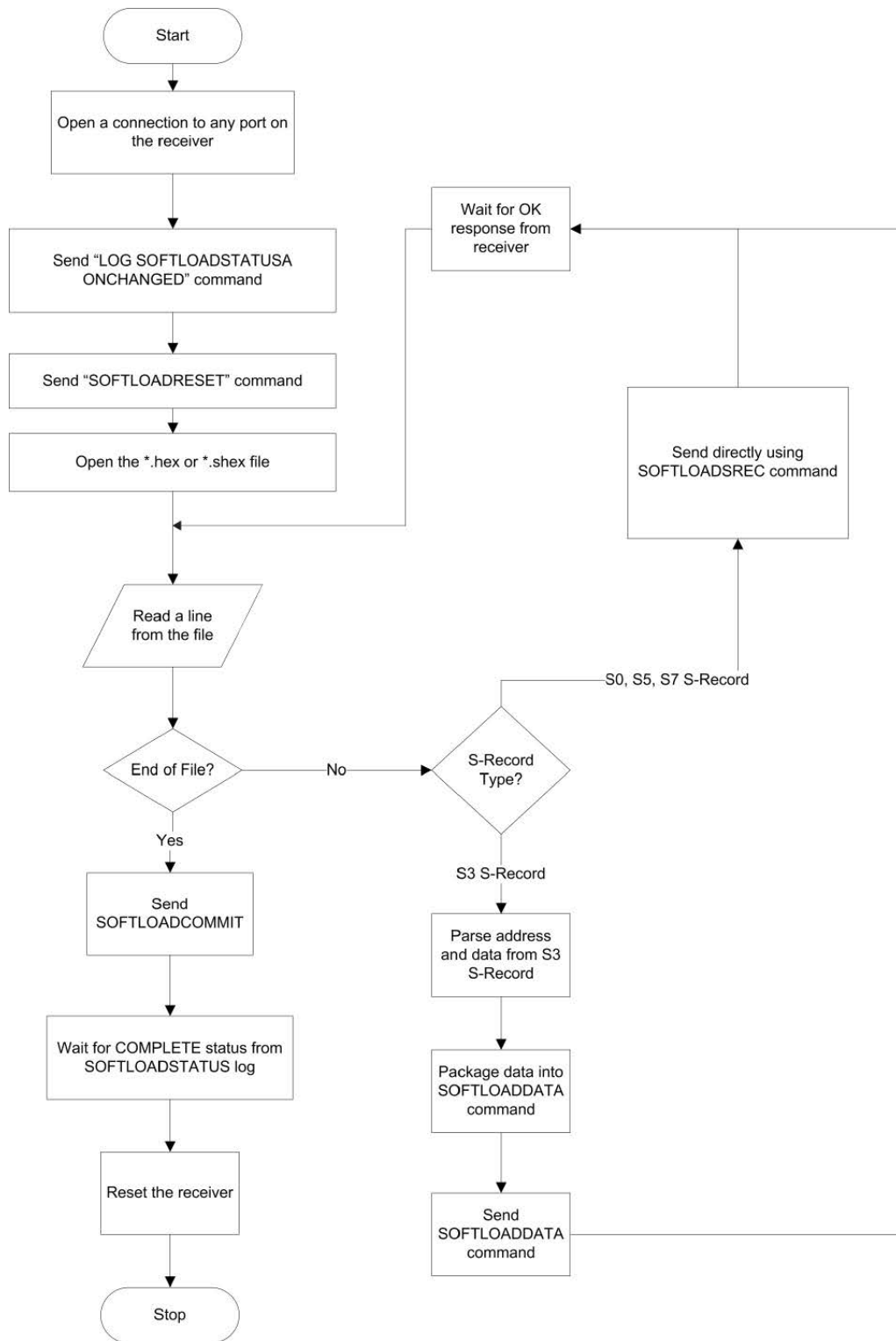
- a. Send S0, S5 and S7 S-Records directly to the receiver using the **SOFTLOADSREC** command. The S-Record must be enclosed in quotation marks:
SOFTLOADSREC "<S-RECORD>"
Data within S0 records can also be sent to the receiver by converting them to **SOFTLOADSETUP** commands. Refer to the OEM7 Commands and Logs Reference Manual (OM-20000169) for details on how to convert from S0 S-Records to **SOFTLOADSETUP** commands.
 - b. S3 S-Records should be parsed and packaged into a **SOFTLOADDATA** command.
6. Send the **SOFTLOADCOMMIT** command after all data from the *.shex file has been transferred to the receiver. The SOFTLOADSTATUS log reports the status of the loading process. Wait for a SOFTLOADSTATUS log to indicate the status is COMPLETE. The COMPLETE status or an error is guaranteed to be output from the receiver within 300 seconds from the time the **SOFTLOADCOMMIT** command was received by the receiver.
 7. Send the auth code for the newly downloaded image using the **AUTH** command. This is only required if there is not already a signature auth code on the receiver as signature auth codes are maintained through a SoftLoad update. See *Authorization Code* on page 100 for details on Auth Codes.

```
AUTH ADD_DOWNLOAD <AUTH CODE>
```

8. Reset the receiver using any of the following methods:
 - Enter the **RESET** command
 - Enter the **FRESET** command
 - Power-cycle the receiver

Once the receiver resets, the new version of firmware is active.

The SoftLoad process can be safely canceled at any time using the **SOFTLOADRESET** command or by otherwise resetting the receiver. Once the COMPLETE status is reported by SOFTLOADSTATUS, the new firmware image will be run after the receiver is reset.



8.4.5 SoftLoad Errors

It is possible for errors to occur during the SoftLoad update. All command responses should be checked to verify all issued commands were accepted. The SoftLoad status should also be

monitored in the SOFTLOADSTATUS log. Any status enum value greater than the ERROR status indicates an error has occurred during the SoftLoad update. In the event of an error, the SoftLoad update should be restarted by issuing a **SOFTLOADRESET** command or normal operation can be restored by resetting the receiver.

In rare cases after a SoftLoad error, the boot code may not be able to determine which is the latest firmware to be executed. To protect against this, SoftLoad does not erase the previous valid firmware image from flash on the receiver. In such cases, the boot code will execute the old image and raise the "Safe Mode" error (see RXSTATUS log). If that error is detected, simply restart the SoftLoad process to reload the new firmware image and the error will be resolved.

8.5 Upgrading Using the AUTH Command

The **AUTH** command is used to upgrade to a new OEM7 family model with an authorization code that enables (unlocks) model features. This command only functions with a valid auth-code assigned by [NovAtel Customer Support](#).

The upgrade can be performed directly through the NovAtel Connect command line or from any other communications program.



Refer to *Format of Firmware Files* on page 101 for details on updating versus upgrading.

8.5.1 Upgrade Procedure

1. Power up the OEM7 family receiver and establish communications (refer to the Quick Start Guide included with the product for instructions).
2. Issue the **LOG VERSION** command to verify the current model, firmware version and serial number (refer to *Authorization Code* on page 100 for instructions on obtaining).
3. Issue the **AUTH** command, followed by the auth-code and model type (refer to *Authorization Code* on page 100 for details on obtaining any auth-code). The syntax is as follows:

```
auth <your auth-code here>
```

where **auth** is a command that enables model upgrades and auth-code is the upgrade authorization code, expressed as follows:

```
XXXXXX,XXXXXX,XXXXXX,XXXXXX,XXXXXX,MODEL,EXPDATE
```

where:

- Each X character is a case-insensitive ASCII character.
- The MODEL string is a maximum of 15 characters long and represents the model enabled by the auth-code.
- The EXPDATE string is the auth-code's expiry date, in YYMMDD format

Example:

```
auth 7WBMBK,887CB6,K5J3FH,5DF5P2,42PW8G,D1SB0GTT0,121211
```

When the **AUTH** command is executed, the OEM7 family receiver reboots. Issuing the **LOG VERSION** command confirms the new upgrade model type and firmware version number.

If communicating using NovAtel Connect, the communication path must be closed and reopened using the Device menu.

APPENDIX A OEM719 Technical Specifications

Table 13: OEM719 Physical Description

Size	46 mm x 71 mm x 11 mm
Weight	31 grams
NovAtel Part Number	Generic assembly OEM719 01019520

See the following sections for more information about the OEM719:

- *OEM719 Performance Specifications* on the next page
- *OEM719 Mechanical Specifications* on page 113
- *OEM719 Electrical and Environmental Specifications* on page 120
- *OEM719 Data Communication Specifications* on page 122
- *OEM719 Strobe Specifications* on page 124
- *OEM719 Interface Connector* on page 126

A.1 OEM719 Performance Specifications

All specifications subject to GNSS system characteristics.

Table 14: OEM719 Receiver Performance

Position Accuracy ¹	Single point	L1 only	1.5 m RMS
		L1/L2	1.2 m RMS
	NovAtel CORRECT	SBAS ²	60 cm RMS
		DGPS	40 cm RMS
		PPP ^{3, 4} TerraStar-L TerraStar-C	40 cm RMS 4 cm RMS
		RTK	1 cm + 1 ppm RMS
Signals Tracked	GPS	L1 C/A, L1C, L2C, L2P, L5	
	GLONASS	L1 C/A, L2C, L2P, L3, L5 ⁵	
	BeiDou	B1, B2, B3	
	Galileo	E1, E5 AltBOC, E5a, E5b, E6 ⁶	
	IRNSS	L5 ⁷	
	SBAS	L1, L5	
	QZSS	L1 C/A, L1C, L2C, L5, L6	
	L-Band	Up to 5 channels ⁸	
Time to First Fix	Hot: <26 s (Almanac and recent ephemeris saved and approximate position and time entered) Cold: <46 s (No almanac or ephemeris and no approximate position or time)		

¹Typical values. All position and velocity RMS values are based on Horizontal position accuracy. Performance specifications are subject to GPS system characteristics, U.S. DOD operational degradation, ionospheric and tropospheric conditions, satellite geometry, baseline length and multipath effects.

²GPS-only.

³Requires a TerraStar subscription which is available direct from NovAtel www.novatel.com/products/novatel-correct-ppp.

⁴Performance dependent on local observing conditions.

⁵Although hardware capable, GLONASS L5 is currently not available.

⁶Although hardware capable, Galileo E6 is currently not available.

⁷Although hardware capable, IRNSS L5 is currently not available.

⁸Currently the receiver can track up to 3 L-Band channels.

Signal Reacquisition	<0.5 s L1 (typical) <1.0 s L2 and L5 (typical)				
Data Rates	Measurements	up to 100 Hz			
	Position	up to 100 Hz			
Time Accuracy ¹	20 ns RMS				
Velocity Accuracy	<0.03 m/s RMS				
Measurement Precision		GPS		GLONASS	
		Code	Carrier	Code	Carrier
	L1 C/A	4 cm	0.5 mm	8 cm	1.0 mm
	L2 P(Y) ²	8 cm	1.0 mm	8 cm	1.0 mm
	L2 C ³	8 cm	0.5 mm	8 cm	1.0 mm
	L5	3 cm	0.5 mm	-	-
Velocity Limit	515 m/s ⁴				

¹Time accuracy does not include biases due to RF or antenna delay.

²L2 P for GLONASS

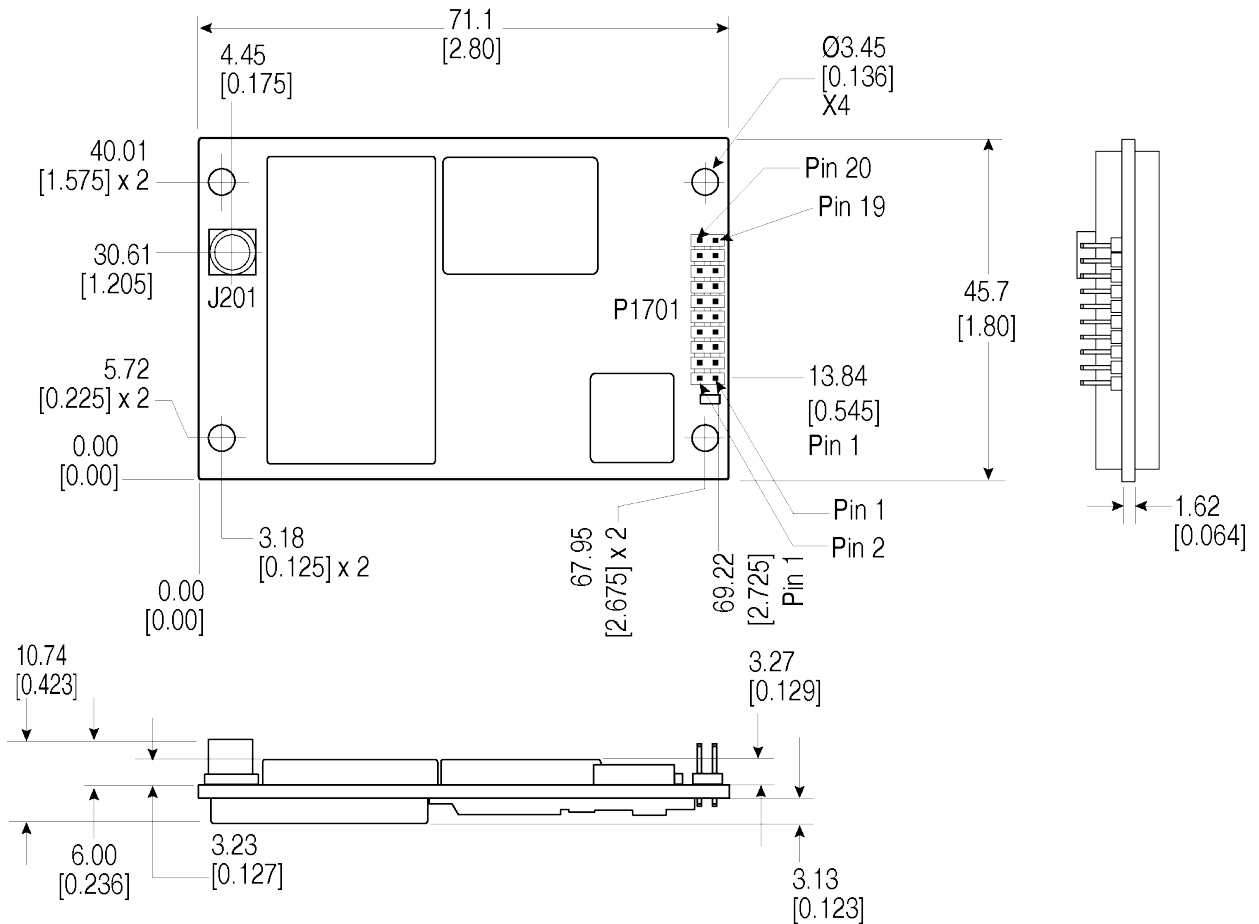
³L2 C/A for GLONASS

⁴Export licensing restricts operation to a maximum of 515 metres per second, message output impacted above 500 m/s.

A.2 OEM719 Mechanical Specifications

- *Figure 39: OEM719 Dimensions* below
- *Figure 40: OEM719 Keep-outs* on the next page
- *Figure 41: OEM719A Dimensions* on page 115
- *Figure 42: OEM719A Keep-outs* on page 116
- *Figure 43: OEM719B Dimensions* on page 117
- *Figure 44: OEM719B Keep-outs* on page 118
- *Figure 45: OEM719 Mounting Surface* on page 119

Figure 39: OEM719 Dimensions



Notes: 719

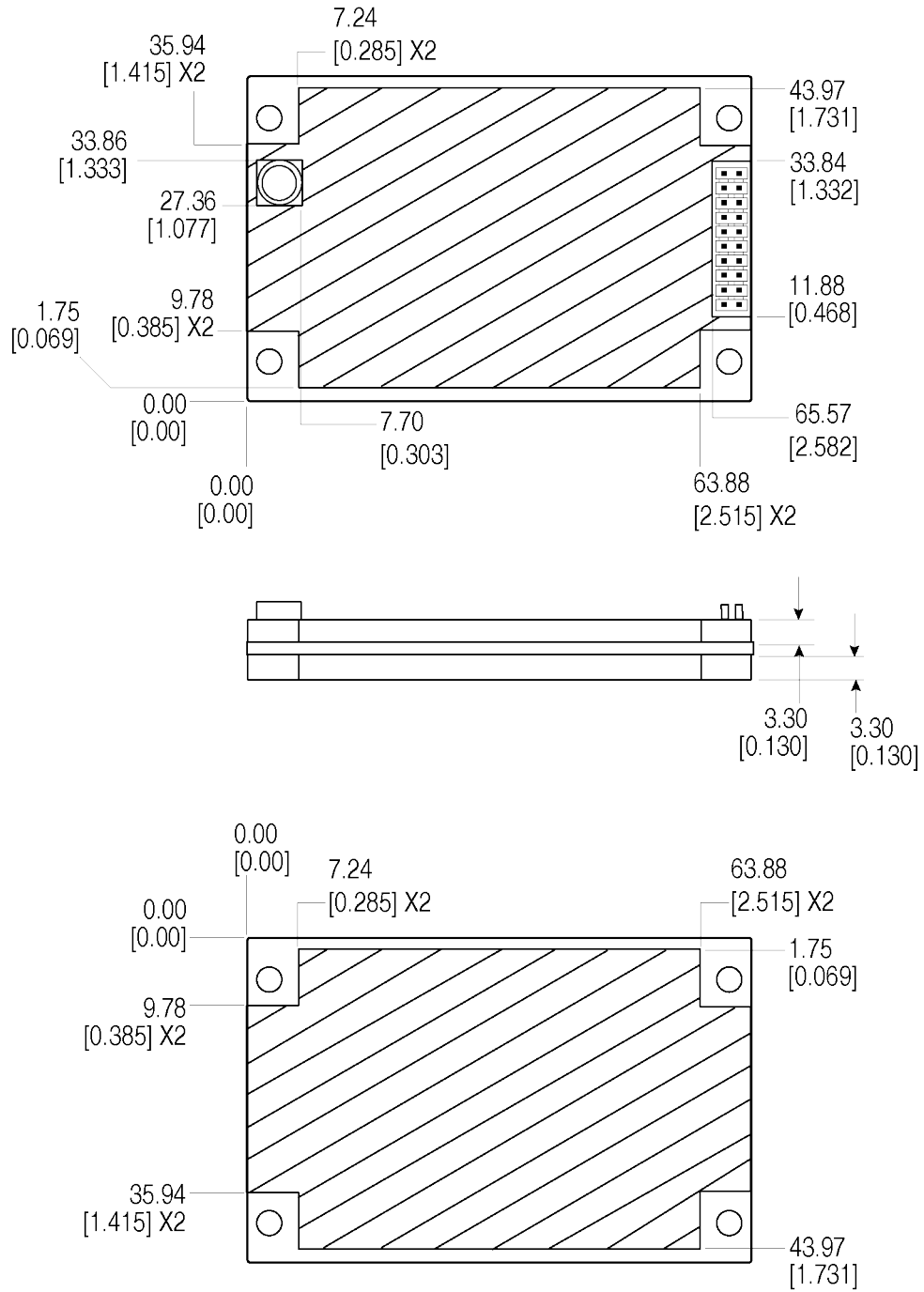
Dimensions are in millimetres [inches].

Connectors:

(a) J201 MCX jack receptacle, straight (Johnson P/N 133-3711-202 or Samtec P/N MCX-J-P-HST-SMI or equivalent)

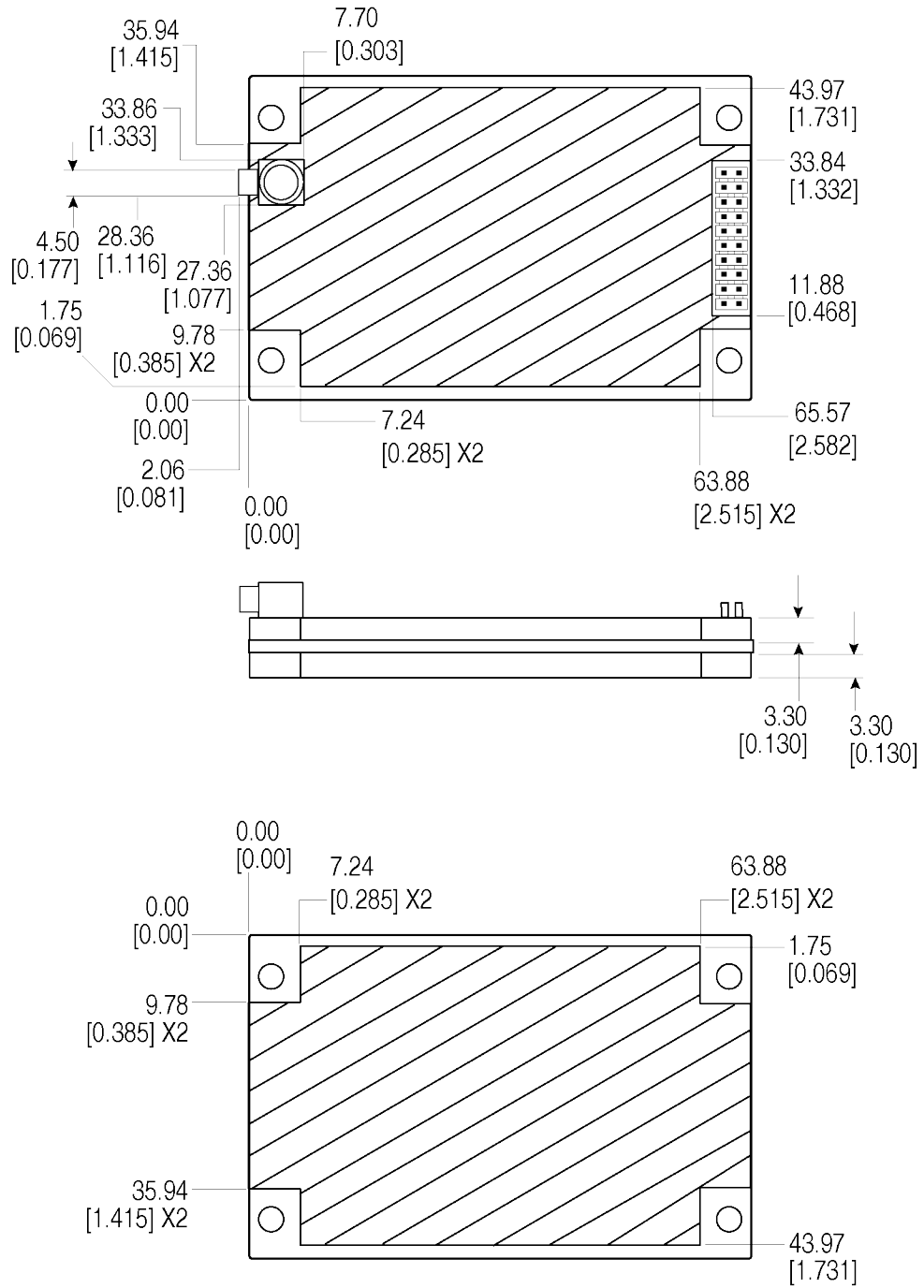
(b) P1701 2x10 header, 2 mm pitch (Samtec P/N TMM-110-03-G-D)

Figure 40: OEM719 Keep-outs



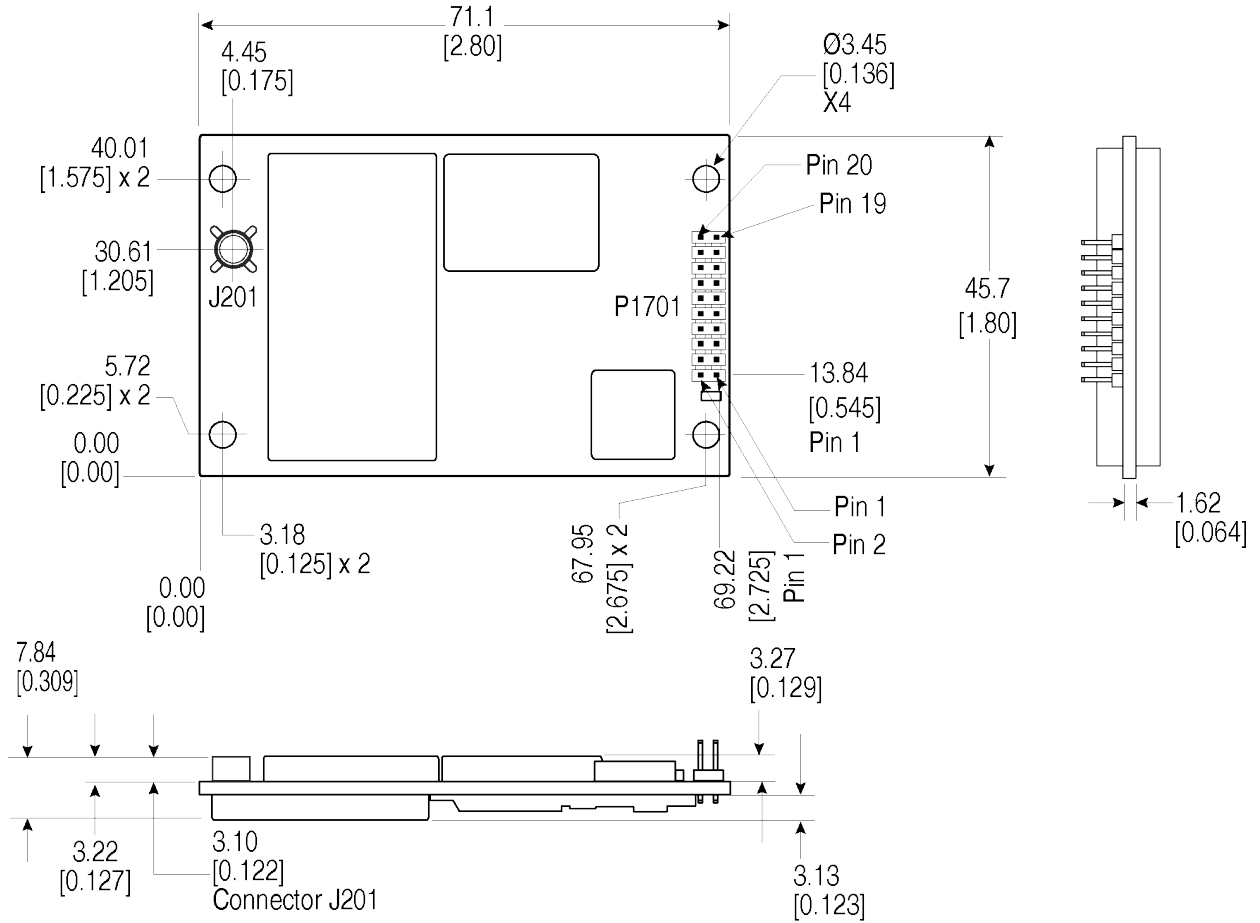
Dimensions are in millimetres [inches].

Figure 42: OEM719A Keep-outs



Dimensions are in millimetres [inches].

Figure 43: OEM719B Dimensions



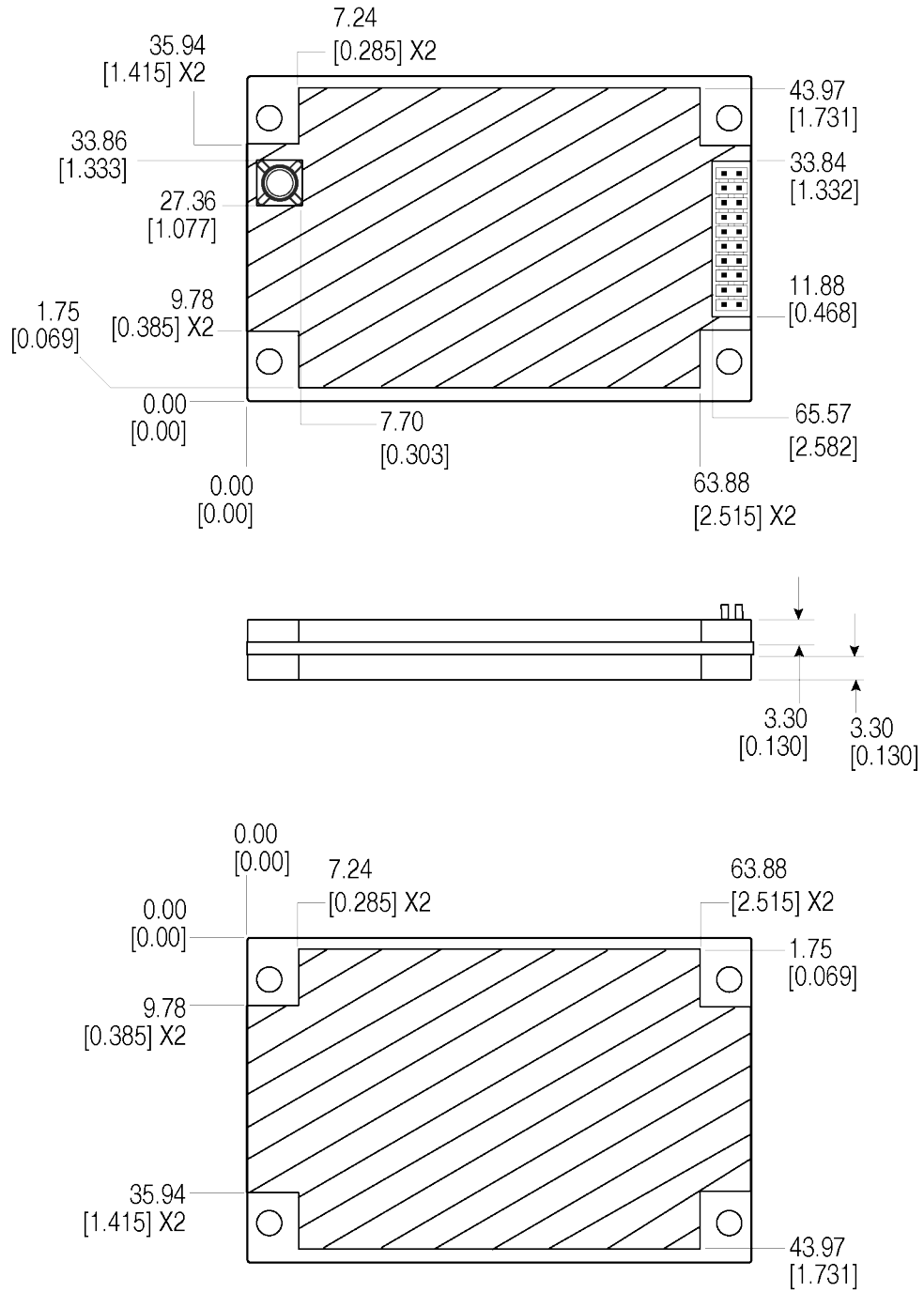
Notes: 719B

Dimensions are in millimetres [inches].

Connectors:

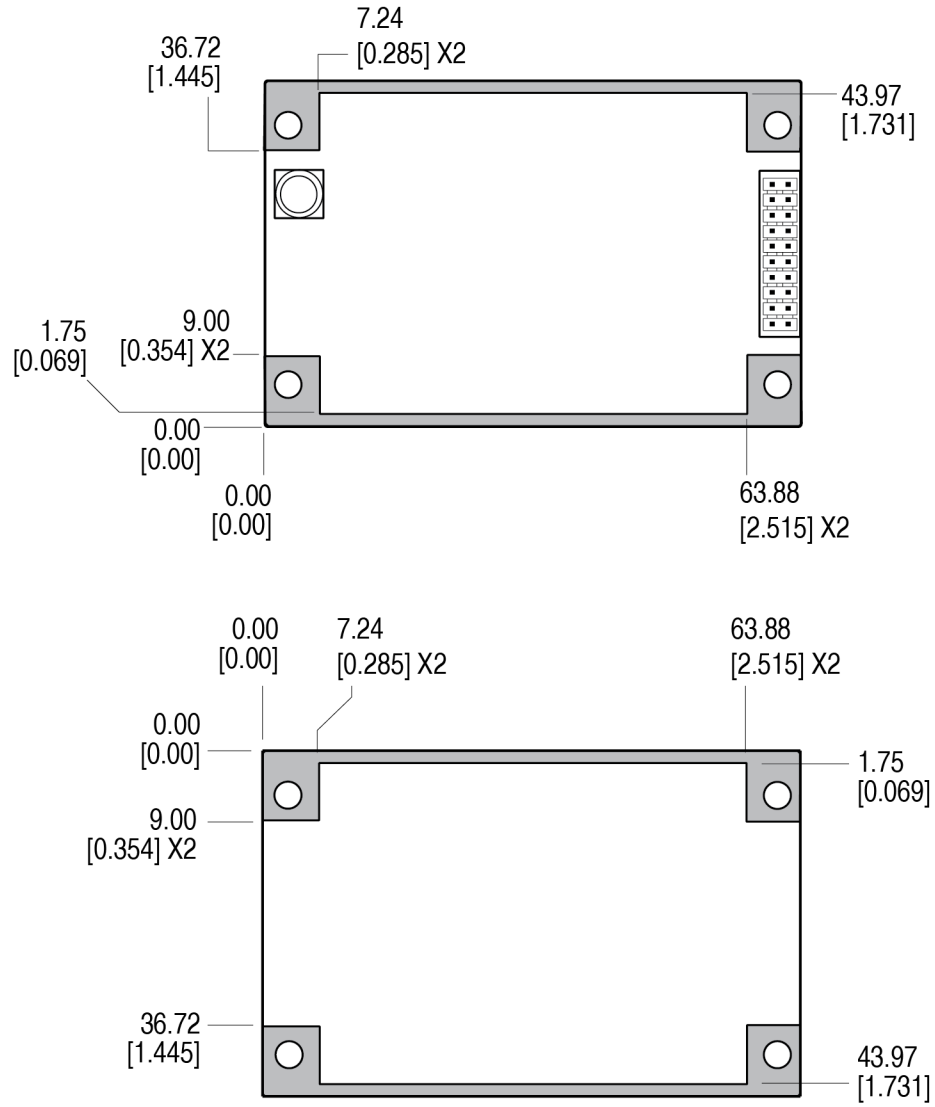
- (a) J201: MMBX jack receptible, straight (Huber+Shuhner 82-MMBX-S50-0-1/111_NM)
- (b) P1701: 2x10 header, 2 mm pitch (Samtec P/N TMM-110-03-G-D)

Figure 44: OEM719B Keep-outs



Dimensions are in millimetres [inches].

Figure 45: OEM719 Mounting Surface



Dimensions are in millimetres [inches].

The mounting surfaces are shown in gray. These mounting surfaces apply to all variants of the OEM719.

These mounting surfaces are designed to work with mounting rails.




Assembly tolerances must be considered when using mounting rail features.

A.3 OEM719 Electrical and Environmental Specifications

Table 15: OEM719 Environmental Specifications

Operating Temperature	-40°C to +85°C
Storage Temperature	-55°C to +95°C
Humidity	95% non-condensing
Random Vibration	MIL-STD 810G Method 514.7, Category 24 (20 g RMS) ¹
Sinusoidal Vibration	IEC 60068-2-6
Bump	ISO 9022-31-06 (25 g)
Shock	
Operating	MIL-STD-810G (40 g)
Non-operating	MIL-STD-810G, Method 516.7 (75 g)
Acceleration, Operating	MIL-STD-810G, Method 513.7 (16 g)

Table 16: OEM719 Power Requirements

Voltage	+3.3 VDC ±5%
Allowable Input Voltage Ripple	100 mV p-p maximum
Power Consumption	<p>0.9 W typical, GPS L1 only 1.3 W typical, GPS L1/L2, GLONASS L1/L2 1.8 W typical, all constellations/all frequencies, plus L-Band</p> <div style="border: 1px solid black; padding: 5px; margin-top: 10px;">  <p>These are typical values using serial ports without interference mitigation. Values can change with the number of satellites in view, firmware version, data logging rates and features in use. Use them as a guide for what you might expect but not as absolute values.</p> </div>
In-Rush Power Consumption	1.71 A for less than 1.5 ms (typical)

¹Requires mechanical mounting rails to meet 20 g; meets 7.7 g without rails.

Table 17: OEM719 RF Input/LNA Power Output

Antenna Connector	OEM719	MCX female, 50 Ω nominal impedance		
	OEM719A	Right angle, MCX female, 50 Ω nominal impedance		
	OEM719B	MMBX female, 50 Ω nominal impedance		
Cascaded antenna LNA gain	15 dB minimum, 26 dB to 30 dB typical (before receiver)			
RF Input Frequencies	GPS L1:	1575.42 MHz	GLONASS L1:	1593-1610 MHz
	GPS L2:	1227.60 MHz	GLONASS L2:	1237-1254 MHz
	GPS L5:	1176.45 MHz	GLONASS L3:	1202.025 MHz
	BeiDou B1:	1561.098 MHz	Galileo E1:	1575.42 MHz
	BeiDou B2:	1207.14 MHz	Galileo E5a:	1176.45 MHz
	BeiDou B3:	1268.52 MHz	Galileo E5b:	1207.14 MHz
	L-Band:	1525 to 1560 MHz	Galileo E5:	1191.795 MHz
LNA Power	<p>+5.0 VDC \pm5%, 0 mA to 200 mA (supplied by card through center conductor of RF connector).</p> <p>LNA Power is generated from the 3.3 V supply input for the OEM719.</p> <p>Note: Pin 1 of P1701 is not electrically connected on the OEM719. This was the external LNA power input (LNA-PWR) on the OEM615.</p>			

A.4 OEM719 Data Communication Specifications

Table 18: OEM719 Data Communication Interfaces

COM1	
Electrical format	LVC MOS
Data rates ¹	2400, 4800, 9600 (default), 19200, 38400, 57600, 115200, 230400 or 460800 bit/s.
Signals supported	COM1_Tx, COM1_Rx
Electrostatic discharge protection	No
COM2	
Electrical format	LVC MOS
Data rates ¹	2400, 4800, 9600 (default), 19200, 38400, 57600, 115200, 230400 or 460800 bit/s.
Signals supported	COM2_Tx, COM2_Rx
Electrostatic discharge protection	No
COM3	
Electrical format	LVC MOS ^{2, 3}
Data rates ¹	2400, 4800, 9600 (default), 19200, 38400, 57600, 115200, 230400 or 460800 bit/s.
Signals supported	COM3_Tx, COM3_Rx
Electrostatic discharge protection	No
CAN Bus	
Electrical format	LVC MOS (requires external CAN transceiver)
Data rates	250, 500 or 1000 kb/s CAN Bus throughput is determined by slowest device on the bus

¹Data rates higher than 115200 bit/s are not supported by standard PC hardware. Special computer hardware may be required for higher rates, including 230400 bit/s and 460800 bit/s.

²COM3 is disabled by default.

³Event2 is enabled by default, but is multiplexed with CAN1. CAN functionality must be disabled for Event2 to work properly.

Signals supported	CAN1Tx, CAN1Rx, CAN2Tx, CAN2Rx
USB	
Electrical format	Conforms to USB 2.0
Data rates	Hi-speed (480 Mb/s) and Full-speed (12 Mb/s) ¹
Signals supported	USB D (+), USB D (-)

¹USB data rate defaults to Full-speed (12 Mb/s). The data rate can be changed to Hi-speed (480 Mb/s) using the USBCONFIG command.

A.5 OEM719 Strobe Specifications

Table 19: OEM719 Strobe Description

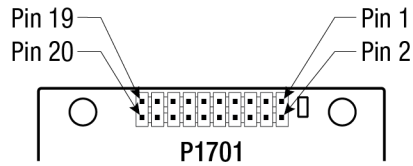
Strobes	Input/Output	Factory Default	Comment
Event1 (Mark 1)	Input Leading edge triggered	Active low	An input mark for which a pulse greater than 150 ns triggers certain logs to be generated. (Refer to the MARKPOS and MARKTIME logs and ONMARK trigger.) Polarity is configurable using the MARKCONTROL command. The mark inputs have 10K pull-up resistors to 3.3 V Note: Event1 is the default behavior for pin 9 of connector P1701. The secondary behavior for pin 9 is COM3_Tx. If COM3 is enabled, the Event1 input is disabled.
Event2 (Mark 2)	Input Leading edge triggered	Active low	An input mark for which a pulse greater than 150 ns triggers certain logs to be generated (see the MARK2POS and MARK2TIME logs). Polarity is configurable using the MARKCONTROL command. The mark inputs have 10K pull-up resistors to 3.3 V Note: Event2 is the default behavior for pin 7 of connector P1701. The secondary behavior for pin 7 is CAN1Tx. If CAN1 is enabled, the Event2 input is disabled.
PPS	Output	Active low	A time synchronization output. This is a pulse where the leading edge is synchronized to receiver-calculated GNSS Time. The polarity, period and pulse width can be configured using the PPSCONTROL command
PV (Position Valid)	Output	Active high	Indicates a valid GNSS position solution is available.
nRESET_IN	Input	Active low	Reset signal input from external system; active low, > 20 µs duration. Hold the RESETIN pin low for >150 ms after power is applied
VARF (Variable Frequency)	Output	Active low	A programmable variable frequency output ranging from 0 - 50 MHz (refer to the FREQUENCYOUT command) Note: VARF is the default behavior for pin 6 of connector P1701. The secondary behavior for pin 6 is CAN1Rx. If CAN1 is enabled, the VARF output is disabled.

Table 20: OEM719 Strobe Electrical Specification

Strobe	Sym	Min (V)	Typ (V)	Max (V)	Current (mA)
Event1 (Mark1)	V _{IL}			0.7	-
Event2 (Mark2)	V _{IH}	2.1			
PPS	V _{OL}			0.4	16
	V _{OH}	2.9			
PV	V _{OL}			0.4	4
	V _{OH}	2.9			
nRESET_IN	V _{IL}			0.8	-
	V _{IH}	2.3			
VARF	V _{OL}			0.4	4
	V _{OH}	2.9			

A.6 OEM719 Interface Connector

A.6.1 P1701 Main Connector 20-Pin Header



Pin	Signal Name	Signal Type	Signal Direction	V _{IL} Max (V)	V _{IH} Min (V)	V _{OL} Max (V)	V _{OH} Min (V)	Drive (mA)	Description
1	NC	-	-	-	-	-	-	-	No internal connection on OEM719 receiver. (This pin was the supply feed for the external GNSS antenna on the OEM6 family. The OEM719 generates the antenna power from the 3.3V supply input.)
2	3V3	Power	-	-	-	-	-	-	3.3 V ±5% supply voltage. This is now monitored by the receiver itself. (Out-of-tolerance supply inputs may generate warning or error messages.)
3	USB_D-	Analog	Input/Output	-	-	-	-	-	This is one half of a USB differential pair (pins 3 and 4), match lengths and route as 90 Ω differential pair if USB is used.

Pin	Signal Name	Signal Type	Signal Direction	V _{IL} Max (V)	V _{IH} Min (V)	V _{OL} Max (V)	V _{OH} Min (V)	Drive (mA)	Description
4	USB_D+/ RXD3	Analog /3.3V CMOS	USB_D+: Input/ Output	-	-	-	-	-	This pin is internally multiplexed. USB_D+ is the default. USB_D+: This is one half of a USB differential pair (pins 3 and 4), match lengths and route as 90 Ω differential pair if USB is used.
			RXD3 Input	0.7	2.1	-	-	-	RXD3: COM3 Receive Data (UART). Internal weak (40 kΩ to 100 kΩ) pullup.
5	nRESET_IN	3.3V CMOS	Input	0.8	2.3	-	-	-	Active Low. Resets the OEM719 receiver card. This pin must be held low for a minimum of 100 microseconds to guarantee operation. Internal 10 kΩ pullup.
6	VARF/ CAN1RX	3.3V CMOS	VARF: Output	-	-	0.4	2.9	4	This pin is internally multiplexed. VARF is the default. VARF: Variable Frequency Output. Rising or falling edge active.
			CAN1RX: Input	0.7	2.1	-	-	-	CAN1RX: a CMOS-level signal, requiring an external CAN transceiver. Internal 10 kΩ pullup.

Pin	Signal Name	Signal Type	Signal Direction	V _{IL} Max (V)	V _{IH} Min (V)	V _{OL} Max (V)	V _{OH} Min (V)	Drive (mA)	Description
7	EVENT2/ CAN1TX	3.3V CMOS	EVENT2: Input	0.7	2.1	-	-	-	This pin is internally multiplexed. EVENT2 is the default. EVENT2: Rising edge triggered.
			CAN1TX: Output	-	-	0.4	2.9	4	CAN1TX is a CMOS-level signal, requiring an external CAN transceiver. Internal 10 kΩ pullup.
8	CAN2RX	3.3V CMOS	Input	0.7	2.1	-	-	-	CAN2RX is a CMOS-level signal, requiring an external CAN transceiver.
9	EVENT1/ TXD3	3.3V CMOS	EVENT1: Input	0.7	2.1	-	-	-	This pin is internally multiplexed. EVENT1 is the default. EVENT1: Rising edge triggered.
			TXD3: Output	-	-	0.4	2.9	4	TXD3: COM3 Transmit Data (UART) Internal 10 kΩ pullup.
10	GND	Power	-	-	-	-	-	-	Supply Return (Ground)
11	TXD1	3.3V CMOS	Output	-	-	0.8	2.0	16	COM1 Transmit Data (UART) For SPAN applications, this pin can be configured to output a timing signal periodically (generally 1PPS).
12	RXD1	3.3V CMOS	Input	0.7	2.1	-	-	-	COM1 Receive Data (UART) Internal weak (40 kΩ to 100 kΩ) pullup.
13	GND	Power	-	-	-	-	-	-	Supply Return (Ground)

Pin	Signal Name	Signal Type	Signal Direction	V _{IL} Max (V)	V _{IH} Min (V)	V _{OL} Max (V)	V _{OH} Min (V)	Drive (mA)	Description
14	TXD2	3.3V CMOS	Output	-	-	0.4	2.9	4	COM2 Transmit Data (UART) For SPAN applications, this pin can be configured to output a timing signal periodically (generally 1PPS).
15	RXD2	3.3V CMOS	Input	0.7	2.1	-	-	-	COM2 Receive Data (UART) Internal weak (40 kΩ to 100 kΩ) pullup.
16	GND	Power	-	-	-	-	-	-	Supply Return (Ground)
17	PV	3.3V CMOS	Output	-	-	0.4	2.9	4	Active High. Position Valid Indicator. Indicates that the receiver has computed a position. Active high output.
18	GND	Power	-	-	-	-	-	-	Supply Return (Ground)
19	PPS	3.3V CMOS	Output	-	-	0.55	2.4	16	Rising or Falling Edge active. (Software-configurable active edge.) This pin can be configured to provide a GNSS-synchronized time output (commonly Pulse Per Second but can operate at other rates as well).
20	CAN2TX	3.3V CMOS	Output	-	-	0.4	2.9	4	CAN2TX is a CMOS-level signal, requiring an external CAN transceiver.

APPENDIX B OEM729 Technical Specifications

Table 21: OEM729 Physical Description

Size	60 mm x 100 mm x 9 mm
Weight	48 grams
NovAtel Part Number	Generic assembly OEM729 01019523

See the following sections for more information about the OEM729:

- *OEM729 Performance Specifications* on the next page
- *OEM729 Mechanical Specifications* on page 133
- *OEM729 Electrical and Environmental Specifications* on page 136
- *OEM729 Data Communication Specifications* on page 138
- *OEM729 Strobe Specifications* on page 140
- *OEM729 Interface Connectors* on page 142

B.1 OEM729 Performance Specifications

All specifications subject to GNSS system characteristics.

Table 22: OEM729 Receiver Performance

Position Accuracy ¹	Single point	L1 only	1.5 m RMS
		L1/L2	1.2 m RMS
	NovAtel CORRECT	SBAS ²	60 cm RMS
		DGPS	40 cm RMS
		PPP ^{3, 4}	
		TerraStar-L TerraStar-C	40 cm RMS 4 cm RMS
RTK	1 cm + 1 ppm RMS		
Signals Tracked	GPS	L1 C/A, L1C, L2C, L2P, L5	
	GLONASS	L1 C/A, L2C, L2P, L3, L5 ⁵	
	BeiDou	B1, B2, B3	
	Galileo	E1, E5 AltBOC, E5a, E5b, E6 ⁶	
	IRNSS	L5 ⁷	
	SBAS	L1, L5	
	QZSS	L1 C/A, L1C, L2C, L5, L6	
	L-Band	Up to 5 channels ⁸	
Time to First Fix	Hot: <26 s (Almanac and recent ephemeris saved and approximate position and time entered) Cold: <46 s (No almanac or ephemeris and no approximate position or time)		

¹Typical values. All position and velocity RMS values are based on Horizontal position accuracy. Performance specifications are subject to GPS system characteristics, U.S. DOD operational degradation, ionospheric and tropospheric conditions, satellite geometry, baseline length and multipath effects.

²GPS-only.

³Requires a TerraStar subscription which is available direct from NovAtel www.novatel.com/products/novatel-correct-ppp.

⁴Performance dependent on local observing conditions.

⁵Although hardware capable, GLONASS L5 is currently not available.

⁶Although hardware capable, Galileo E6 is currently not available.

⁷Although hardware capable, IRNSS L5 is currently not available.

⁸Currently the receiver can track up to 3 L-Band channels.

Signal Reacquisition	<0.5 s L1 (typical) <1.0 s L2 and L5 (typical)				
Data Rates	Measurements	up to 100 Hz			
	Position	up to 100 Hz			
Time Accuracy ¹	20 ns RMS				
Velocity Accuracy	<0.03 m/s RMS				
Measurement Precision		GPS		GLO	
		Code	Carrier	Code	Carrier
	L1 C/A	4 cm	0.5 mm	8 cm	1.0 mm
	L2 P(Y) ²	8 cm	1.0 mm	8 cm	1.0 mm
	L2 C ³	8 cm	0.5 mm	8 cm	1.0 mm
	L5	3 cm	0.5 mm	-	-
Velocity Limit	515 m/s ⁴				

¹Time accuracy does not include biases due to RF or antenna delay.

²L2 P for GLONASS.

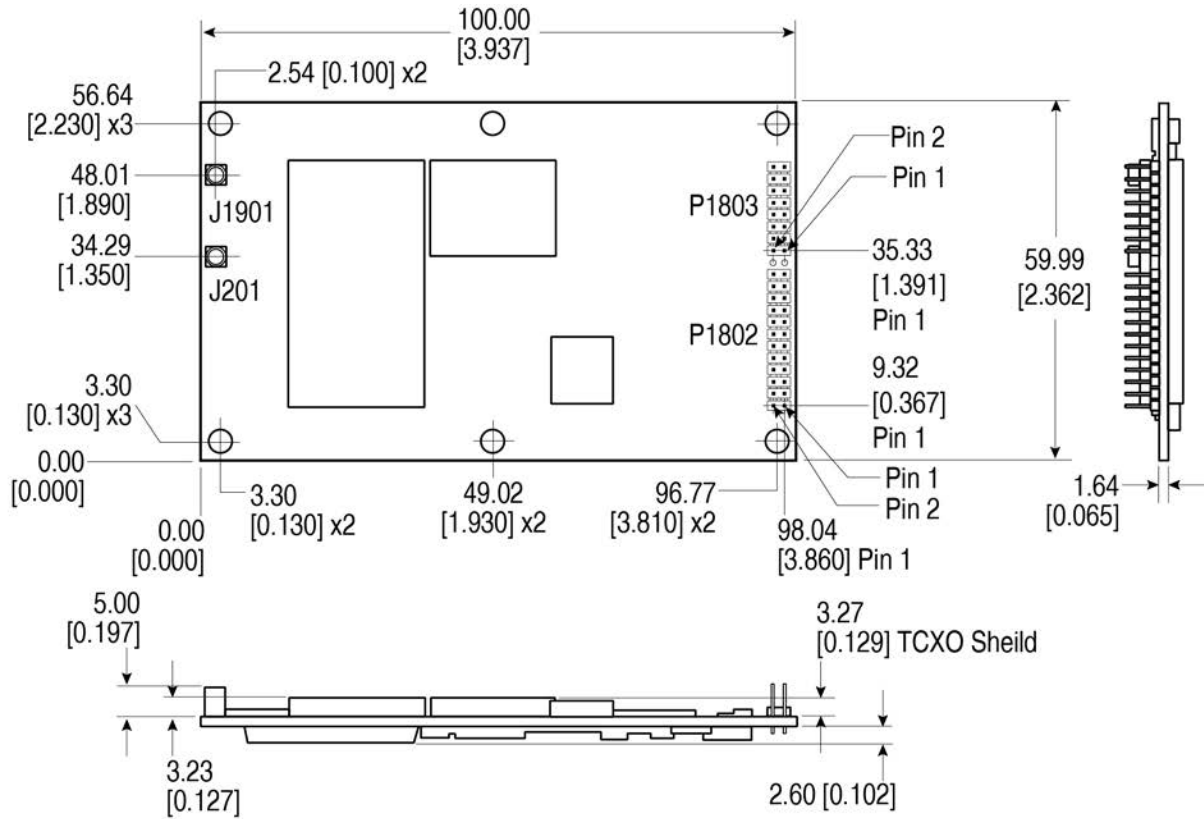
³L2 C/A for GLONASS.

⁴Export licensing restricts operation to a maximum of 515 metres per second, message output impacted above 500 m/s.

B.2 OEM729 Mechanical Specifications

- Figure 46: OEM729 Dimensions below
- Figure 47: OEM729 Keep-outs on the next page
- Figure 48: OEM729 Mounting Surfaces on page 135

Figure 46: OEM729 Dimensions



Notes:

Dimensions are in millimetres [inches].

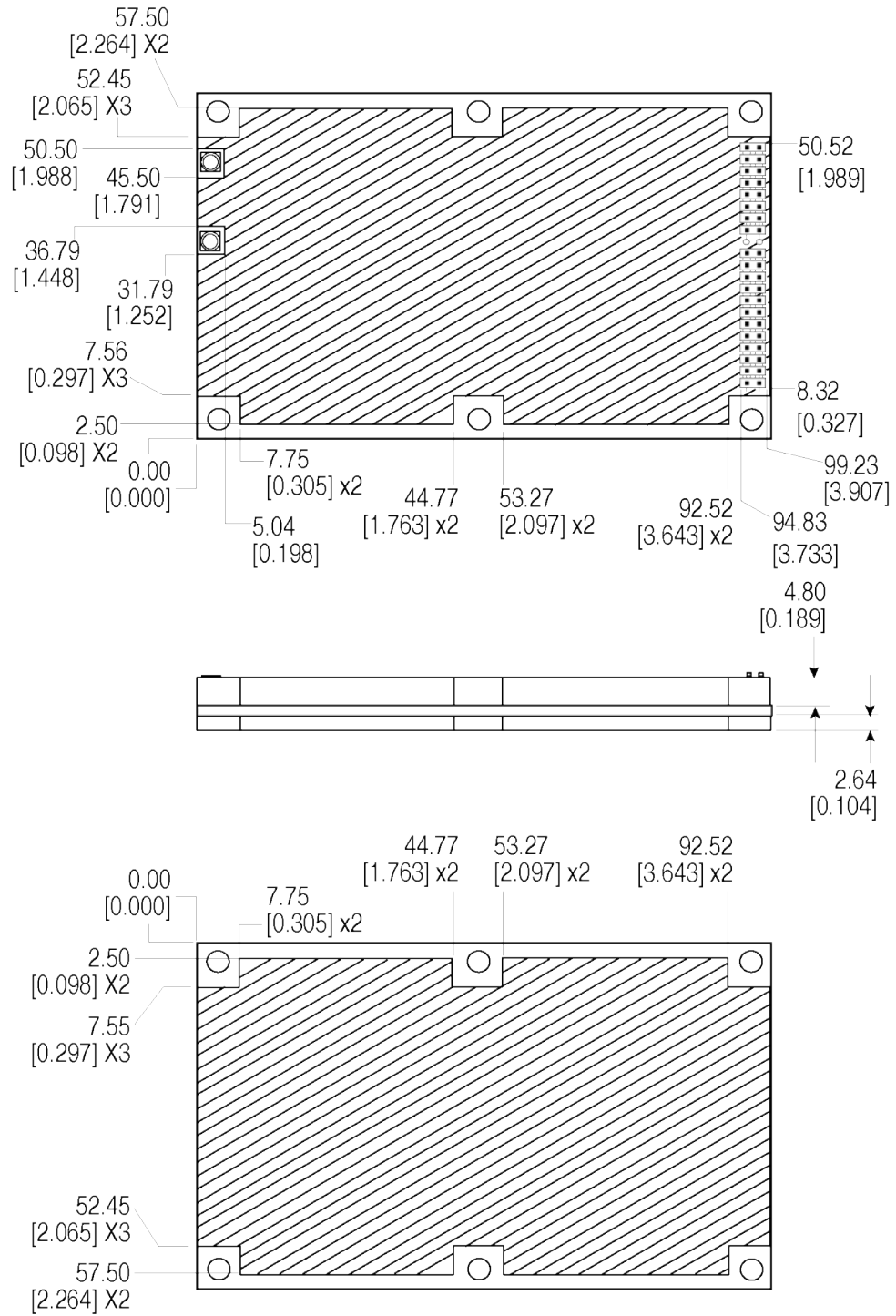
Connectors:

(a) J201 and 1901 MMCX jack receptacle (Johnson P/N 135-3701-201 or Samtec P/N RSP-149374-01 or equivalent)

(b) P1802 2x12 header, 2 mm pitch (Samtec P/N TMM-112-03-G-D)

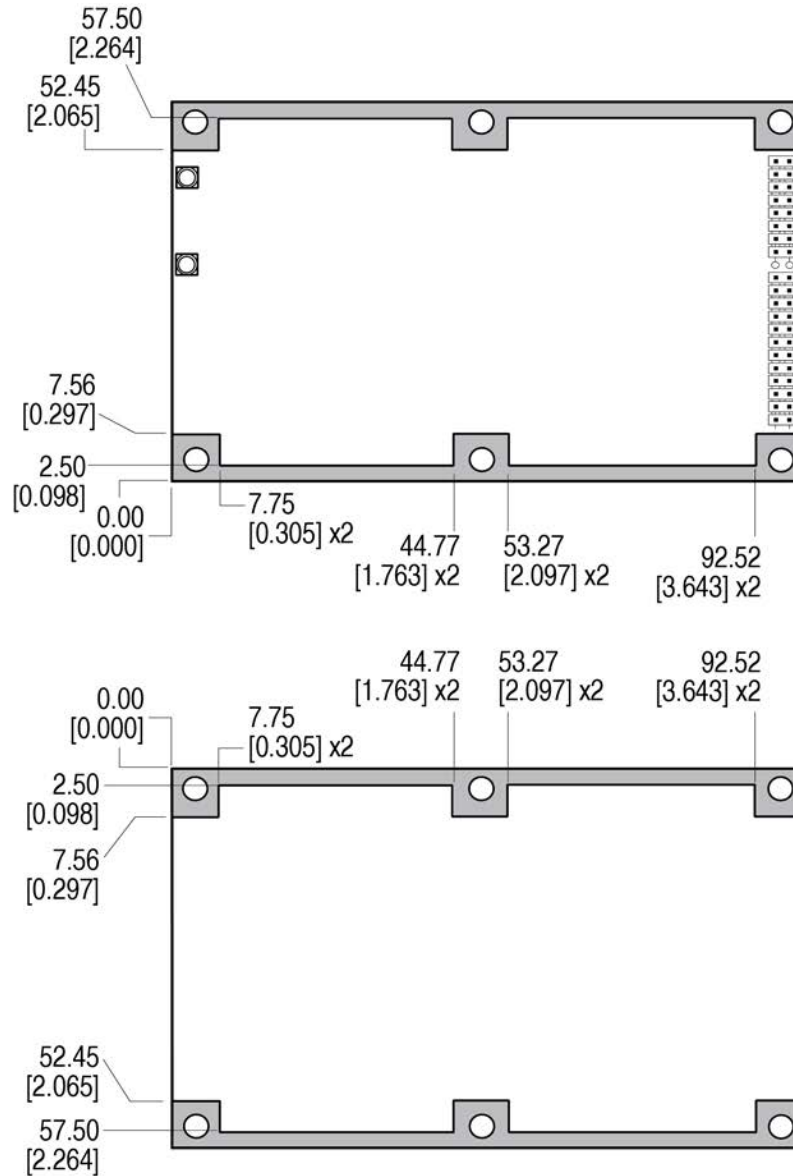
P1803 2x8 header, 2 mm pitch (Samtec P/N TMM-108-03-G-D)

Figure 47: OEM729 Keep-outs



Dimensions are in millimetres [inches].

Figure 48: OEM729 Mounting Surfaces



Dimensions are in millimetres [inches].

The mounting surfaces are shown in gray.



Assembly tolerances must be considered when using mounting rail features.

B.3 OEM729 Electrical and Environmental Specifications

Table 23: OEM729 Environmental Specifications

Operating Temperature	-40°C to +85°C
Storage Temperature	-55°C to +95°C
Humidity	95% non-condensing
Random Vibration	MIL-STD 810G, Method 514.7, Category 24 (20 g RMS)
Sinusoidal Vibration	IEC 60068-2-6
Bump	ISO 9022-31-06 (25 g)
Shock	
Operating	MIL-STD-810G (40 g)
Non-operating	MIL-STD-810G, Method 516.7 (75 g)
Acceleration	MIL-STD-810G, Method 513.7, (16 g)

Table 24: OEM729 Power Requirements


Voltage	+3.3 VDC \pm 5%
Allowable Input Voltage Ripple	100 mV p-p maximum
Power Consumption	<p>0.9 W typical, GPS L1 only 1.3 W typical, GPS L1/L2, GLONASS L1/L2 1.8 W typical, all constellations, all frequencies, plus L-Band</p> <div style="border: 1px solid black; padding: 5px; margin-top: 10px;">  <p>These are typical values using serial ports without interference mitigation. These values can change with the number of satellites in view, firmware version, data logging rates and features in use. Use them as a guide for what you might expect but not as absolute values</p> </div>
In-Rush Power Consumption	2.0 A for less than 1.8 ms (typical)

Table 25: OEM729 RF Input/LNA Power Output

Antenna Connector	MMCX female, 50 Ω nominal impedance			
Cascaded antenna LNA gain	15 dB minimum, 26 dB to 30 dB typical (before receiver)			
RF Input Frequencies	GPS L1:	1575.42 MHz	GLONASS L1:	1593-1610 MHz
	GPS L2:	1227.60 MHz	GLONASS L2:	1237-1254 MHz
	GPS L5:	1176.45 MHz	GLONASS L3:	1202.025 MHz
	BeiDou B1:	1561.098 MHz	Galileo E1:	1575.42 MHz
	BeiDou B2:	1207.14 MHz	Galileo E5a:	1176.45 MHz
	BeiDou B3:	1268.52 MHz	Galileo E5b:	1207.14 MHz
	L-Band:	1525 to 1560 MHz	Galileo E5:	1191.795 MHz
LNA Power	+5.0 VDC ±5%, 0 mA to 200 mA (supplied by card through center conductor of RF connector). LNA Power is generated from the 3.3 V supply input for the OEM729.			

Table 26: OEM729 External Oscillator Input

External Oscillator Connector	MMCX female, 50 Ω nominal impedance
External Clock input	Refer to the EXTERNALCLOCK command
Frequency	5 MHz or 10 MHz
Input Impedance	50 Ohm nominal
Input VSWR	<2:1
Signal Level	0 dBm minimum to +13.0 dBm maximum
Frequency Stability	±0.5 ppm maximum
Wave Shape	Sinusoidal

B.4 OEM729 Data Communication Specifications

Table 27: Data Communications Interface

COM1	
Electrical format	RS-232/RS-422
Data rates ¹	2400, 4800, 9600 (default), 19200, 38400, 57600, 115200, 230400 or 460800 bit/s.
Signals supported	COM1_Tx, COM1_Rx, COM1_RTS, COM1_CTS
Electrostatic discharge protection	Yes
COM2	
Electrical format	LVC MOS
Data rates ¹	2400, 4800, 9600 (default), 19200, 38400, 57600, 115200, 230400 or 460800 bit/s.
Signals supported	COM2_Tx, COM2_Rx, COM2_RTS, COM2_CTS
Electrostatic discharge protection	No
COM3	
Electrical format	LVC MOS ^{2, 3}
Data rates ¹	2400, 4800, 9600 (default), 19200, 38400, 57600, 115200, 230400 or 460800 bit/s.
Signals supported	COM3_Tx, COM3_Rx
Electrostatic discharge protection	No
CAN Bus	
Electrical Format	LVC MOS

¹Data rates higher than 115200 bit/s are not supported by standard PC hardware. Special PC hardware may be required for higher rates, including 230400 bit/s and 460800 bit/s.

²Upon power-up, COM3 is enabled by default. COM3 is multiplexed with Event 2

³To enable EVENT2, issue the following commands:

```
INTERFACEMODE COM3 NONE NONE  
MARKCONTROL MARK2 ENABLE
```

Data rates	1 Mbps maximum. CAN Bus throughput is determined by slowest device on the bus
Signals supported	CAN1 and CAN2
USB	
Electrical format	Conforms to USB 2.0
Data rates	Hi-speed (480 Mb/s) and Full-speed (12 Mb/s) ¹
Signals supported	USB D (+), USB D (-)
ETHERNET	
Physical layer	10BASE-T/100BASE-TX

¹USB data rate defaults to Full-speed (12 Mb/s). The data rate can be changed to Hi-speed (480 Mb/s) using the USBCONFIG command.

B.5 OEM729 Strobe Specifications

Table 28: OEM729 Strobes Description

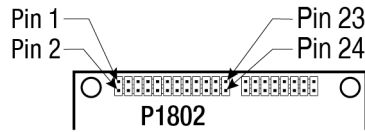
Strobes	Input/Output	Factory Default	Comment
ERROR	Output	Active high	Normally low. A high output on this pin indicates that the receiver is in an error state. For information about the cause of the error, log the RXSTATUS log.
Event1	Input Leading edge triggered	Active low	An input mark for which a pulse greater than 150 ns triggers certain logs to be generated. (Refer to the MARKPOS and MARKTIME logs and ONMARK trigger.) Polarity is configurable using the MARKCONTROL command.
Event2 (Mark 2)	Input Leading edge triggered	Active low	An input mark for which a pulse greater than 150 ns triggers certain logs to be generated. (Refer to the MARK2POS and MARK2TIME logs.) Polarity is configurable using the MARKCONTROL command. Note: Event2 is the default behavior for pin 7 of connector P1804. The secondary behavior for pin 7 is COM3_Rx. If COM3 is enabled, the Event2 input is disabled.
PPS	Output	Active low	A time synchronization output. This is a pulse where the leading edge is synchronized to receiver calculated GNSS Time. The polarity, period and pulse width can be configured using the PPSCONTROL command
PV (Position Valid)	Output	Active high	Indicates a valid GNSS position solution is available.
nRESET_IN	Input	Active low	Reset signal input from external system; active low, 50 ms duration. Hold the RESETIN pin low for >150 ms after power is applied
VARF (Variable Frequency)	Output	Active low	A programmable variable frequency output ranging from 0 Hz to 50 MHz (refer to the FREQUENCYOUT command)

Table 29: OEM729 Strobe Electrical Specifications

Strobe	Sym	Min (V)	Max (V)	Current (mA)
ERROR	V _{OL}		0.4	4
	V _{OH}	2.9		
Event1 (Mark) Event2 (Mark2)	V _{IL}		0.7	-
	V _{IH}	2.1		
PPS	V _{OL}		0.4	16
	V _{OH}	2.9		
PV	V _{OL}		0.4	4
	V _{OH}	2.9		
nRESET_IN	V _{IL}		0.8	-
	V _{IH}	2.3		
VARF	V _{OL}		0.4	4
	V _{OH}	2.9		

B.6 OEM729 Interface Connectors

B.6.1 P1802 Main Connector 24-Pin Header



Pin	Signal Name	Signal Type	Signal Direction	V _{IL} Max (V)	V _{IH} Min (V)	V _{OL} Max (V)	V _{OH} Min (V)	Drive (mA)	Description
1	GND	PWR	-	-	-	-	-	-	Ground reference
2	USER1 ¹	3.3V CMOS	Input/Output	0.7	2.1	0.4	2.9	4	User GPIO. May be accessed through the API ² Internal 10 kΩ pulldown.
3	VARF	3.3V CMOS	Output	-	-	0.4	2.9	4	Variable Frequency output Edges can be synchronized to the GNSS time reference. Internal 10 kΩ pullup
4	PPS	3.3V CMOS	Output	-	-	0.55	2.4	16	Pulse Per Second output This signal defaults to one pulse per second but may be altered across a wide range of frequencies using software commands. Edges can be synchronized to GNSS time reference.
5	3V3	PWR	-	-	-	-	-	-	3.3 V ±5% supply input
6	3V3	PWR	-	-	-	-	-	-	3.3 V ±5% supply input

¹On power up, if pin 2 is set LOW or not connected, COM1 will be configured as RS-232. If pin 2 is set high then COM1 will be configured as RS-422

²API functionality will not be available until the fourth quarter of 2017

Pin	Signal Name	Signal Type	Signal Direction	V _{IL} Max (V)	V _{IH} Min (V)	V _{OL} Max (V)	V _{OH} Min (V)	Drive (mA)	Description
7	COM3_RX/ EVENT2 ¹	3.3V CMOS	Input	0.7	2.1	-	-	-	This pin is internally multiplexed. COM3_RX: COM3 receive data input. EVENT2 input. Rising or falling edge triggered. This is used to provide position or time data on an external trigger. Internal 10 kΩ pullup.
8	EVENT1	3.3V CMOS	Input	0.7	2.1	-	-	-	EVENT1 input Rising or falling edge triggered. This input is used to provide a position or time data log based on an external trigger. Internal 10 kΩ pullup.
9	ERROR	3.3V CMOS	Output	-	-	0.4	2.9	4	ERROR output Normally low. A high output on this pin indicates that the receiver is in an error state. Internal 10 kΩ pulldown.
10	PV	3.3V CMOS	Output	-	-	0.4	2.9	4	Position Valid output A high output on this pin indicates that the receiver has computed a valid GNSS position. Internal 10 kΩ pulldown.

¹Through firmware, the COM3 UART may be configured on pins 7 and 19.

Pin	Signal Name	Signal Type	Signal Direction	V _{IL} Max (V)	V _{IH} Min (V)	V _{OL} Max (V)	V _{OH} Min (V)	Drive (mA)	Description
11	COM2_CTS	3.3V CMOS	Input	0.7	2.1	-	-	-	COM2 Clear To Send input This is an optional flow control signal for the COM2 UART. Internal weak (40 kΩ to 100 kΩ) pullup.
12	nRESET_IN	Other	Input	0.8	2.3	-	-	-	Active Low. Resets the OEM729 receiver card. This pin must be held low for a minimum of 100 microseconds to guarantee operation. Internal 10 kΩ pullup.
13	COM2_RTS	3.3V CMOS	Output	-	-	0.4	2.9	4	COM2 Request To Send output This is an optional flow control signal for the COM2 UART. For SPAN applications, this pin can be configured to output a timing signal periodically (generally 1PPS).
14	COM2_RX	3.3V CMOS	Input	0.7	2.1	-	-	-	COM2 Receive Data input Internal weak (40 kΩ to 100 kΩ) pullup.

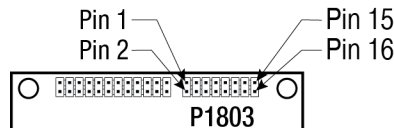
Pin	Signal Name	Signal Type	Signal Direction	V _{IL} Max (V)	V _{IH} Min (V)	V _{OL} Max (V)	V _{OH} Min (V)	Drive (mA)	Description
15	COM1_CTS/ COM1_RXD-	COM1_CTS: RS-232	Input	-	-	-	-	-	<p>This pin is internally multiplexed. COM1_CTS is the default.</p> <p>COM1_CTS: COM1 Clear To Send input. This is an optional flow control signal for the COM1 UART ($\pm 25V$ tolerant).</p> <p>COM1_RXD-: This is one half of the COM1 RS-422 receive differential pair (2V differential typical)</p>
		COM1_RXD-: RS-422	Input	-	-	-	-	-	
16	COM2_TX	3.3V CMOS	Output	-	-	0.4	2.9	4	<p>COM2 Transmit Data output</p> <p>For SPAN applications, this pin can be configured to output a timing signal periodically (generally 1PPS).</p>
17	COM1_RTS/ COM1_TXD-	COM1_RTS: RS-232	Output	-	-	-	-	-	<p>This pin is internally multiplexed. COM1_RTS is the default.</p> <p>COM1_RTS: COM1 Request To Send output. This is an optional flow control signal for the COM1 UART ($\pm 25V$ tolerant).</p> <p>COM1_TXD-: This is one half of the COM1 RS-422 transmit differential pair. (2V differential typical)</p>
		COM1_TXD-: RS-422	Output	-	-	-	-	-	

Pin	Signal Name	Signal Type	Signal Direction	V _{IL} Max (V)	V _{IH} Min (V)	V _{OL} Max (V)	V _{OH} Min (V)	Drive (mA)	Description
18	COM1_RX/ COM1_RXD+	COM1_RX: RS-232	Input	0.7	2.1	-	-	-	This pin is internally multiplexed. COM1_RX is the default. COM1_RX: COM1 Receive Data input ($\pm 25V$ tolerant).
		COM1_RXD+: RS-422	Input	-	-	-	-	-	COM1_RXD+: This is one half of the COM1 RS-422 receive differential pair (2V differential typical).
19	COM3_TX/ USER0	3.3V CMOS	COM3_TX: Output	-	-	0.4	2.9	4	This pin is internally multiplexed. COM3_TX is the default. COM3_TX: COM3 Transmit Data output.
			USER0: Input	0.7	2.1	-	-	-	USER0: User GPIO. May be accessed through the API. ¹ Internal 10 k Ω pull-down.
20	COM1_TX/ COM1_TXD+	COM1_TX: RS-232	Output	-	-	-	-	-	This pin is internally multiplexed. COM1_TX is the default. COM1_TX: COM1 Transmit Data output. ($\pm 25V$ tolerant) For SPAN applications, this pin can be configured to output a timing signal periodically (generally 1PPS).
		COM1_TXD+: RS-422	Output	-	-	-	-	-	COM1_TXD+: This is one half of the COM1 RS-422 transmit differential pair (2V differential typical)

¹API functionality will not be available until the fourth quarter of 2017

Pin	Signal Name	Signal Type	Signal Direction	V _{IL} Max (V)	V _{IH} Min (V)	V _{OL} Max (V)	V _{OH} Min (V)	Drive (mA)	Description
21	USB_D-	Analog	Input/Output	-	-	-	-	-	USB device signal. This is one half of the USB differential pair. USB_D+ and USB_D- must be length-matched and routed as a 90 Ω differential pair.
22	USB_D+	Analog	Input/Output	-	-	-	-	-	USB device signal. This is one half of the USB differential pair. USB_D+ and USB_D- must be length-matched and routed as a 90 Ω differential pair.
23	GND	PWR	-	-	-	-	-	-	Ground reference
24	GND	PWR	-	-	-	-	-	-	Ground reference

B.6.2 P1803 Expansion Connector 16-Pin Header



Pin	Signal Name	Signal Type	Signal Direction	V _{IL} Max (V)	V _{IH} Min (V)	V _{OL} Max (V)	V _{OH} Min (V)	Drive (mA)	Description
1	ETH_RD-	Analog	Input	-	-	-	-	-	This is one half of the Ethernet receive differential pair (100 Ω pair).
2	ETH_RD+	Analog	Input	-	-	-	-	-	This is one half of the Ethernet receive differential pair (100 Ω pair).

Pin	Signal Name	Signal Type	Signal Direction	V _{IL} Max (V)	V _{IH} Min (V)	V _{OL} Max (V)	V _{OH} Min (V)	Drive (mA)	Description
3	ETH_BIAS	PWR	-	-	-	-	-	-	Center tap power for Ethernet magnetics.
4	ETH_TD+	Analog	Output	-	-	-	-	-	This is one half of the Ethernet transmit differential pair (100 Ω pair).
5	ETH_TD-	Analog	Output	-	-	-	-	-	This is one half of the Ethernet transmit differential pair (100 Ω pair).
6	ETH_BIAS	PWR	-	-	-	-	-	-	Center tap power for Ethernet magnetics.
7	LED_A	3.3V CMOS	Output	-	-	0.4	2.9	8	Activity/Link indicator output. Polarity of the indicator signal is low. When there is an active link, the pin is low. When there is activity on the link, the pin outputs a blink signal.
8	LED_B	3.3V CMOS	Output	-	-	0.4	2.9	8	Speed indicator Low = 100 Mbps High = 10 Mbps
9	GND	PWR	-	-	-	-	-	-	Ground reference
10	CAN1TX	3.3V CMOS	Output	-	-	-	-	-	CAN1 Transmit data
11	CAN1RX	3.3V CMOS	Input	-	-	-	-	-	CAN1 Receive data
12	CAN2TX	3.3V CMOS	Output	-	-	-	-	-	CAN2 Transmit data
13	CAN2RX	3.3V CMOS	Input	-	-	-	-	-	CAN2 Receive data
14	UID	3.3V CMOS	Input/Output	-	-	-	-	-	USB Identification according to USB 2.0 specification. Selects Host or Device mode.

Pin	Signal Name	Signal Type	Signal Direction	V _{IL} Max (V)	V _{IH} Min (V)	V _{OL} Max (V)	V _{OH} Min (V)	Drive (mA)	Description
15	VUSB	PWR	-	-	-	-	-	-	5V output for hosted devices
16	GND	PWR	-	-	-	-	-	-	Ground reference

APPENDIX C OEM7700 Technical Specifications

Table 30: OEM7700 Physical Description

Size	46 mm x 71 mm x 11 mm
Weight	31 grams
NovAtel Part Number	Generic assembly OEM7700 01019525

See the following sections for more information about the OEM7700:

- *OEM7700 Performance Specifications* on the next page
- *OEM7700 Mechanical Specifications* on page 153
- *OEM7700 Electrical and Environmental Specifications* on page 156
- *OEM7700 Data Communication Specifications* on page 158
- *OEM7700 Strobe Specifications* on page 160
- *OEM7700 Interface Connector* on page 162

C.1 OEM7700 Performance Specifications

All specifications subject to GNSS system characteristics.

Table 31: OEM7700 Receiver Performance

Position Accuracy ¹	Single point	L1 only	1.5 m RMS
		L1/L2	1.2 m RMS
	NovAtel CORRECT	SBAS ²	60 cm RMS
		DGPS	40 cm RMS
		PPP ^{3, 4}	
		TerraStar-L TerraStar-C	40 cm RMS 4 cm RMS
RTK	1 cm + 1 ppm RMS		
Signals Tracked	GPS	L1 C/A, L1C, L2C, L2P, L5	
	GLONASS	L1 C/A, L2C, L2P, L3, L5 ⁵	
	BeiDou	B1, B2, B3	
	Galileo	E1, E5 AltBOC, E5a, E5b, E6 ⁶	
	IRNSS	L5 ⁷	
	SBAS	L1, L5	
	QZSS	L1 C/A, L1C, L2C, L5, L6	
	L-Band	Up to 5 channels ⁸	
Time to First Fix	Hot: <26 s (Almanac and recent ephemeris saved and approximate position and time entered) Cold: <46 s (No almanac or ephemeris and no approximate position or time)		

¹Typical values. All position and velocity RMS values are based on Horizontal position accuracy. Performance specifications are subject to GPS system characteristics, U.S. DOD operational degradation, ionospheric and tropospheric conditions, satellite geometry, baseline length and multipath effects.

²GPS-only.

³Requires a TerraStar subscription which is available direct from NovAtel www.novatel.com/products/novatel-correct-ppp.

⁴Performance dependent on local observing conditions.

⁵Although hardware capable, GLONASS L5 is currently not available.

⁶Although hardware capable, Galileo E6 is currently not available.

⁷Although hardware capable, IRNSS L5 is currently not available.

⁸Currently the receiver can track up to 3 L-Band channels.

Signal Reacquisition	<0.5 s L1 (typical) <1.0 s L2 and L5 (typical)				
Data Rates	Measurements	up to 100 Hz			
	Position	up to 100 Hz			
Time Accuracy ¹	20 ns RMS				
Velocity Accuracy	<0.03 m/s RMS				
Measurement Precision		GPS		GLO	
		Code	Carrier	Code	Carrier
	L1 C/A	4 cm	0.5 mm	8 cm	1.0 mm
	L2 P(Y) ²	8 cm	1.0 mm	8 cm	1.0 mm
	L2 C ³	8 cm	0.5 mm	8 cm	1.0 mm
	L5	3 cm	0.5 mm	-	-
Velocity Limit	515 m/s ⁴				

¹Time accuracy does not include biases due to RF or antenna delay.

²L2 P for GLONASS.

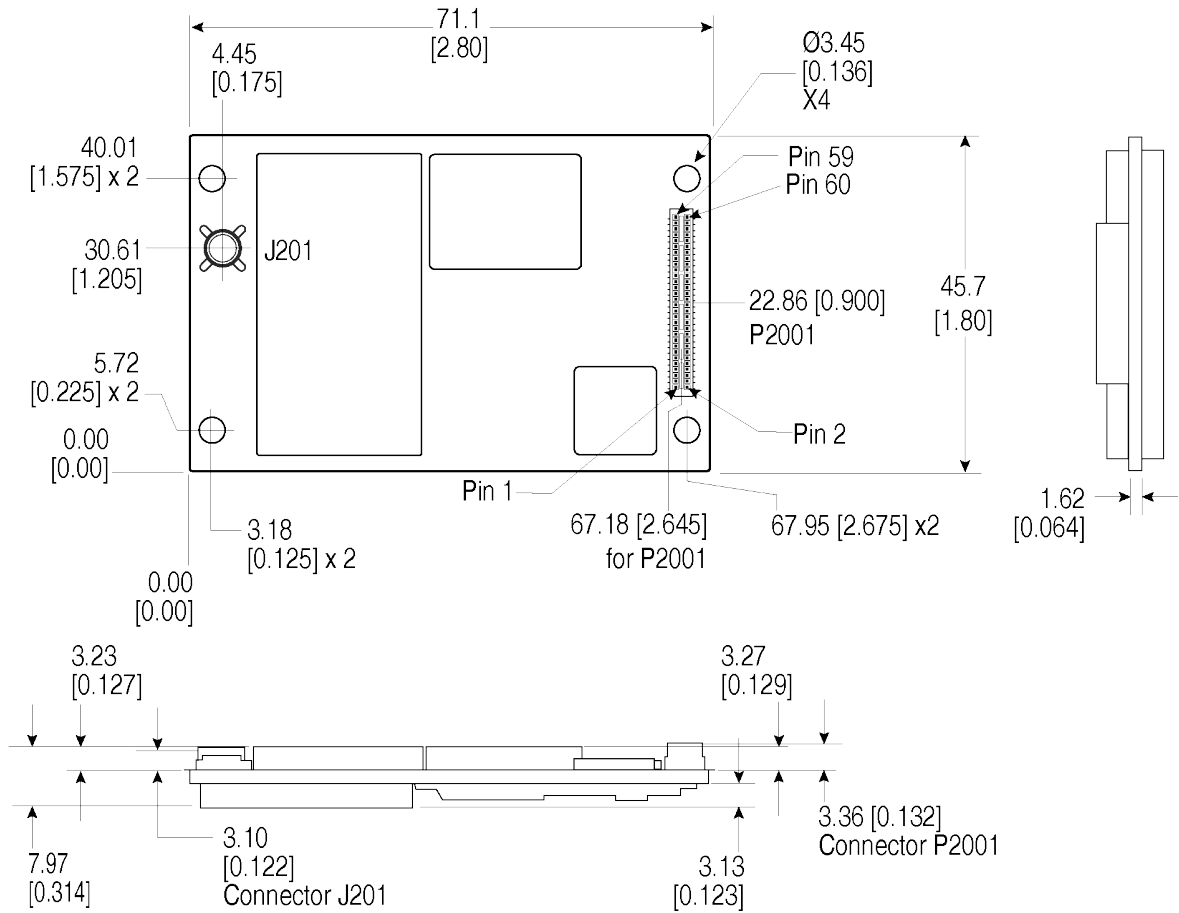
³L2 C/A for GLONASS.

⁴Export licensing restricts operation to a maximum of 515 metres per second, message output impacted above 500 m/s.

C.2 OEM7700 Mechanical Specifications

- Figure 49: OEM7700 Dimensions below
- Figure 50: OEM7700 Keep-outs on the next page
- Figure 51: OEM7700 Mounting Surfaces on page 155

Figure 49: OEM7700 Dimensions



Notes: OEM7700

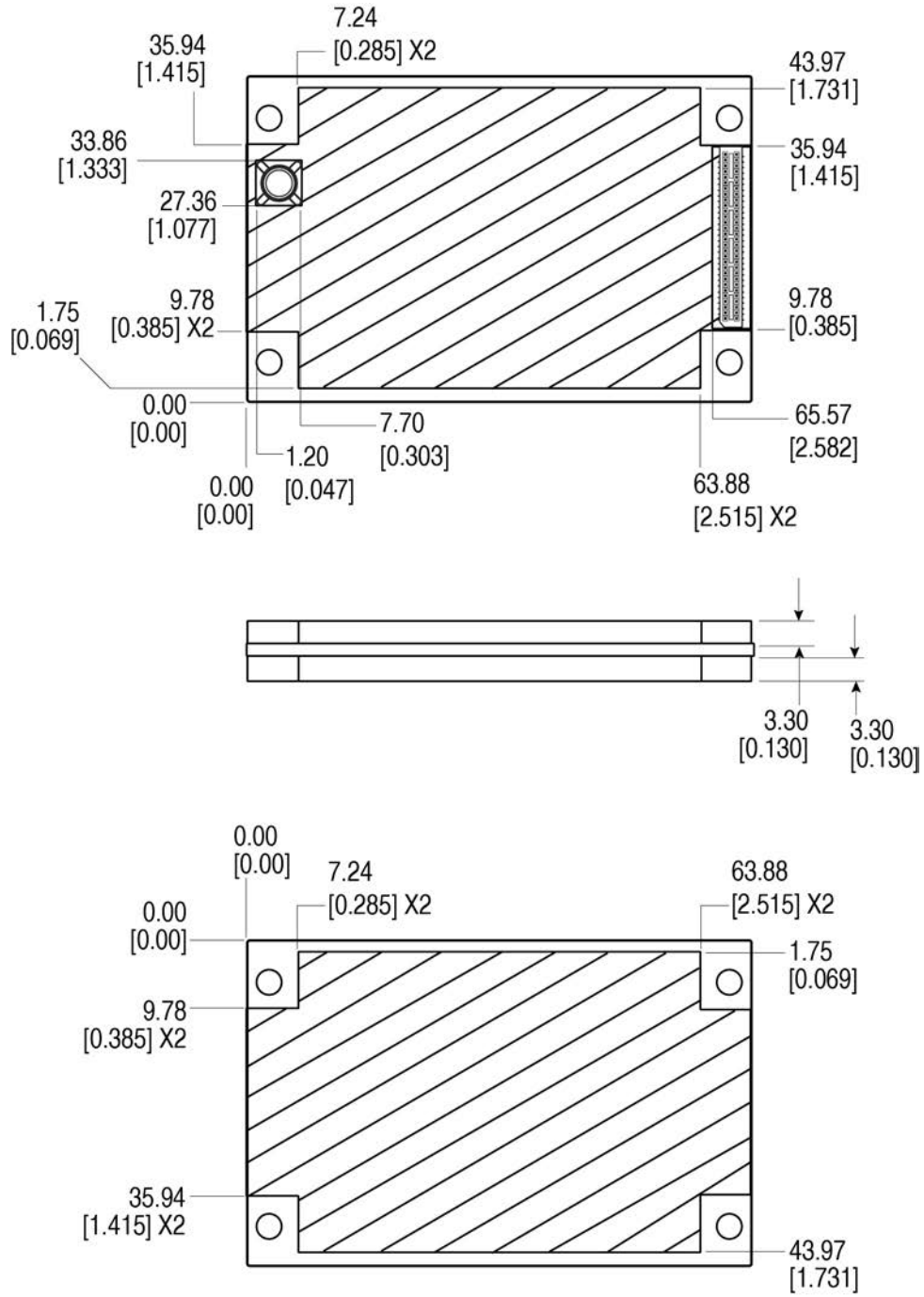
Dimensions are in millimetres [inches].

Connectors:

(a) J201 Huber + Shuhner 82_MMBX-S50-0-1/111 NE or 82_MMBX-0-1/111 NH or 82_MMBX-S50-0-1/111 NM

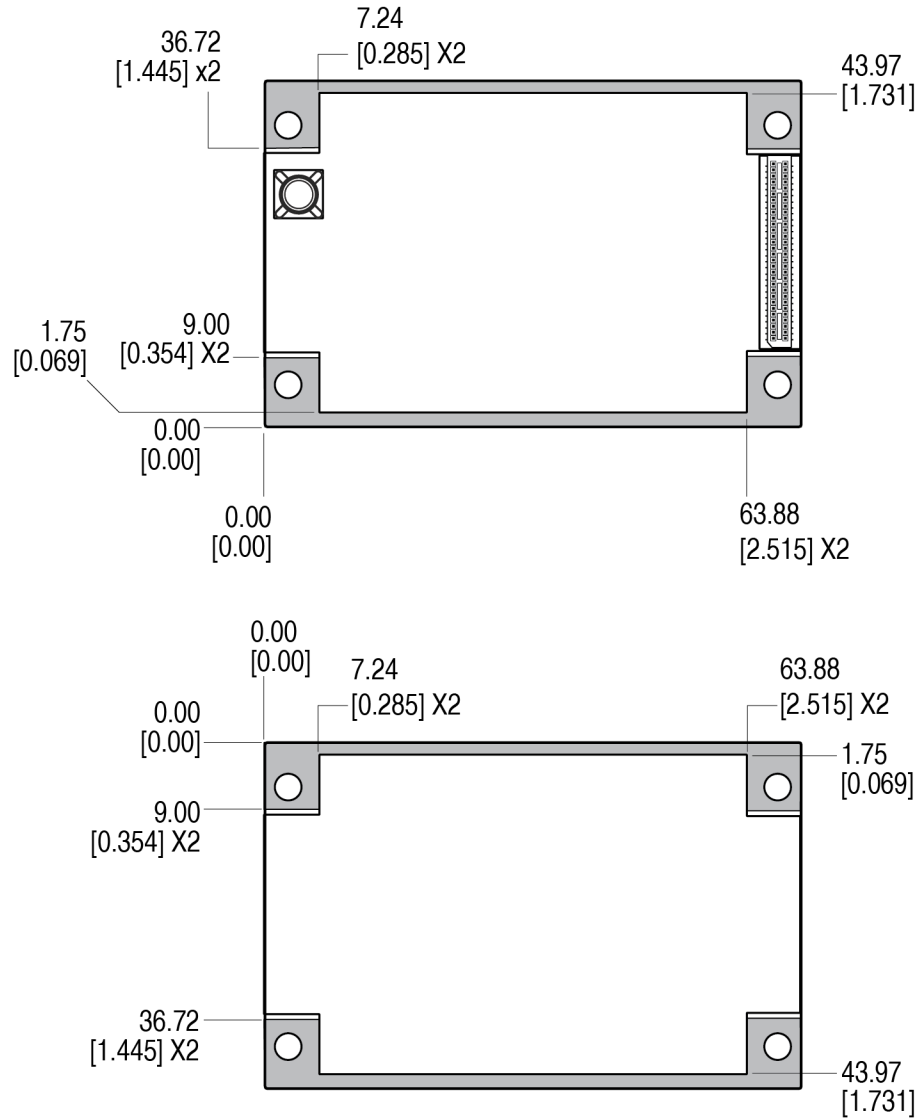
(b) P2001 Samtec ASP-189258-01

Figure 50: OEM7700 Keep-outs



Dimensions are in millimetres [inches].

Figure 51: OEM7700 Mounting Surfaces



Dimensions are in millimetres [inches].

The mounting surfaces are shown in gray.

These mounting surfaces are designed to work with mounting rails.




Assembly tolerances must be considered when using mounting rail features.

C.3 OEM7700 Electrical and Environmental Specifications

Table 32: OEM7700 Environmental Specifications

Operating Temperature	-40°C to +85°C
Storage Temperature	-55°C to +95°C
Humidity	95% non-condensing
Random Vibration	MIL-STD 810G, Method 514.7, Category 24 (20 g RMS) ¹
Sinusoidal Vibration	IEC 60068-2-6
Bump	ISO 9022-31-06 (25 g)
Shock	
Operating	MIL-STD-810G (40 g)
Non-operating	MIL-STD-810G, Method 516.7 (40 g)
Acceleration	MIL-STD-810G, Method 513.7 (16 g)

Table 33: OEM7700 Power Requirements

Voltage	+3.3 VDC \pm 5%
Allowable Input Voltage Ripple	100 mV p-p maximum
Power Consumption	<p>0.9 W typical, GPS L1 only 1.3 W typical, GPS L1/L2, GLONASS L1/L2 1.8 W typical, all constellations, all frequencies, plus L-Band</p> <div style="border: 1px solid black; padding: 5px; margin-top: 10px;">  <p>These are typical values using serial ports without interference mitigation. These values can change with the number of satellites in view, firmware version, data logging rates and features in use. Use them as a guide for what you might expect but not as absolute values</p> </div>
In-Rush Power Consumption	2.0 A for less than 1.8 ms (typical)

¹Requires mechanical mounting rails to meet 20 g; meets 7.7 g without rails.

Table 34: OEM7700 RF Input/LNA Power Output

Antenna Connector	MMBX female, 50 Ω nominal impedance			
Cascaded antenna LNA gain	15 dB minimum, 26 dB to 30 dB typical (before receiver)			
RF Input Frequencies	GPS L1:	1575.42 MHz	GLONASS L1:	1593-1610 MHz
	GPS L2:	1227.60 MHz	GLONASS L2:	1237-1254 MHz
	GPS L5:	1176.45 MHz	GLONASS L3:	1202.025 MHz
	BeiDou B1:	1561.098 MHz	Galileo E1:	1575.42 MHz
	BeiDou B2:	1207.14 MHz	Galileo E5a:	1176.45 MHz
	BeiDou B3:	1268.52 MHz	Galileo E5b:	1207.14 MHz
	L-Band:	1525 to 1560 MHz	Galileo E5:	1191.795 MHz
LNA Power	+5.0 VDC ±5%, 0 mA to 200 mA (supplied by card through center conductor of RF connector). LNA Power is generated from the 3.3 V supply input for the OEM7700.			

C.4 OEM7700 Data Communication Specifications

Table 35: Data Communications Interface

COM1	
Electrical format	LVC MOS
Data rates ¹	2400, 4800, 9600 (default), 19200, 38400, 57600, 115200, 230400 or 460800 bit/s.
Signals supported	COM1_Tx, COM1_Rx, COM1_RTS, COM1_CTS
Electrostatic discharge protection	No
COM2	
Electrical format	LVC MOS
Data rates ¹	2400, 4800, 9600 (default), 19200, 38400, 57600, 115200, 230400 or 460800 bit/s.
Signals supported	COM2_Tx, COM2_Rx, COM2_RTS, COM2_CTS
Electrostatic discharge protection	No
COM3	
Electrical format	LVC MOS
Data rates ¹	2400, 4800, 9600 (default), 19200, 38400, 57600, 115200, 230400 or 460800 bit/s.
Signals supported	COM3_Tx, COM3_Rx
Electrostatic discharge protection	No
COM4	
Electrical format	LVC MOS
Data rates ¹	2400, 4800, 9600 (default), 19200, 38400, 57600, 115200, 230400 or 460800 bit/s.
Signals supported	COM4_Tx, COM4_Rx
Electrostatic discharge protection	No

¹Data rates higher than 115200 bit/s are not supported by standard PC hardware. Special PC hardware may be required for higher rates, including 230400 bit/s and 460800 bit/s.

COM5	
Electrical format	LVC MOS ¹
Data rates ¹	2400, 4800, 9600 (default), 19200, 38400, 57600, 115200, 230400 or 460800 bit/s.
Signals supported	COM5_Tx, COM5_Rx
Electrostatic discharge protection	No
CAN Bus	
Electrical Format	LVC MOS
Data rates	1 Mbps maximum. CAN Bus throughput is determined by slowest device on the bus
Signals supported	CAN0 and CAN1
USB	
Electrical format	Conforms to USB 2.0
Data rates	Hi-speed (480 Mb/s) and Full-speed (12 Mb/s) ²
Signals supported	USB0 D+, USB0 D- USB1 D+, USB1 D-
ETHERNET	
Physical layer	10BASE-T/100BASE-TX

¹Upon power-up, COM5 is enabled by default. COM5 is multiplexed with COM2 hardware flow control.

²USB data rate defaults to Full-speed (12 Mb/s). The data rate can be changed to Hi-speed (480 Mb/s) using the USBCONFIG command.

C.5 OEM7700 Strobe Specifications

Table 36: OEM7700 Strobes Description

Strobes	Input/Output	Factory Default	Comment
ERROR	Output	Active high	Normally low. A high output on this pin indicates that the receiver is in an error state. For information about the cause of the error, log the RXSTATUS log.
EVENT_IN1 EVENT_IN2 EVENT_IN3 EVENT_IN4	Input Leading edge triggered	Active low	Input marks for which a pulse greater than 150 ns triggers certain logs to be generated. (Refer to the MARKPOS and MARKTIME logs and ONMARK trigger.) Polarity is configurable using the MARKCONTROL command.
EVENT_OUT1 EVENT_OUT2 EVENT_OUT3 EVENT_OUT4	Output	Active low	Programmable variable frequency outputs ranging from 0 Hz to 50 MHz (refer to the EVENTOUTCONTROL command). Note: EVENT_OUT1 can also be controlled by the FREQUENCYOUT command.
POS_Valid (Position Valid)	Output	Active high	Indicates a valid GNSS position solution is available.
nRESET_IN	Input	Active low	Reset signal input from external system; active low, 50 ms duration. Hold the nRESET_IN pin low for >150 ms after power is applied
PPS	Output	Active low	A time synchronization output. This is a pulse where the leading edge is synchronized to receiver calculated GNSS Time. The polarity, period and pulse width can be configured using the PPSCONTROL command

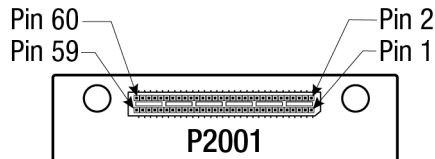
Table 37: OEM7700 Strobe Electrical Specifications

Strobe	Sym	Min (V)	Max (V)	Current (mA)
ERROR	V_{OL}		0.2	8
	V_{OH}	3.1		

Strobe	Sym	Min (V)	Max (V)	Current (mA)
EVENT_IN1 (Mark) EVENT_IN2 (Mark2) EVENT_IN3 (Mark3) EVENT_IN4 (Mark4)	V _{IL}		0.8	-
	V _{IH}	1.7		
EVENT_OUT1 EVENT_OUT2 EVENT_OUT3 EVENT_OUT4	V _{OL}		0.2	8
	V _{OH}	3.1		
POS_VALID	V _{OL}		0.55	8
	V _{OH}	2.3		
nRESET_IN	V _{IL}		0.8	-
	V _{IH}	2.55		
PPS	V _{OL}		0.55	24
	V _{OH}	2.3		

C.6 OEM7700 Interface Connector

C.6.1 P2001 Main Connector 60-Pin Socket



Pin	Signal Name	Signal Type	Signal Direction	V _{IL} Max (V)	V _{IH} Min (V)	V _{OL} Max (V)	V _{OH} Min (V)	Drive (mA)	Description
1	3V3	Power	Input	-	-	-	-	-	3.3 V ±5% supply input
2	3V3	Power	Input	-	-	-	-	-	3.3 V ±5% supply input
3	COM2_ TXD	3.3V CMOS	Output	-	-	0.2	3.1	4	COM2 Transmit Data (UART) For SPAN applications, this pin can be configured to output a timing signal periodically (generally 1PPS).
4	COM1_ TXD	3.3V CMOS	Output	-	-	0.55	2.3	24	COM1 Transmit Data (UART) For SPAN applications, this pin can be configured to output a timing signal periodically (generally 1PPS).

Pin	Signal Name	Signal Type	Signal Direction	V _{IL} Max (V)	V _{IH} Min (V)	V _{OL} Max (V)	V _{OH} Min (V)	Drive (mA)	Description
5	COM5_TXD/ COM2_RTS	3.3V CMOS	Output	-	-	0.2	3.1	4	This pin is internally multiplexed. COM5_TXD is the default. COM5_TXD: COM5 Transmit Data (UART). COM2_RTS: COM2 Request to Send Optional hardware flow control signal for the COM2 serial port.
6	COM1_RTS	3.3V CMOS	Output	-	-	0.2	3.1	4	COM1 Request to Send Optional hardware flow control signal for the COM1 serial port.
7	GND	Ground	-	-	-	-	-	-	Ground reference
8	GND	Ground	-	-	-	-	-	-	Ground reference
9	COM2_RXD	3.3V CMOS	Input	0.8	1.7	-	-	-	COM2 Receive Data (UART)
10	COM1_RXD	3.3V CMOS	Input	0.8	1.7	-	-	-	COM1 Receive Data (UART)
11	COM5_RXD/ COM2_CTS	3.3V CMOS	Input	0.8	1.7	-	-	-	This pin is internally multiplexed. COM5_RXD is the default. COM5_RXD: COM5 Receive Data (UART). COM2_CTS: COM2 Clear to Send Optional hardware flow control signal for the COM2 serial port.
12	COM1_CTS	3.3V CMOS	Input	0.8	1.7	-	-	-	COM1 Clear To Send Optional hardware flow control signals for the COM1 serial port.

Pin	Signal Name	Signal Type	Signal Direction	V _{IL} Max (V)	V _{IH} Min (V)	V _{OL} Max (V)	V _{OH} Min (V)	Drive (mA)	Description
13	COM4_RXD	3.3V CMOS	Input	0.8	1.7	-	-	-	COM4 Receive Data (UART)
14	COM3_RXD	3.3V CMOS	Input	0.8	1.7	-	-	-	COM3 Receive Data (UART)
15	STATUS_GREEN	3.3V CMOS	Output	-	-	0.2	3.1	4	Green Status LED Control (Active High) Used to indicate the state of the receiver or provide error codes
16	STATUS_RED	3.3V CMOS	Output	-	-	0.2	3.1	4	Red Status LED Control (Active High) Used to indicate the state of the receiver or provide error codes
17	EVENT_OUT1	3.3V CMOS	Output	-	-	0.2	3.1	8	EVENT1 (Mark1) Output Rising edge triggered. Outputs a user-specified timing signal. Can be synchronized with PPS. Supports Variable Frequency Output function.

Pin	Signal Name	Signal Type	Signal Direction	V _{IL} Max (V)	V _{IH} Min (V)	V _{OL} Max (V)	V _{OH} Min (V)	Drive (mA)	Description
18	ME_RDY	3.3V CMOS	Output	-	-	0.2	3.1	4	Receiver Ready (Active High) Indicates to the host system that the receiver is ready to receive commands. This signal is not asserted while booting or during a reset. ¹ Internal 2.2 kΩ pull down.
19	COM4_TXD	3.3V CMOS	Output	-	-	0.2	3.1	4	COM4 Transmit Data (UART)
20	COM3_TXD	3.3V CMOS	Output	-	-	0.2	3.1	4	COM3 Transmit Data (UART)
21	ERROR	3.3V CMOS	Output	-	-	0.2	3.1	4	Error Indicator (Active High) Normally low. A high output on this pin indicates that the receiver is in an error state. ¹ Internal 2.2 kΩ pull down.

¹The ME_RDY signal is asserted when the receiver is ready to receive commands. If an error is detected during receiver operation (for example, an over temperature condition), the ERROR signal is asserted and the ME_RDY signal will normally remain asserted: commands can still be sent to the receiver under these conditions. At the time ERROR is asserted, POS_VALID signal is changed to not asserted.

In the rare case of a fatal, unrecoverable error that leads to a reboot of the receiver, ME_RDY, ERROR and POS_VALID are all not asserted while the receiver restarts.

Pin	Signal Name	Signal Type	Signal Direction	V _{IL} Max (V)	V _{IH} Min (V)	V _{OL} Max (V)	V _{OH} Min (V)	Drive (mA)	Description
22	POS_VALID	3.3V CMOS	Output	-	-	0.2	3.1	4	Position Valid Output (Active High) A high output on this pin indicates that the receiver has computed a valid GNSS position. ¹ Internal 10 kΩ pull down.
23	EVENT_OUT3	3.3V CMOS	Output	-	-	0.2	3.1	8	EVENT3 (Mark3) Output Rising edge triggered. Outputs a user-specified timing signal. Can be synchronized with PPS. Supports Variable Frequency Output function.
24	PPS	3.3V CMOS	Output	-	-	0.55	2.3	24	Pulse Per Second output This signal defaults to one pulse per second but may be altered across a wide range of frequencies using software commands. Edges can be synchronized to GNSS time reference.
25	EVENT_OUT4	3.3V CMOS	Output	-	-	0.2	3.1	8	EVENT4 (Mark4) Output Rising edge triggered. Outputs a user-specified timing signal. Can be synchronized with PPS. Supports Variable Frequency Output function.

Pin	Signal Name	Signal Type	Signal Direction	V _{IL} Max (V)	V _{IH} Min (V)	V _{OL} Max (V)	V _{OH} Min (V)	Drive (mA)	Description
26	EVENT_OUT2	3.3V CMOS	Output	-	-	0.2	3.1	8	EVENT2 (Mark2) Output Rising edge triggered. Outputs a user-specified timing signal. Can be synchronized with PPS. Supports Variable Frequency Output function.
27	GND	Ground	-	-	-	-	-	-	Ground reference
28	GND	Ground	-	-	-	-	-	-	Ground reference
29	EVENT_IN2	3.3V CMOS	Input	0.8	1.7	-	-	-	EVENT2 (Mark2) input Rising or falling edge triggered. This input is used to provide a position or time data log based on an external trigger. Internal 10 kΩ pull up.
30	EVENT_IN1	3.3V CMOS	Input	0.8	1.7	-	-	-	EVENT1 (Mark1) input Rising or falling edge triggered. This input is used to provide a position or time data log based on an external trigger. Internal 10 kΩ pull up.
31	EVENT_IN4	3.3V CMOS	Input	0.8	1.7	-	-	-	EVENT4 (Mark4) input Rising or falling edge triggered. This input is used to provide a position or time data log based on an external trigger. Internal 10 kΩ pull up.

Pin	Signal Name	Signal Type	Signal Direction	V _{IL} Max (V)	V _{IH} Min (V)	V _{OL} Max (V)	V _{OH} Min (V)	Drive (mA)	Description
32	EVENT_IN3	3.3V CMOS	Input	0.8	1.7	-	-	-	EVENT3 (Mark3) input Rising or falling edge triggered. This input is used to provide a position or time data log based on an external trigger. Internal 10 kΩ pull up.
33	GND	Ground	-	-	-	-	-	-	Ground reference
34	GND	Ground	-	-	-	-	-	-	Ground reference
35	CAN1_RXD	3.3V CMOS	Input	0.8	1.7	-	-	-	CAN1 Receive Data This is a CMOS-level signal, requiring an external CAN transceiver.
36	CAN0_TXD	3.3V CMOS	Output	-	-	0.2	3.1	4	CAN0 Transmit Data This is a CMOS-level signal, requiring an external CAN transceiver.
37	CAN1_TXD	3.3V CMOS	Output	-	-	0.2	3.1	4	CAN1 Transmit Data This is a CMOS-level signal, requiring an external CAN transceiver.
38	CAN0_RXD	3.3V CMOS	Input	0.8	1.7	-	-	-	CAN0 Receive Data This is a CMOS-level signal, requiring an external CAN transceiver.
39	Reserved	-	-	-	-	-	-	-	Reserved for future use
40	Reserved	-	-	-	-	-	-	-	Reserved for future use
41	SPI_MOSI	3.3V CMOS	Output	-	-	0.2	3.1	4	Serial Peripheral Interface Master Output/Slave Input

Pin	Signal Name	Signal Type	Signal Direction	V _{IL} Max (V)	V _{IH} Min (V)	V _{OL} Max (V)	V _{OH} Min (V)	Drive (mA)	Description
42	SPI_nCS	3.3V CMOS	Output	-	-	0.2	3.1	4	Serial Peripheral Interface Chip Select (Active Low)
43	SPI_MISO	3.3V CMOS	Input	0.8	1.7	-	-	-	Serial Peripheral Interface Master Input/Slave Output
44	SPI_SCLK	3.3V CMOS	Output	-	-	0.2	3.1	4	Serial Peripheral Interface Serial Clock
45	GND	Ground	-	-	-	-	-	-	Ground reference
46	GND	Ground	-	-	-	-	-	-	Ground reference
47	USB1_D-	Analog	I/O	-	-	-	-	-	USB1 signal. This is one half of the USB1 differential pair. USB1_D+ and USB1_D- must be length-matched and routed as a 90 Ω differential pair.
48	USB0_D+	Analog	I/O	-	-	-	-	-	USB0 signal. This is one half of the USB0 differential pair. USB0_D+ and USB0_D- must be length-matched and routed as a 90 Ω differential pair.
49	USB1_D+	Analog	I/O	-	-	-	-	-	USB1 signal. This is one half of the USB1 differential pair. USB1_D+ and USB1_D- must be length-matched and routed as a 90 Ω differential pair.

Pin	Signal Name	Signal Type	Signal Direction	V _{IL} Max (V)	V _{IH} Min (V)	V _{OL} Max (V)	V _{OH} Min (V)	Drive (mA)	Description
50	USB0_D-	Analog	I/O						USB0 signal. This is one half of the USB0 differential pair. USB0_D+ and USB0_D- must be length-matched and routed as a 90 Ω differential pair.
51	USB_Port_Mode_Select	3.3V CMOS	Input	-	-	-	-	-	USB Port Mode Select. Leave this pin floating to put USB0 into Device mode and USB1 into Host mode. Tie this pin to GND to put USB0 into Host mode and USB1 into Device mode. Internal 10 kΩ pull up
52	USB0_VBUS	Power	Output	-	-	-	-	-	5V output for hosted devices USB0_VBUS is capable of providing up to 200 mA to a hosted USB device. Devices that require more than 200 mA must be powered separately.
53	nRESET_IN	3.3V CMOS	Input	0.8	2.55	-	-	-	Reset Input (Active Low) Resets the receiver card when low. This pin must be held low for a minimum of 100 microseconds to guarantee operation. Internal 10 kΩ pullup.
54	GND	Ground	-	-	-	-	-	-	Ground reference

Pin	Signal Name	Signal Type	Signal Direction	V _{IL} Max (V)	V _{IH} Min (V)	V _{OL} Max (V)	V _{OH} Min (V)	Drive (mA)	Description
55	ETH_LINK_ACT	3.3V CMOS	Output	-	-	0.2	3.1	8	<p>Ethernet Link and Activity LED indicator.</p> <p>Polarity of the indicator signal is low. When there is an active link, the pin is low. When there is activity on the link, the pin outputs a blink signal.</p> <p>Caution: Do not use ETH_BIAS to supply the LED.</p>
56	ETH_BIAS	Power	Output	-	-	-	-	-	<p>DC Bias source for the Ethernet magnetics.</p> <p>Do not use ETH_BIAS to supply any other circuitry.</p>
57	ETH_RX+	Analog	Input	-	-	-	-	-	<p>Ethernet Receive</p> <p>One half of the Ethernet receive differential pair. ETH_RX+ and ETH_RX- must be routed as a 100 Ω differential pair.</p>
58	ETH_TX+	Analog	Output	-	-	-	-	-	<p>Ethernet Transmit</p> <p>One half of the Ethernet transmit differential pair. ETH_TX+ and ETH_TX- must be routed as a 100 Ω differential pair.</p>
59	ETH_RX-	Analog	Input	-	-	-	-	-	<p>Ethernet Receive</p> <p>One half of the Ethernet receive differential pair. ETH_RX+ and ETH_RX- must be routed as a 100 Ω differential pair.</p>

Pin	Signal Name	Signal Type	Signal Direction	V _{IL} Max (V)	V _{IH} Min (V)	V _{OL} Max (V)	V _{OH} Min (V)	Drive (mA)	Description
60	ETH_TX-	Analog	Output	-	-	-	-	-	Ethernet Transmit One half of the Ethernet transmit differential pair. ETH_TX+ and ETH_TX- must be routed as a 100 Ω differential pair.

Receiver Card Interface Examples

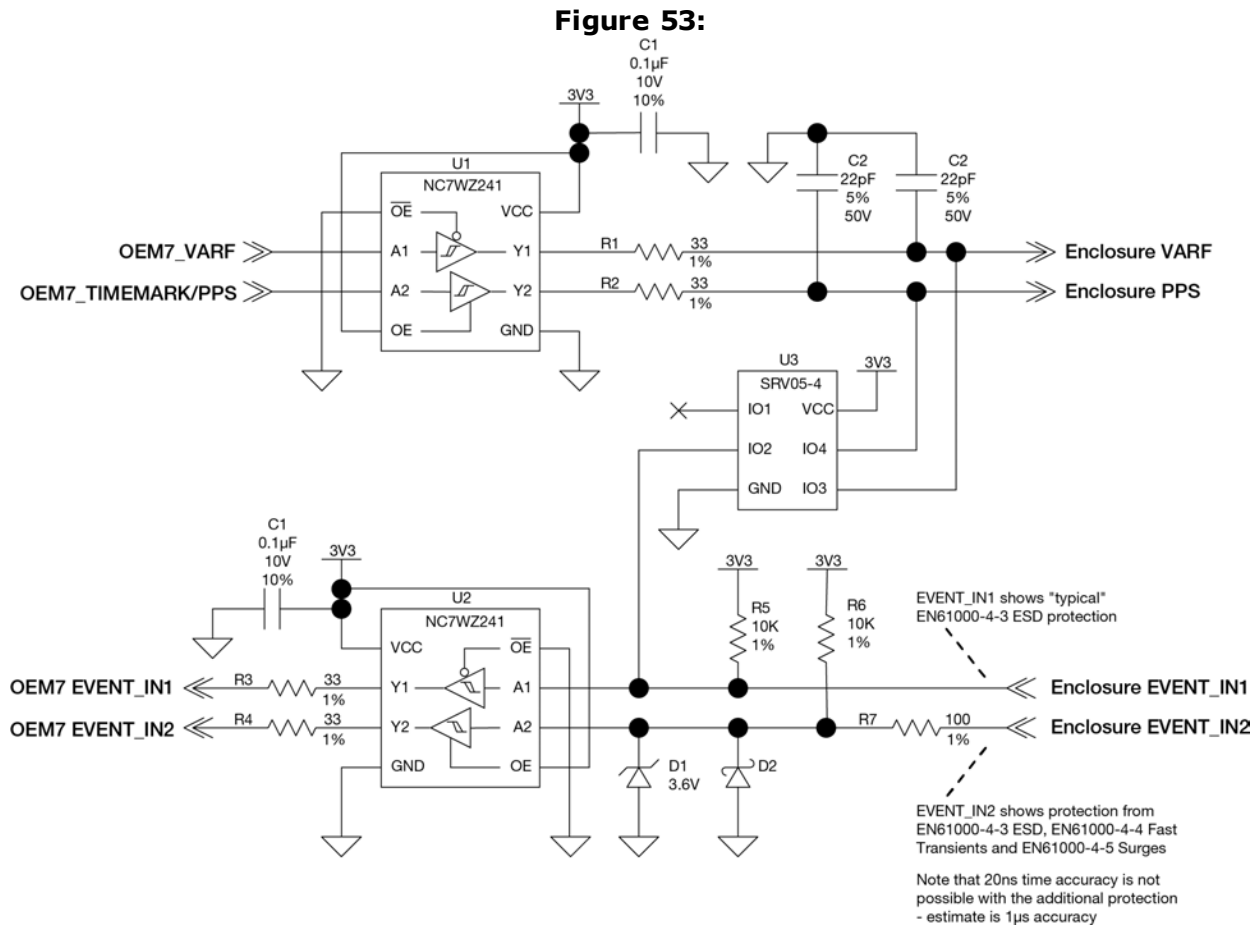
The OEM7 receiver cards provide a number of 3.3V CMOS-level I/O pins for status indication and timing:

- **COMx**: CMOS-level UART ports
- **Ethernet**: 10/100 Ethernet port
- **CAN1** and **CAN2**: CMOS-level CAN ports (external CAN transceivers required)
- **PPS**: Output pulse providing time reference signal (software configurable output rate, defaults to 1 Pulse Per Second)
- **EVENTx_OUT**: Variable Frequency output (a software-configurable clock output similar to PPS, off by default). (The EVENT1_OUT signal may also be referred to as an VARF.)
- **PV**: Position Valid (This signal drives high when the receiver has calculated a valid position)
- **EVENTx_IN**: Event inputs (with configurable polarity)
- **USERIO**: A user defined general purpose input or output (OEM729 only)

These I/O require additional ESD protection if they are to be routed to enclosure connectors. A protection circuit similar to the following examples must be used on any OEM7 CMOS-level signals that will be routed to an enclosure connector. The ferrite bead and small-value capacitor provide some immunity to electrostatic discharge events, but also serve to reduce radiated and conducted emissions from the enclosure.

C.1 EVENT_IN, EVENT_OUT and PPS Signal Protection

The following schematic shows appropriate signal conditioning for EVENT_IN (MKI), EVENT_OUT (VARF) and PPS (TIMEMARK) signals.

Figure 52: Protection and Buffering for EVENT_IN, PPS and EVENT_OUT signals

The buffers (U1, U2) are chosen to provide additional drive strength for long cables. The series terminations (R1, R2, R3, R4) are present to allow for signal integrity adjustments (to reduce overshoot/undershoot, etc.). The passive component values may require tuning, depending on the application.

The TVS (U3) provides protection from ESD/EFT events and some induced power line surges. There are two implementations shown for the EVENT_IN signals. EVENT_IN1 is shown with basic ESD/EFT protection, while EVENT_IN2 is shown with additional surge protection for harsh environments (see D1, R7, D2, D3 and R9). If the additional surge protection is to be used on a design, the buffer must be included as well. This design has been used to protect EVENT_IN signals from EN61000-4-5 induced surges up to 2kV on several NovAtel enclosure products. If nano-second-level timing is critical to the application, this protection circuit may be unsuitable, as it causes a timing shift of a few microseconds to the EVENT signal (heavily dependent on temperature).

The 10 kΩ pullups (R5, R6) are required if the buffers are used on the EVENT_IN lines. If the buffers are not used, the OEM7 cards have built-in 10 kΩ pullup resistors – external pull resistors are not required.

Table 38: EVENT_IN, EVENT_OUT and PPS Pin Designation

	OEM719	OEM729	OEM7700
Connector	P1701	P1802	P2001
EVENT_IN1	9 ¹	8	30
EVENT_IN2	7 ¹	7 ²	29
EVENT_IN3	-	-	32
EVENT_IN4	-	-	31
PPS/TIMEMARK	19	4	24
EVENT_OUT1/VARF	6 ¹	3	17
EVENT_OUT2	-	-	26
EVENT_OUT3	-	-	23
EVENT_OUT4	-	-	25

Table 39: Bill of Materials (critical components)

Designator	Manufacturer	Manufacturer Part Number
D1	On Semiconductor	MMSZ5227BT1G
D2	Comchip Technology	CDBU00340
U1, U2	Fairchild Semiconductor	NC7WZ241L8X
U3	Semtech	SRV05-4A.TCT

C.2 Position Valid (PV) LED Driver

The PV signal may be used to indicate that the receiver card has computed a valid position. Many NovAtel enclosure products use it to drive a green LED on the enclosure. It may also be used to monitor the status of the receiver with an external microcontroller.

If the LED requires less than 6 mA to drive, and can be operated from a 3.3 V supply, the PV pin may be used to drive the LED directly (with an appropriate current-limiting resistor). If the LED must be driven from a different supply voltage or requires more than 6 mA, a buffer must be used.

A simple buffer – suitable for driving a high-brightness LED from a 5 V supply – is shown below. The value for R2 was selected to limit the LED current to 10 mA (assuming $V_{CE(Q1,sat)}=0.25\text{ V}$,

¹These pins are multiplexed with other signals and may not be available when certain features are enabled. See *P1701 Main Connector 20-Pin Header* on page 126 for more information.

²This pin is multiplexed with another signal and may not be available when certain features are enabled. See *P1802 Main Connector 24-Pin Header* on page 142 for more information.

$V_{FWD(D1)}=3.4\text{ V}$). This circuit will not compensate for the forward voltage change over temperature (and the resulting brightness changes).

Figure 54: OEM7 Buffer for Driving High-Brightness LEDs from PV

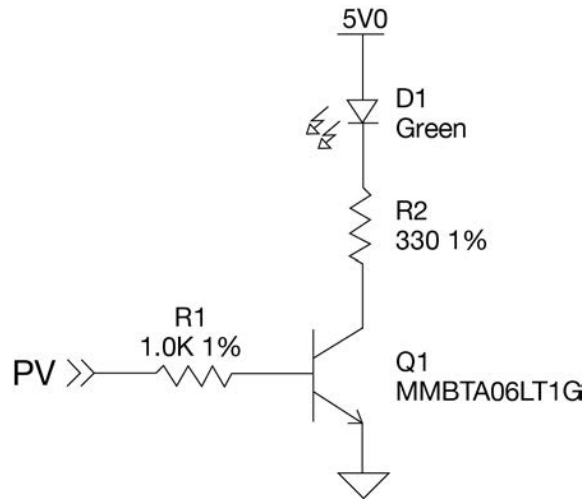


Table 40: PV Pin Designation

	OEM719	OEM729	OEM7700
Connector	P1701	P1802	P2001
PV	17	10	22

Table 41: PV LED Driver Bill of Materials (critical components)

Designator	Manufacturer	Manufacturer Part Number
Q1	ON Semiconductor	MMBTA06LT3G
	Fairchild Semiconductor	MMBTA06LT1G
	Diodes Inc	MMBTA06-7-F
D1	OSRAM	LT L29S-N1R2-25-Z

C.3 Communication Ports

The COM ports on OEM7 receivers (except COM1 on the OEM729) are CMOS-level I/O pins only. These ports require the addition of an RS232 or RS422 transceiver to provide appropriate signal levels. Most RS232 or RS422 transceivers will provide some ESD protection (for harsh environments, additional protection may be required).



COM1 on the OEM729 uses RS-232 protocol by default. This port can be changed to RS-422 protocol using the **SERIALPROTOCOL** command.

A combination of a series ferrite bead and small-value shunt capacitor is recommended on any RS232/RS422 lines that leave the enclosure (similar to the arrangement used on the I/O ports and CAN interfaces). Many of the available transceivers provide protection for ESD events to $\pm 15\text{kV}$ – if additional protection is required, an external TVS with a working voltage of $\pm 15\text{V}$ to $\pm 25\text{V}$ will be required.

C.4 CAN Controller Ports

OEM7 receivers provide 3.3V CMOS-level CAN controller ports. An external CAN transceiver is required. The following figure shows a typical CAN transceiver implementation.

The combination of ferrite beads and small-value capacitors are not necessarily required but may provide improved EMI performance. A low-capacitance TVS device is shown on the schematic to provide ESD protection.

Figure 55: OEM7 CAN Transceiver Example

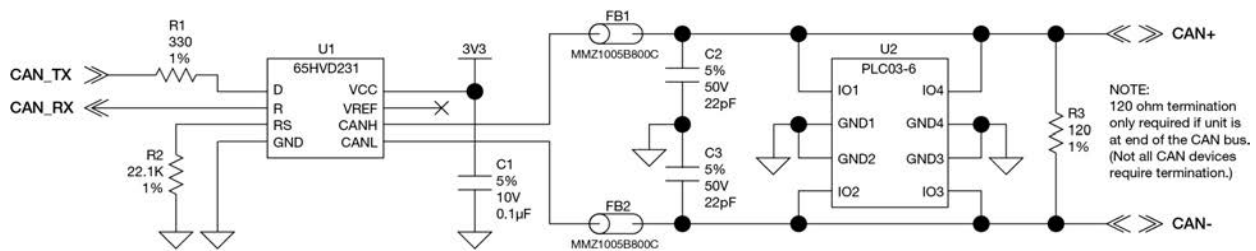


Table 42: CAN Transceiver Pin Designation

	OEM719	OEM729	OEM7700
Connector	P1701	P1803	P2001
CAN1TX	7 ¹	10	36
CAN1RX	6 ¹	11	38
CAN2TX	20	12	37
CAN2RX	8	13	35

The 120 Ω termination resistor should only be used when the CAN device is used at one end of the CAN bus. Multiple terminations along the length of the CAN bus will degrade performance for all CAN devices on that bus.

The slew rate adjustment resistor (R2) value shown sets the slew rate for applications for SAE J1939 agricultural applications. Other applications may require a different slew rate. Refer to the transceiver datasheet for more information.

¹These pins are multiplexed with other signals and may not be available when certain features are enabled. See *P1701 Main Connector 20-Pin Header* on page 126 for more information.

Table 43: CAN Transceiver Example Bill of Materials (critical components)

Designator	Manufacturer	Manufacturer Part Number
FB1, FB2	TDK	MMZ1005B800C
U1	Texas Instruments	SN65HVD231QD
U2	Bourns	CDNBS08-PLC03-6

C.5 USB Interface

OEM7 receivers include one USB 2.0 device interface capable of either Full-Speed (12Mb/s) or High-Speed (480Mb/s) transfer rates. On the OEM719 and OEM729 receivers, the default transfer rate for the USB Device port is Full-Speed (12Mb/s). The USB device interface on the OEM7700 receiver is set for a default of High-Speed (480Mb/s). The device interface will not auto-negotiate the speed with the Host computer. However, the speed of the device interface can be changed using the **USBCONFIG** command and **SAVEUSBCONFIG** command.

It is imperative for signal integrity and EMI reasons that the differential data traces be routed as a 90Ω differential pair. Use of a small-value common-mode choke (as shown in *Figure 56: OEM7 USB Device Interface Example* below) may improve the radiated emissions performance (but should not be necessary).

Any stubs on the traces must be kept as short as possible and it is strongly recommended not to change reference planes. Match the USB differential pair (D+ and D- trace lengths) to within 3mm or less.

The common-mode choke and ESD protection should be placed as close as possible to the USB connector (J1).

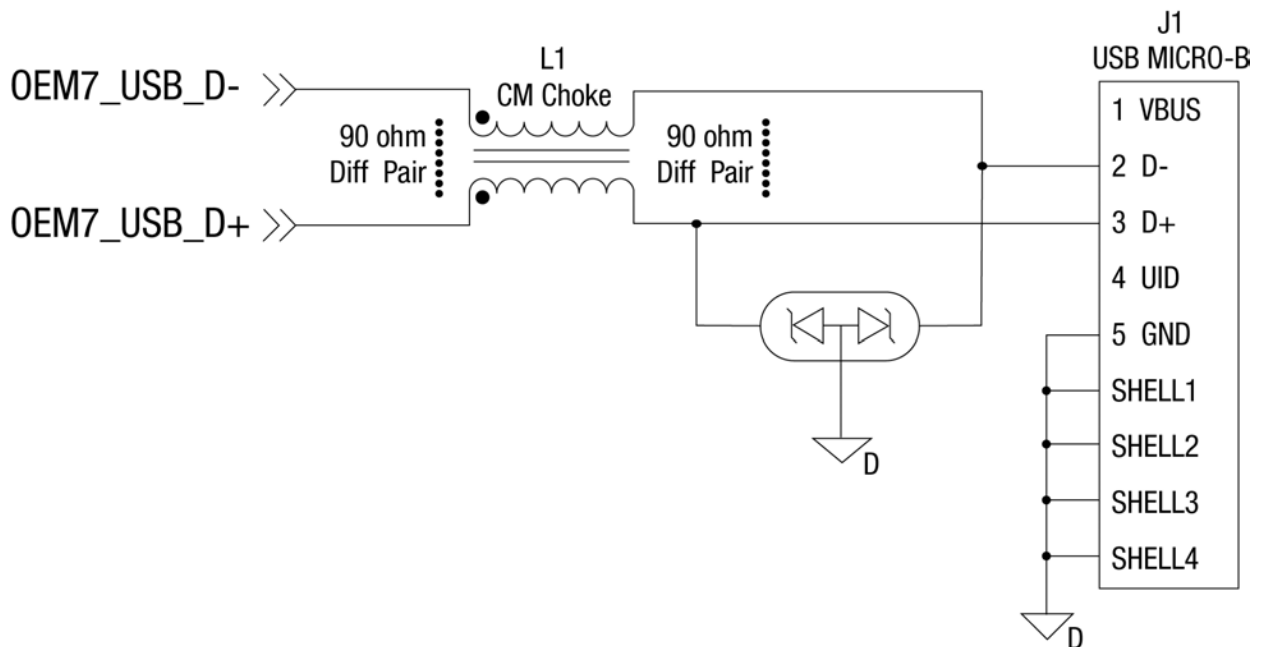
Figure 56: OEM7 USB Device Interface Example

Table 44: USB Device Interface Pin Designation

	OEM719	OEM729	OEM7700
Connector	P1701	P1802	P2001
USB0_D-	3	21	50
USB0_D+	4	22	48
USB1_D-	-	-	47
USB1_D+	-	-	49

Table 45: USB Device Interface Example Bill of Materials

Designator	Manufacturer	Manufacturer Part Number
D1	On Semiconductor	ESD7L5.0DT5G
L1	Würth Electronics	744230450
P1	FCI	10104110-0001LF

Figure 57: OEM7 USB Host Device Interface Example

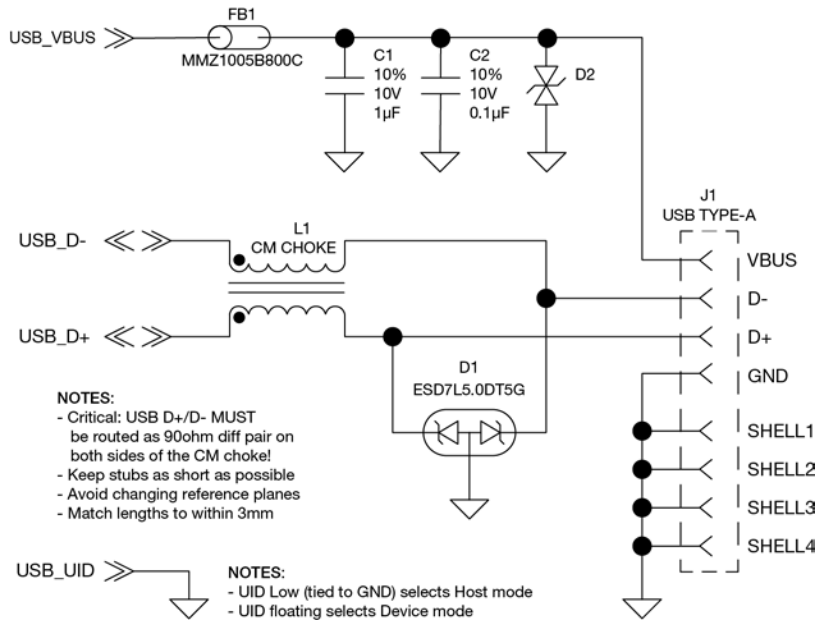


Table 46: USB Host Interface Pin Designation

	OEM719	OEM729
Connector	P1701	P1804
USB_D-	3	21
USB_D+	4 ¹	22

Table 47: USB Host Interface Example Bill of Materials

Designator	Manufacturer	Manufacturer Part Number
D1	On Semiconductor	ESD7L5.0DT5G
D2	Littelfuse	V5.5MLA0402NR
FB1	TDK	MMZ1005B800C
J1	Molex	0482040001
L1	Würth Electronics	744230450

C.6 Ethernet Port

OEM7 receivers, except the OEM719, provide a 10/100 Ethernet port with auto-negotiation. The Ethernet interface is disabled by default and must be configured. See the OEM7 Installation and Operation User Manual (OM-20000168) for instructions on Ethernet device configuration. The PHY layer is based on the Micrel KSZ8851 Ethernet controller.

PHY terminations are provided on the OEM7 receiver card and a 3.3 V output is presented to bias the Ethernet magnetics. The 3.3 V power supplied by the OEM7 receiver card is not to be used for any purposes other than biasing the Ethernet magnetics.

A reference schematic is shown in *Figure 58: Ethernet Reference Schematic* on the next page. The ferrite bead is included as an EMI de-risk contingency and may not be necessary.

¹This pin is multiplexed with another signal and may not be available when certain features are enabled. See *P1701 Main Connector 20-Pin Header* on page 126 for more information.

Figure 58: Ethernet Reference Schematic

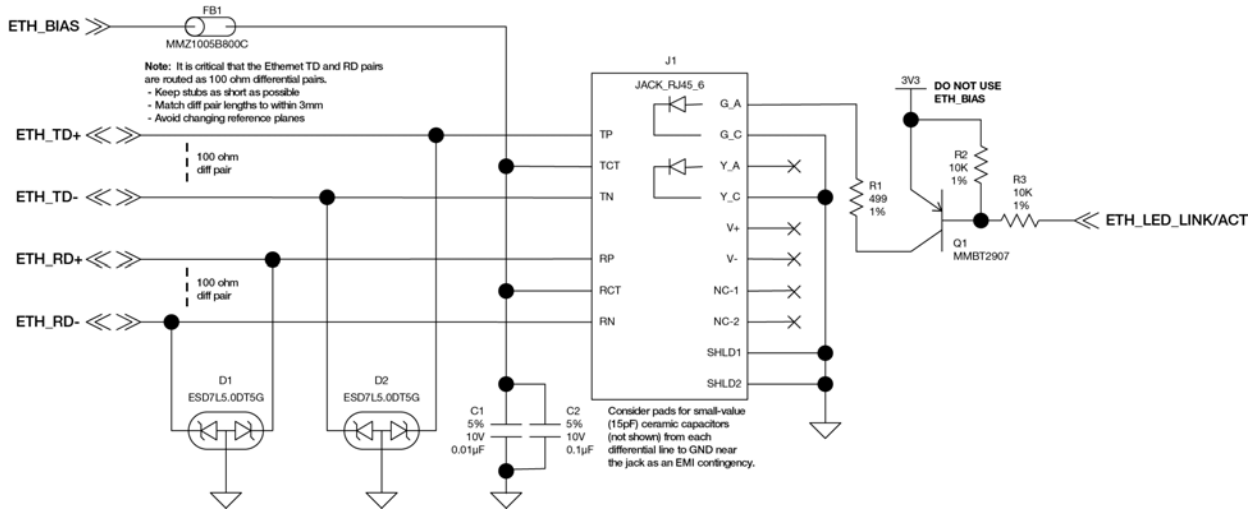


Table 48: Ethernet Pin Designation

	OEM729	OEM7700
Connector	P1803	P2001
ETH_BIAS	Receive: 3 Transmit: 6	56
ETH_TD+	4	58
ETH_TD-	5	60
ETH_RD+	2	57
ETH_RD-	1	59

Run 100 Ω differential pairs over unbroken reference planes directly to the jack. Ensure the integrated magnetics in the jack meet the specifications in *Table 49: Ethernet Transformer Characteristics* below. Ensure that the jack is no more than 15 cm (6 inches) from the OEM7 connector. Shorter runs are better.

Table 49: Ethernet Transformer Characteristics

Parameter	Value	Test Condition
Turns ratio	1 CT : 1 CT	
Open-CCT inductance (minimum)	350 μH	100 mV, 100 kHz, 8 mA
Leakage inductance (maximum)	0.4 μH	1 MHz (minimum)
Inter-winding capacitance (minimum)	12 pF	
DC resistance (maximum)	0.9 Ω	

Parameter	Value	Test Condition
Insertion loss (maximum)	1.0 dB	0 MHz - 65 MHz
HIPOT (minimum)	1500 Vrms	

Table 50: Bill of Materials (critical components)

Designator	Manufacturer	Manufacturer Part Number
FB1	TDK	MMZ1005B800C
D1, D2	On Semiconductor	ESD7L5.0DT5G
J1	Wurth Electronics	7499211121A
Q1	On Semiconductor Fairchild Semiconductor	MMBT2907ALT1G MMBT2907A

APPENDIX D Importance of Antenna Selection

An antenna behaves both as a spatial and frequency filter, therefore, selecting the right GNSS antenna is critical for optimizing performance. An antenna must match the receiver's capabilities and specifications, as well as meet size, weight, environmental and mechanical specifications for the intended application.

Factors to consider when choosing a GNSS antenna include:

1. Constellation and signals

Each GNSS constellation and SBAS has its own signal frequencies and bandwidths. An antenna must cover the signal frequencies transmitted by the constellation and bandwidth supported by the GNSS receiver.

2. Antenna gain

Gain is a key performance indicator of a GNSS antenna. Gain can be defined as the relative measure of an antenna's ability to direct or concentrate radio frequency energy in a particular direction or pattern. A minimum gain is required to achieve a minimum carrier-to-power-noise ratio (C/No) to track GNSS satellites. The antenna gain is directly related to the overall C/No of the navigation GNSS receivers. Hence, antenna gain helps define the tracking ability of the system.

3. Element Gain

The element gain defines how efficient the antenna element is at receiving the signals. In any signal chain, you are only as good as the weakest link, so an antenna element with low element gain might be compensated by an increased low noise amplifier gain. However, the signal-to-noise ratio or C/No is still degraded.

4. Antenna beamwidth and gain roll-off

Gain roll-off is a factor of beamwidth, and specifies how much the gain changes over the elevation angle of the antenna. From the antenna's point of view, the satellites rise from the horizon towards zenith and fall back to the horizon. The variation in gain between zenith (directly overhead) and the horizon is known as the gain roll-off. Different antenna technologies have different gain roll-off characteristics.

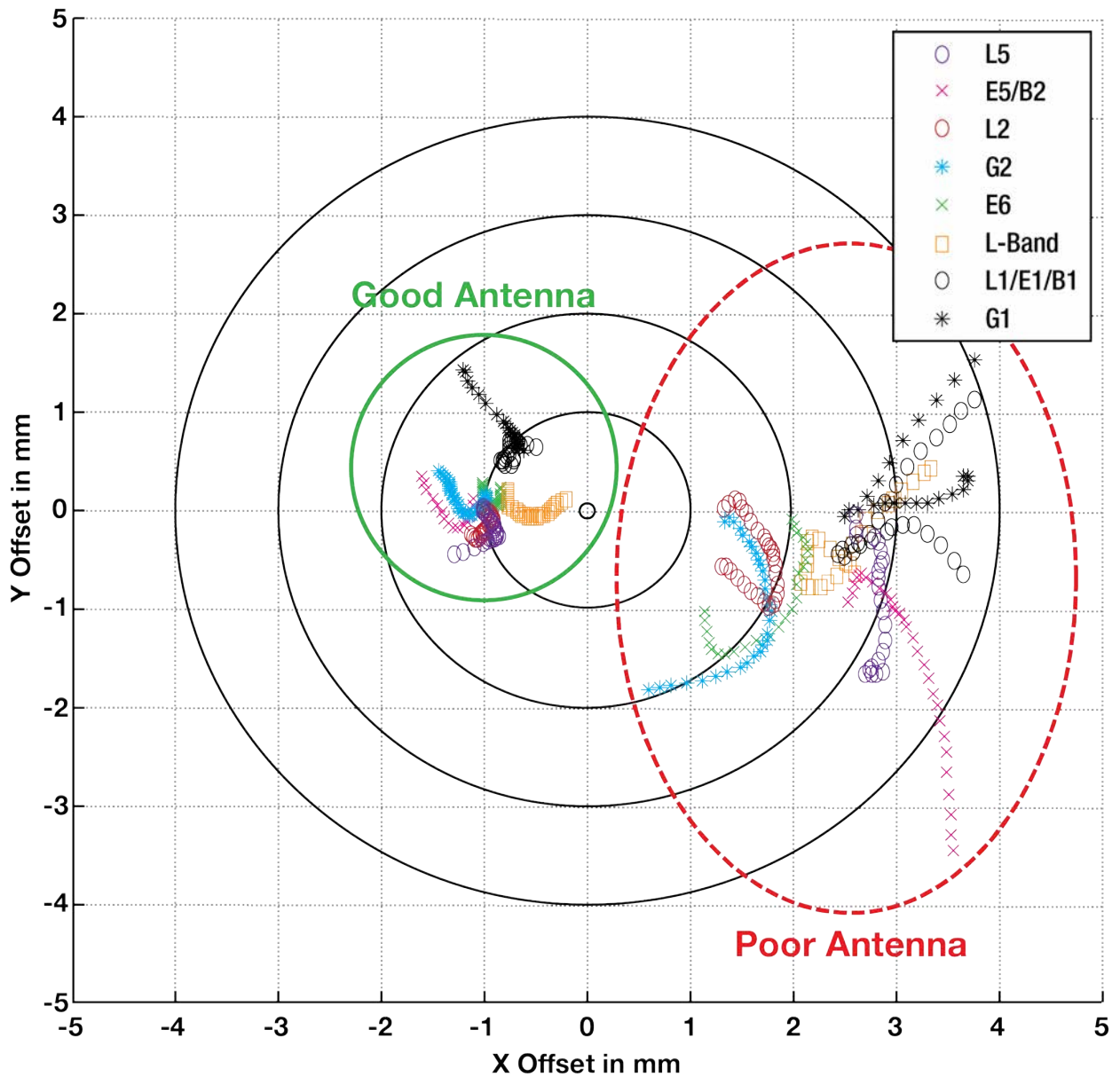
5. Phase center stability

The phase center of the antenna is the point where the signals transmitted from satellites are collected. When a receiver reports a location fix, that location is essentially the phase center of the antenna.

The electrical phase center of any antenna will vary with the position of the transmitting signal it is receiving by as much as a few millimetres. As GNSS satellites move across the sky, the electrical phase center of the signal received will typically move with the satellite position unless the antenna has been carefully designed to minimize Phase Center Offset (PSO) and Phase Center Variation (PCV).

The PCO with respect to the Antenna Reference Point (ARP) is the difference between the mechanical center of antenna rotation and electrical phase center location. The PCO is also frequency dependent which means that there can be a different offset for each signal frequency. The PCV identifies how much the phase center moves with respect to the satellite elevation angles.

Figure 59: Plot of Good and Poor Antenna Phase Center Variation over Elevation Angle 0-90°



Many users can accept accuracies of less than a metre so these small phase center variations cause a negligible amount of position error. But if you require high precision, Real Time Kinematic (RTK) receivers can achieve position accuracies of 2-4 cm and a few millimetres of phase center error translates to a 10-15% error in reported position. For RTK survey applications, geodetic grade antennas offer superior PCO/PCV performance.

6. The application

An antenna has to meet the performance, environmental, mechanical, and operational requirements of the intended application. For example, GNSS antennas used for aviation applications should ideally be TSO/FAA certified and be rugged enough to handle extreme

temperatures and vibration profiles. Survey rover antennas should be able to survive rough handling by surveyors including a pole drop.

The table below highlights some of the important desirable features needed for a GNSS antenna based upon the user’s application.

Desirable Feature	Survey	GIS	Reference Station	Aviation/Aerial Survey	Marine	Construction/Mining	Precision Agriculture	Vehicle Tracking	Dock Operations	Unmanned Aircraft	Unmanned Vehicle	Timing
Low Profile				•		•		•		•		
Ultra-low PCO/PCV	•		•									
Low PCO/PCV		•		•		•	•			•	•	
High Vibration				•		•	•		•	•	•	
Rugged	•	•	•			•			•			
Single Frequency												•
Multi Constellation	•	•	•	•	•	•	•		•	•	•	
Multi Frequency (RTK)	•	•	•		•	•	•		•	•	•	
L-band frequency (Correction Services)					•		•					
Narrow Bandwidth												•
Weatherproof	•	•	•	•	•	•	•	•	•	•	•	•
Corrosion Resistant			•		•	•			•			•
High Multipath Suppression	•		•		•	•	•		•		•	
Pole Mount	•	•	•		•	•			•			•
Magnetic/Surface Mount						•	•	•	•		•	
TSO/FAA Certification				•						•		
Extended Temperature Range			•	•						•		
Small Form-factor/ Lightweight		•								•		
High Altitude Operation			•	•						•		

APPENDIX E Accessories and Replacement Parts

The following tables list the replacement parts available for your NovAtel OEM7 receiver. For assistance or to order additional components, contact your local NovAtel dealer or Customer Support.

Table 51: Accessories

NovAtel Part	Part Description
High Performance Antennas	
GNSS-501	GPS L1, GLONASS L1, BeiDou B1, Galileo E1 and L-Band
GNSS 502	GPS L1/L2, GLONASS L1/L2, BeiDou B1/B2, Galileo E1/E5b and L-Band
GNSS-802	GPS L1/L2, GLONASS L1/L2, BeiDou B1 and Galileo E1
GNSS-802L	GPS L1/L2, GLONASS L1/L2, BeiDou B1, Galileo E1 and L-Band
GNSS-804	GPS L1/L2, GLONASS L1/L2, BeiDou B1/B2 and Galileo E1/E5b
GNSS-804L	GPS L1/L2, GLONASS L1/L2, BeiDou B1/B2, Galileo E1/E5b and L-Band
GNSS-850	GPS L1/L2/L5, GLONASS L1/L2/L3, BeiDou B1/B2/B3, Galileo E1/E5a/E5b/E6 and L-Band
Compact Antennas	
ANT-35C50P1GLA-TW-N	Model 35C50P1GLA (L1/GLONASS/L-Band)
ANT-26C1GA-TBW-N	Model 26C1GA (L1)
42G1215A-XT-1-2 and 42G1215A-XT-1-3	Model 42G1215A (L1/L2/L-Band)
ANT-C2GA-TW-N	Model C2GA (L1/L2)
42G1215A-XT-1	Model 42G1215A (L1/L2)
RF Antenna Cable	
GPS-C006	5 metres
GPS-C016	15 metres
GPS-C032	30 metres
Receiver Card Mounting Accessories	
01019518	7 mm rail for OEM719 and OEM7700
01019519	10 mm rail for OEM719 and OEM7700
01019634	12 mm rail for OEM719

E.1 Manufacturers' Part Numbers

The following original manufacturer's part numbers are provided for information only and are not available from NovAtel as separate parts.

Product	Part Description	Part Number
OEM719 card (Figure 9: OEM719 Connector and Indicator Locations on page 29)	J201, MCX jack receptacle	Johnson 133-3711-202 Samtec MCX-J-P-H-ST-SM1
	P1701, 2 x 10 header, 2 mm pitch	Samtec TMM-110-03-G-D
OEM729 card (Figure 10: OEM729 Connector and Indicator Locations on page 30)	J201 & J1901, MMCX jack receptacle	Johnson 135-3701-201 Samtec RSP-149374-01
	P1802, 2x12 header, 2 mm pitch	Samtec TMM-112-03-G-D
	P1803, 2x8 header, 2 mm pitch	Samtec TMM-108-03-G-D
OEM7700 card (Figure 11: OEM7700 Connector and Indicator Locations on page 31)	J201, MMBX jack receptacle	HUBER + SUHNER 82_MMBX-S50-0-1/111 NE
	P2001, 60 pin connector	Samtec ASP-189258-01



See Table 2: OEM7 Communication and I/O Connectors on page 28 for the part number of the mating connector for P2001.

APPENDIX F Electrostatic Discharge (ESD) Practices

Various electrical and electronic components are vulnerable to ESD. These include discrete components, hybrid devices, Integrated Circuits (ICs) and Printed Circuit Boards (PCBs) assembled with these devices.

F.1 Handling ESD Sensitive Devices

ESD sensitive devices must only be handled in static controlled locations. Some recommendations for such handling practices follow:

- Handling areas must be equipped with a grounded table, floor mats and wrist strap.
- A relative humidity level must be maintained between 20% and 80% non-condensing.
- No ESD sensitive board or component should be removed from its protective package, except in a static controlled location.
- A static controlled environment and correct static control procedures are required at both repair stations and maintenance areas.
- ESD sensitive devices must be handled only after personnel have grounded themselves via wrist straps and mats.
- Boards or components should never come in contact with clothing, because normal grounding cannot dissipate static charges on fabrics.
- A circuit board must be placed into a static shielding bag or clamshell before being removed from the work location and must remain in the protective enclosure until it arrives at a static controlled repair/test center.
- Circuit boards must not be changed or moved needlessly. Handles may be provided on circuit boards for use in their removal and replacement; care should be taken to avoid contact with the connectors and components.
- On-site repair of ESD sensitive equipment should not be undertaken except to restore service in an emergency where spare boards are not available. Under these circumstances repair station techniques must be observed. Under normal circumstances a faulty or suspect circuit board must be sent to a repair center having complete facilities or to the manufacturer for exchange or repair.
- Where protective measures have not been installed, a suitable alternative would be the use of a Portable Field Service Grounding Kit (for example, 3M Kit #8501 or #8507). This consists of a portable mat and wrist strap which must be attached to a suitable ground.
- A circuit board in a static shielding bag or clamshell may be shipped or stored in a cardboard carton, but the carton must not enter a static controlled area such as a grounded or dissipative bench top or repair zone. Do not place anything else inside the bag (for example, repair tags).
- Treat all PCBs and components as ESD sensitive. Assume that you will damage the PCB or component if you are not ESD conscious.
- Do not use torn or punctured static-shielding bags. A wire tag protruding through the bag could act as a "lightning rod", funneling the entire charge into the components inside the bag.

- Do not allow chargeable plastics, such as binders, within 0.6 m of unshielded PCBs.
- Do not allow a PCB to come within 0.3 m of a computer monitor.

F.2 Prime Static Accumulators

Table 52: *Static-Accumulating Materials* below provides some background information on static accumulating materials.

Table 52: Static-Accumulating Materials

Work Surfaces	<ul style="list-style-type: none"> • formica (waxed or highly resistive) • finished wood • synthetic mats • writing materials, note pads and so on
Floors	<ul style="list-style-type: none"> • wax-finished • vinyl
Clothes	<ul style="list-style-type: none"> • common cleanroom smocks • personal garments (all textiles) • non-conductive shoes
Chairs	<ul style="list-style-type: none"> • finished wood • vinyl • fiberglass
Packing and handling	<ul style="list-style-type: none"> • common polyethylene bags, wraps, envelopes and bubble pack • pack foam • common plastic trays and tote boxes
Assembly, cleaning and repair areas	<ul style="list-style-type: none"> • spray cleaners • vacuum desoldering iron • common soldering irons • common solvent brushes (synthetic bristles) • cleaning, drying and temperature chambers

F.3 Handling Printed Circuit Boards

ESD damage to unprotected sensitive devices may occur at any time. ESD events can occur far below the threshold of human sensitivity. Follow this sequence when it becomes necessary to install or remove a circuit board:

1. After you are connected to the grounded wrist strap, remove the circuit board from the frame and place it on a static controlled surface (grounded floor or table mat).
2. Remove the replacement circuit board from the static-shielding bag or clamshell and insert it into the equipment.

3. Place the original board into the shielding bag or clamshell and seal it with a label.
4. Do not put repair tags inside the shielding bag or clamshell.
5. Disconnect the wrist strap.

